

# CITY MULTI <sup><ORIGINAL></sup>

Air-Conditioners For Building Application

## OUTDOOR UNIT

**PURY-P-TNU-A (-BS)**

**PURY-P-YNU-A (-BS)**

**PURY-EP-TNU-A (-BS)**

**PURY-EP-YNU-A (-BS)**

**For use with R410A**

### INSTALLATION MANUAL

For safe and correct use, please read this installation manual thoroughly before installing the air-conditioner unit.

### MANUEL D'INSTALLATION

Veillez lire le manuel d'installation en entier avant d'installer ce climatiseur pour éviter tout accident et vous assurer d'une utilisation correcte.

### MANUAL DE INSTALACIÓN

Para un uso seguro y correcto, lea detalladamente este manual de instalación antes de montar la unidad de aire acondicionado.

GB

F

E





# CONTENTS

---

<b>1. Safety precautions</b> .....	<b>2</b>
1-1. General precautions.....	2
1-2. Precautions for transporting the unit.....	3
1-3. Precautions for unit installation.....	3
1-4. Precautions for piping work.....	4
1-5. Precautions for electrical wiring .....	4
1-6. Precautions for relocating or repairing the unit .....	5
1-7. Additional precautions.....	5
<b>2. About the product</b> .....	<b>7</b>
<b>3. Combination of outdoor units</b> .....	<b>7</b>
<b>4. Specifications</b> .....	<b>8</b>
<b>5. Package contents</b> .....	<b>11</b>
<b>6. Transporting the unit</b> .....	<b>12</b>
<b>7. Installation location</b> .....	<b>13</b>
7-1. Single unit installation .....	13
7-2. Multiple unit installation.....	14
<b>8. Foundation work</b> .....	<b>15</b>
<b>9. Refrigerant piping work</b> .....	<b>16</b>
9-1. Restrictions .....	16
9-2. Pipe selection.....	18
9-3. Twinning kit selection .....	18
9-4. Pipe connection example.....	19
9-5. Piping connections and valve operations .....	22
9-6. Air-tightness test .....	24
9-7. Thermal insulation for pipes.....	25
9-8. Evacuation of the system.....	26
9-9. Additional refrigerant charge.....	27
<b>10. Electrical work</b> .....	<b>33</b>
10-1. Before electrical work.....	33
10-2. Power cables and device capacity.....	33
10-3. Control cable specifications .....	36
10-4. System configuration .....	37
10-5. Wiring connections in the control box .....	39
10-6. Address setting .....	44
<b>11. Test run</b> .....	<b>45</b>
11-1. Before a test run.....	45
11-2. Function setting.....	46
11-3. Operation characteristics in relation to the refrigerant charge .....	46
11-4. Operation check.....	47
<b>12. Inspection and maintenance</b> .....	<b>47</b>
<b>13. Rating plate information</b> .....	<b>48</b>

# 1. Safety precautions

- ▶ Read and observe the safety precautions below and the instructions provided on the labels affixed to the unit.
- ▶ Retain this manual for future reference. Make sure that this manual is passed on to the end users.
- ▶ All refrigerant piping work, electrical work, air-tightness test, and brazing work must be performed by qualified personnel.
- ▶ Incorrect use may result in serious injury.

 <b>WARNING</b>	: indicates a hazardous situation which, if not avoided, could result in death or serious injury.
 <b>CAUTION</b>	: indicates a hazardous situation which, if not avoided, could result in minor or moderate injury.
<b>CAUTION</b>	: addresses practices not related to personal injury, such as product and/or property damage.

## 1-1. General precautions

### **WARNING**

**Do not use any refrigerant other than the type indicated in the manuals for the unit and on the nameplate.**

- Doing so will cause the unit or pipes to burst, or result in an explosion or fire during use, during repairs, or at the time of disposal of the unit.
- It may also be in violation of applicable laws.
- MITSUBISHI ELECTRIC CORPORATION cannot be held responsible for malfunctions or accidents resulting from the use of the wrong type of refrigerant.

**Do not use the unit in an unusual environment.**

- If the unit is used in areas exposed to large amounts of oil, steam, organic solvents, or corrosive gases (such as ammonia, sulfuric compounds, or acids), or areas where acidic/alkaline solutions or special chemical sprays are used frequently, it may significantly reduce the performance and corrode the internal parts, resulting in refrigerant leakage, water leakage, injury, electric shock, malfunction, smoke, or fire.

**Do not change the settings of the safety or protection devices.**

- Forcing the unit to operate by disabling the safety devices, such as the pressure switch or the thermal switch, may result in bursting, fire, or explosion.
- Operating the unit with a safety device whose settings have been changed may result in bursting, fire, or explosion.
- Using safety devices other than those specified by Mitsubishi Electric may result in bursting, fire, or explosion.

**Do not alter or modify the unit.**

- Doing so will result in refrigerant leakage, water leakage, serious injury, electric shock, or fire.

**Do not wet the electrical parts.**

- Doing so may result in current leakage, electric shock, malfunction, or fire.

**Do not touch the electrical parts, switches, or buttons with wet fingers.**

- Doing so may result in electric shock, malfunction, or fire.

**Do not touch the refrigerant pipes and refrigerant line components with bare hands during and immediately after operation.**

- The refrigerant in the pipes will be very hot or very cold, resulting in frostbite or burns.

**Do not touch the electrical parts with bare hands during and immediately after operation.**

- Doing so may result in burns.

**Ventilate the room while servicing the unit.**

- If the refrigerant leaks, oxygen deficiency may result. If the leaked refrigerant comes in contact with a heat source, toxic gas will be generated.



---

**If you notice any abnormality (e.g., a burning smell), stop the operation, turn off the power switch, and consult your dealer.**

- Continuing the operation may result in electric shock, malfunction, or fire.

---

**Properly install all required covers and panels on the terminal box and the control box.**

- If dust or water enters the unit, this may result in electric shock or fire.

---

**Periodically check the unit base for damage.**

- If the damage is left uncorrected, the unit will fall and cause serious injury.

---

**Consult your dealer for the proper disposal of the unit.**

- The refrigerant oil and the refrigerant in the unit will pose a risk of environmental pollution, fire, or explosion.

---

**Do not make any modifications or alterations to the unit. Consult your dealer for repair.**

- Improper repair may result in water leakage, electric shock, smoke, or fire.

---

## **CAUTION**

**Children should be supervised to ensure that they do not play with the appliance.**

---

**Do not operate the unit with the panels and guards removed.**

- Rotating, hot, or high-voltage parts may cause injury, electric shock, or fire.

---

**Do not touch fans, heat exchanger fins, or the sharp edges of components with bare hands.**

- Doing so may result in injury.

---

**Wear protective gloves when working on the unit.**

- Failure to do so may result in injury.
- High-pressure pipes poses a risk of burns if touched with bare hands while the unit is in operation.

## **1-2. Precautions for transporting the unit**

---

### **WARNING**

**When lifting the unit, pass the slings through the four designated sling holes.**

- Improper lifting will cause the unit to topple or fall, resulting in serious injury.

---

### **CAUTION**

**Do not lift the unit with the PP bands that are used on some products.**

- Doing so may result in injury.

---

**Observe the restrictions on the maximum weight that a person can lift, which is specified in local regulations.**

- Failure to do so may result in injury.

## **1-3. Precautions for unit installation**

---

### **WARNING**

**Do not install the unit where combustible gas may leak.**

- If combustible gas accumulates around the unit, fire or explosion may result.

---

**Do not allow children to play with the packing materials.**

- Suffocation or serious injury may result.

---

**Cut up the packing materials before disposal.**

---

**All installation work must be performed by qualified personnel in accordance with this manual.**

- Improper installation may result in refrigerant leakage, water leakage, serious injury, electric shock, or fire.

---

**If the air conditioner is installed in a small room, take measures to prevent the refrigerant concentration from exceeding the safety limit in the event of refrigerant leakage.**

- Consult your dealer regarding the appropriate measures to prevent the allowable concentration from being exceeded. If the refrigerant leaks and the allowable concentration is exceeded, hazards due to a lack of oxygen in the room will result.

---

**Install the unit in accordance with the instructions to minimize the risk of damage from earthquakes and strong winds.**

- Improper installation will cause the unit to topple, resulting in serious injury.

---

**The unit must be securely installed on a structure that can sustain its weight.**

- Failure to do so will cause the unit to fall, resulting in serious injury.

---

## **CAUTION**

**Seal all openings around pipes and wires to keep out small animals, rainwater, or snow.**

- Failure to do so may result in current leakage, electric shock, or damage to the unit.

## **1-4. Precautions for piping work**

---

### **WARNING**

**Before heating the brazed sections, remove the gas and oil that are trapped in the pipes.**

- Failure to do so may generate fire, resulting in serious injury.

---

**Do not purge the air using refrigerant. Use a vacuum pump to evacuate the system.**

- Residual gas in the refrigerant lines will cause bursting of the pipes or an explosion.

---

**Do not use oxygen, flammable gas, or a refrigerant containing chlorine for air-tightness testing.**

- Doing so may result in an explosion. Chlorine will deteriorate the refrigerant oil.

---

**When installing or relocating the unit, do not allow air or any substance other than the specified refrigerant to enter the refrigerant lines.**

- Any substance other than the specified refrigerant may cause abnormally high pressure in the refrigerant lines, resulting in bursting of the pipes or an explosion.

---

**After the installation has been completed, check for refrigerant leaks.**

- If the refrigerant leaks, oxygen starvation may result. If the leaked refrigerant comes in contact with a heat source, toxic gas will be generated.

## **1-5. Precautions for electrical wiring**

---

### **WARNING**

**Include some slack in the power cables.**

- Failure to do so may break or overheat the cables, resulting in smoke or fire.

---

**Connections must be made securely and without tension on the terminals.**

- Improperly connected cables may break, overheat, or cause smoke or fire.

---

**Tighten all terminal screws to the specified torque.**

- Loose screws and contact failure may result in smoke or fire.

---

**Electrical work must be performed by qualified personnel in accordance with local regulations and the instructions provided in this manual. Only use the specified cables and dedicated circuits.**

- Inadequate power source capacity or improper electrical work will result in electric shock, malfunction, or fire.

---

**Install an inverter circuit breaker on the power supply of each unit.**

- Failure to do so may result in electric shock or fire.

---

**Only use properly rated breakers (an earth leakage breaker, local switch <a switch + fuse that meets local electrical codes>, or overcurrent breaker).**

- Failure to do so may result in electric shock, malfunction, smoke, or fire.

---

**Only use standard power cables of sufficient capacity.**

- Failure to do so may result in current leakage, overheating, smoke, or fire.
- 

**Proper grounding must be provided by qualified personnel.**

- Improper grounding may result in electric shock, fire, explosion, or malfunction due to electrical noise. Do not connect the ground wire to gas or water pipes, lightning rods, or telephone ground wires.
- 

## CAUTION

**After the wiring work has been completed, measure the insulation resistance, and make sure that it reads at least 1 MΩ.**

- Failure to do so may result in electric leakage, malfunction, or fire.
- 

## 1-6. Precautions for relocating or repairing the unit

### WARNING

**Only qualified personnel must relocate or repair the unit. Do not attempt to disassemble or alter the unit.**

- Failure to do so will result in refrigerant leakage, water leakage, serious injury, electric shock, or fire.
- 

**Do not service the unit in the rain.**

- Doing so may result in electric leakage, electric shock, wire shorting, malfunction, smoke, or fire.
- 

## 1-7. Additional precautions

### CAUTION

**Do not turn off the power immediately after stopping operation.**

- Wait for at least five minutes after the unit has stopped before turning off the power. Failure to do so may result in drain water leakage or the mechanical failure of sensitive parts.
- 

**The unit must be periodically inspected by a dealer or qualified personnel.**

- If dust or dirt accumulates inside the unit, the drain pipes may become clogged, and water leakage from the pipes may wet the surroundings and generate odours.
- 

**Turn on the power at least 12 hours before starting operation. Keep the power turned on throughout the operating season.**

- Insufficient energizing will result in malfunction.
- 

**Do not use the air conditioner for special purposes (e.g. keeping food, animals, plants, precision devices, or art objects in a room).**

- Such items could be damaged or deteriorated.
- 

**Collect the refrigerant and properly dispose of it in accordance with local regulations.**

---

**Do not install the unit on or over items that are subject to water damage.**

- When the room humidity exceeds 80% or if the drain pipe is clogged, condensation may collect and drip from the indoor unit onto the ceiling or floor.
- 

**Drain piping must be installed by a dealer or qualified personnel to ensure proper drainage.**

- Improper drain piping may cause water leakage, resulting in damage to furniture and other surroundings.
- 

**Take appropriate measures against electrical noise interference when installing the unit in hospitals or radio communication facilities.**

- Inverter, high-frequency medical, or wireless communication equipment as well as power generators may cause the air conditioning system to malfunction. The air conditioning system may also adversely affect the operation of these types of equipment by creating electrical noise.
- 

**Insulate pipes to prevent condensation.**

- Condensation may collect and drip from the unit onto the ceiling or floor.
- 

**Keep the service valves closed until refrigerant charging is completed.**

- Failure to do so will damage the unit.
-

---

**Place a wet towel on the service valves before brazing the pipes to keep the temperature of the valves from rising above 120°C (248°F).**

- Failure to do so may result in equipment damage.

---

**Keep the flame out of contact with the cables and metal sheet when brazing the pipes.**

- Failure to do so may result in burnout or malfunction.

---

**Use the following tools specifically designed for use with the specified refrigerant: Gauge manifold, charge hose, gas leak detector, check valve, refrigerant charge base, vacuum gauge, and refrigerant recovery equipment.**

- Gas leak detectors for conventional refrigerants will not react to a refrigerant that does not contain chlorine.
- If the specified refrigerant is mixed with water, refrigerant oil, or another refrigerant, the refrigerant oil will deteriorate and the compressor will malfunction.

---

**Use a vacuum pump with a check valve.**

- If the vacuum pump oil flows back into the refrigerant lines, the refrigerant oil may deteriorate and the compressor may malfunction.

---

**Keep tools clean.**

- If dust, dirt, or water accumulates on the charging hose or the flare processing tool, the refrigerant will deteriorate and the compressor will malfunction.

---

**Use refrigerant piping made of phosphorus deoxidized copper (copper and copper alloy seamless pipes) that meets local requirements. Pipe joints should also meet local requirements. Keep the inner and outer surfaces of the pipes clean and free of sulphur, oxides, dust/dirt, shaving particles, oils, moisture, or any other contaminants.**

- Contaminants on the inside of the refrigerant piping will cause the refrigerant oil to deteriorate and cause the compressor to malfunction.

---

**Store pipes indoors, and keep both ends of the pipes sealed until just before making a flare connection or brazing. (Store elbows and other joints in plastic bags.)**

- If dust, dirt, or water enters the refrigerant lines, the refrigerant oil will deteriorate and the compressor will malfunction.

---

**Braze the pipes with a nitrogen purge to avoid oxidation.**

- Oxidized flux inside the refrigerant pipes will cause the refrigerant oil to deteriorate and cause the compressor to malfunction.

---

**Do not use existing refrigerant piping.**

- The old refrigerant and refrigerant oil in the existing piping contain a large amount of chlorine, which will cause the refrigerant oil in the new unit to deteriorate and cause the compressor to malfunction.

---

**Charge refrigerant in a liquid state.**

- Charging refrigerant in the gaseous state will change the composition of the refrigerant and lead to a performance drop.

---

**Do not use a charging cylinder when charging refrigerant.**

- The use of a charging cylinder may change the composition of the refrigerant and lead to a performance drop.

---

**If a large electric current flows due to a malfunction or faulty wiring, earth-leakage breakers on the unit side and on the upstream side of the power supply system could both operate. Depending on the importance of the system, separate the power supply system or take protective coordination of breakers.**

---

**This appliance is intended to be used by expert or trained users in shops, in light industry and on farms, or for commercial use by lay persons.**

---

**This appliance is not intended for use by persons (including children) with reduced physical, sensory or mental capabilities, or lack of experience and knowledge, unless they have been given supervision or instruction concerning use of the appliance by a person responsible for their safety.**

---

**Only qualified personnel may touch the USB port in the control box.**

## 2. About the product

- The outdoor unit described in this manual is air-conditioning equipment that is designed only for human comfort.
- The numeric values in the unit model name (e.g., PURY-P\*\*\*TNU-A, PURY-P\*\*\*YNU-A, PURY-EP\*\*\*TNU-A, PURY-EP\*\*\*YNU-A) indicate the capacity index of the unit.
- This unit uses R410A refrigerant.

## 3. Combination of outdoor units

### (1) TNU models (208-230 V)

Outdoor unit model	Combination of outdoor units	
PURY-P72TNU-A(-BS)	-	-
PURY-P96TNU-A(-BS)	-	-
PURY-P120TNU-A(-BS)	-	-
PURY-P144TNU-A(-BS)	-	-
PURY-P168TNU-A(-BS)	-	-
PURY-P192TSNU-A(-BS)	PURY-P96TNU-A(-BS)	PURY-P96TNU-A(-BS)
PURY-P216TSNU-A(-BS)	PURY-P120TNU-A(-BS)	PURY-P96TNU-A(-BS)
PURY-P240TSNU-A(-BS)	PURY-P120TNU-A(-BS)	PURY-P120TNU-A(-BS)
PURY-P264TSNU-A(-BS)	PURY-P144TNU-A(-BS)	PURY-P120TNU-A(-BS)
PURY-P288TSNU-A(-BS)	PURY-P144TNU-A(-BS)	PURY-P144TNU-A(-BS)
PURY-P312TSNU-A(-BS)	PURY-P168TNU-A(-BS)	PURY-P144TNU-A(-BS)
PURY-P336TSNU-A(-BS)	PURY-P168TNU-A(-BS)	PURY-P168TNU-A(-BS)

Outdoor unit model	Combination of outdoor units	
PURY-EP72TNU-A(-BS)	-	-
PURY-EP96TNU-A(-BS)	-	-
PURY-EP120TNU-A(-BS)	-	-
PURY-EP144TNU-A(-BS)	-	-
PURY-EP168TNU-A(-BS)	-	-
PURY-EP192TNU-A(-BS)	-	-
PURY-EP192TSNU-A(-BS)	PURY-EP96TNU-A(-BS)	PURY-EP96TNU-A(-BS)
PURY-EP216TNU-A(-BS)	-	-
PURY-EP216TSNU-A(-BS)	PURY-EP120TNU-A(-BS)	PURY-EP96TNU-A(-BS)
PURY-EP240TNU-A(-BS)	-	-
PURY-EP240TSNU-A(-BS)	PURY-EP120TNU-A(-BS)	PURY-EP120TNU-A(-BS)
PURY-EP264TSNU-A(-BS)	PURY-EP144TNU-A(-BS)	PURY-EP120TNU-A(-BS)
PURY-EP288TSNU-A(-BS)	PURY-EP144TNU-A(-BS)	PURY-EP144TNU-A(-BS)
PURY-EP312TSNU-A(-BS)	PURY-EP168TNU-A(-BS)	PURY-EP144TNU-A(-BS)
PURY-EP336TSNU-A(-BS)	PURY-EP168TNU-A(-BS)	PURY-EP168TNU-A(-BS)
PURY-EP384TSNU-A(-BS)	PURY-EP192TNU-A(-BS)	PURY-EP192TNU-A(-BS)
PURY-EP432TSNU-A(-BS)	PURY-EP216TNU-A(-BS)	PURY-EP216TNU-A(-BS)

\* "Twinning Kit" is required to connect combination units on site.

### (2) YNU models (460 V)

Outdoor unit model	Combination of outdoor units	
PURY-P72YNU-A(-BS)	-	-
PURY-P96YNU-A(-BS)	-	-
PURY-P120YNU-A(-BS)	-	-
PURY-P144YNU-A(-BS)	-	-
PURY-P168YNU-A(-BS)	-	-
PURY-P192YSNU-A(-BS)	PURY-P96YNU-A(-BS)	PURY-P96YNU-A(-BS)
PURY-P216YSNU-A(-BS)	PURY-P120YNU-A(-BS)	PURY-P96YNU-A(-BS)
PURY-P240YSNU-A(-BS)	PURY-P120YNU-A(-BS)	PURY-P120YNU-A(-BS)
PURY-P264YSNU-A(-BS)	PURY-P144YNU-A(-BS)	PURY-P120YNU-A(-BS)
PURY-P288YSNU-A(-BS)	PURY-P144YNU-A(-BS)	PURY-P144YNU-A(-BS)
PURY-P312YSNU-A(-BS)	PURY-P168YNU-A(-BS)	PURY-P144YNU-A(-BS)
PURY-P336YSNU-A(-BS)	PURY-P168YNU-A(-BS)	PURY-P168YNU-A(-BS)

Outdoor unit model	Combination of outdoor units	
PURY-EP72YNU-A(-BS)	-	-
PURY-EP96YNU-A(-BS)	-	-
PURY-EP120YNU-A(-BS)	-	-
PURY-EP144YNU-A(-BS)	-	-
PURY-EP168YNU-A(-BS)	-	-
PURY-EP192YNU-A(-BS)	-	-
PURY-EP192YSNU-A(-BS)	PURY-EP96YNU-A(-BS)	PURY-EP96YNU-A(-BS)
PURY-EP216YNU-A(-BS)	-	-
PURY-EP216YSNU-A(-BS)	PURY-EP120YNU-A(-BS)	PURY-EP96YNU-A(-BS)
PURY-EP240YNU-A(-BS)	-	-
PURY-EP240YSNU-A(-BS)	PURY-EP120YNU-A(-BS)	PURY-EP120YNU-A(-BS)
PURY-EP264YSNU-A(-BS)	PURY-EP144YNU-A(-BS)	PURY-EP120YNU-A(-BS)
PURY-EP288YSNU-A(-BS)	PURY-EP144YNU-A(-BS)	PURY-EP144YNU-A(-BS)
PURY-EP312YSNU-A(-BS)	PURY-EP168YNU-A(-BS)	PURY-EP144YNU-A(-BS)
PURY-EP336YSNU-A(-BS)	PURY-EP168YNU-A(-BS)	PURY-EP168YNU-A(-BS)
PURY-EP384YSNU-A(-BS)	PURY-EP192YNU-A(-BS)	PURY-EP192YNU-A(-BS)
PURY-EP432YSNU-A(-BS)	PURY-EP216YNU-A(-BS)	PURY-EP216YNU-A(-BS)

\* "Twinning Kit" is required to connect combination units on site.

# 4. Specifications

## (1) TNU models

Model		PURY-P72TNU-A	PURY-P96TNU-A
Sound level <sup>*4 *5</sup>		56.5 dB <A>	58.5 dB <A>
External static pressure		0 Pa <sup>*2</sup>	
Indoor unit	Total capacity		50% to 150% <sup>*1</sup>
	Model		05 to 96
	Quantity	R2 system	1 to 18      1 to 24
Temperature range (Cooling)	Indoor	W.B.	+15.0°C to +24.0°C (+59.0°F to +75.0°F)
	Outdoor	D.B.	-5.0°C to +52.0°C (+23.0°F to +125.6°F)
Temperature range (Heating)	Indoor	D.B.	+15.0°C to +27.0°C (+59.0°F to +81.0°F)
	Outdoor	W.B.	-25.0°C to +15.5°C (-13.0°F to +60.0°F) <sup>*3</sup>

Model		PURY-P120TNU-A	PURY-P144TNU-A	PURY-P168TNU-A	PURY-P192TSNU-A	PURY-P216TSNU-A
Sound level <sup>*4 *5</sup>		60.0 dB <A>	65.0 dB <A>	62.5 dB <A>	58.5 dB <A>	60.0 dB <A>
External static pressure		0 Pa <sup>*2</sup>				
Indoor unit	Total capacity		50% to 150% <sup>*1</sup>			
	Model		05 to 96			
	Quantity		1 to 30	1 to 36	1 to 42	1 to 48
Temperature range (Cooling)	Indoor	W.B.	+15.0°C to +24.0°C (+59.0°F to +75.0°F)			
	Outdoor	D.B.	-5.0°C to +52.0°C (+23.0°F to +125.6°F)			
Temperature range (Heating)	Indoor	D.B.	+15.0°C to +27.0°C (+59.0°F to +81.0°F)			
	Outdoor	W.B.	-25.0°C to +15.5°C (-13.0°F to +60.0°F) <sup>*3</sup>			

Model		PURY-P240TSNU-A	PURY-P264TSNU-A	PURY-P288TSNU-A	PURY-P312TSNU-A	PURY-P336TSNU-A
Sound level <sup>*4 *5</sup>		60.0 dB <A>	65.0 dB <A>	65.0 dB <A>	62.5 dB <A>	62.5 dB <A>
External static pressure		0 Pa <sup>*2</sup>				
Indoor unit	Total capacity		50% to 150% <sup>*1</sup>			
	Model		05 to 96			
	Quantity		2 to 50	2 to 50	2 to 50	2 to 50
Temperature range (Cooling)	Indoor	W.B.	+15.0°C to +24.0°C (+59.0°F to +75.0°F)			
	Outdoor	D.B.	-5.0°C to +52.0°C (+23.0°F to +125.6°F)			
Temperature range (Heating)	Indoor	D.B.	+15.0°C to +27.0°C (+59.0°F to +81.0°F)			
	Outdoor	W.B.	-25.0°C to +15.5°C (-13.0°F to +60.0°F) <sup>*3</sup>			

Model		PURY-EP72TNU-A	PURY-EP96TNU-A
Sound level <sup>*4 *5</sup>		56.5 dB <A>	58.5 dB <A>
External static pressure		0 Pa <sup>*2</sup>	
Indoor unit	Total capacity		50% to 150% <sup>*1</sup>
	Model		05 to 96
	Quantity	R2 system	1 to 18      1 to 24
Temperature range (Cooling)	Indoor	W.B.	+15.0°C to +24.0°C (+59.0°F to +75.0°F)
	Outdoor	D.B.	-5.0°C to +52.0°C (+23.0°F to +125.6°F)
Temperature range (Heating)	Indoor	D.B.	+15.0°C to +27.0°C (+59.0°F to +81.0°F)
	Outdoor	W.B.	-25.0°C to +15.5°C (-13.0°F to +60.0°F)

Model		PURY-EP120TNU-A	PURY-EP144TNU-A	PURY-EP168TNU-A	PURY-EP192TNU-A	PURY-EP192TSNU-A
Sound level <sup>*4 *5</sup>		60.0 dB <A>	65.0 dB <A>	62.5 dB <A>	64.5 dB <A>	58.5 dB <A>
External static pressure		0 Pa <sup>*2</sup>				
Indoor unit	Total capacity		50% to 150% <sup>*1</sup>			
	Model		05 to 96			
	Quantity		1 to 30	1 to 36	1 to 42	1 to 48
Temperature range (Cooling)	Indoor	W.B.	+15.0°C to +24.0°C (+59.0°F to +75.0°F)			
	Outdoor	D.B.	-5.0°C to +52.0°C (+23.0°F to +125.6°F)			
Temperature range (Heating)	Indoor	D.B.	+15.0°C to +27.0°C (+59.0°F to +81.0°F)			
	Outdoor	W.B.	-25.0°C to +15.5°C (-13.0°F to +60.0°F)			

Model		PURY-EP216TNU-A	PURY-EP216TSNU-A	PURY-EP240TNU-A	PURY-EP240TSNU-A	PURY-EP264TSNU-A
Sound level <sup>*4 *5</sup>		66.5 dB <A>	60.0 dB <A>	67.5 dB <A>	60.0 dB <A>	65.0 dB <A>
External static pressure		0 Pa <sup>*2</sup>				
Indoor unit	Total capacity		50% to 150% <sup>*1</sup>			
	Model		05 to 96			
	Quantity		2 to 50	2 to 50	2 to 50	2 to 50
Temperature range (Cooling)	Indoor	W.B.	+15.0°C to +24.0°C (+59.0°F to +75.0°F)			
	Outdoor	D.B.	-5.0°C to +52.0°C (+23.0°F to +125.6°F)			
Temperature range (Heating)	Indoor	D.B.	+15.0°C to +27.0°C (+59.0°F to +81.0°F)			
	Outdoor	W.B.	-25.0°C to +15.5°C (-13.0°F to +60.0°F)			

Model	PURY-EP288TSNU-A		PURY-EP312TSNU-A	PURY-EP336TSNU-A	PURY-EP384TSNU-A	PURY-EP432TSNU-A
Sound level*4 *5	65.0 dB <A>		62.5 dB <A>	62.5 dB <A>	67.5 dB <A>	69.5 dB <A>
External static pressure			0 Pa*2			
Indoor unit	Total capacity		50% to 150%*1			
	Model		05 to 96			
	Quantity		2 to 50	2 to 50	2 to 50	2 to 50
Temperature range (Cooling)	Indoor	W.B.	+15.0°C to +24.0°C (+59.0°F to +75.0°F)			
	Outdoor	D.B.	-5.0°C to +52.0°C (+23.0°F to +125.6°F)			
Temperature range (Heating)	Indoor	D.B.	+15.0°C to +27.0°C (+59.0°F to +81.0°F)			
	Outdoor	W.B.	-25.0°C to +15.5°C (-13.0°F to +60.0°F)			

\*1 The maximum total capacity of indoor units operating simultaneously is 150%.

\*2 To enable the high static pressure setting, set the dipswitch on the main board as follows.

	SW6-5: ON	SW6-5: OFF
SW6-4: ON	80 Pa	60 Pa
SW6-4: OFF	30 Pa	0 Pa

\*3 When applying product below -20.0°C (-4.0°F), consult your design engineer for cold climate application best practices, including the use of a backup source for heating.

\*4 Cooling mode

\*5 The sound pressure level shown above indicates A-weighted sound pressure level. Although the sound pressure level in JIS has been changed to the sound power level (PWL), the value shown above indicates the sound pressure level measured by the conventional method for reference purpose.

## (2) YNU models

Model	PURY-P72YNU-A		PURY-P96YNU-A	
Sound level*4 *5	56.5 dB <A>		58.5 dB <A>	
External static pressure			0 Pa*2	
Indoor unit	Total capacity		50% to 150%*1	
	Model		05 to 96	
	Quantity	R2 system	1 to 18	1 to 24
Temperature range (Cooling)	Indoor	W.B.	+15.0°C to +24.0°C (+59.0°F to +75.0°F)	
	Outdoor	D.B.	-5.0°C to +52.0°C (+23.0°F to +125.6°F)	
Temperature range (Heating)	Indoor	D.B.	+15.0°C to +27.0°C (+59.0°F to +81.0°F)	
	Outdoor	W.B.	-25.0°C to +15.5°C (-13.0°F to +60.0°F)*3	

Model	PURY-P120YNU-A		PURY-P144YNU-A	PURY-P168YNU-A	PURY-P192YSNU-A	PURY-P216YSNU-A
Sound level*4 *5	60.0 dB <A>		65.0 dB <A>	62.5 dB <A>	58.5 dB <A>	60.0 dB <A>
External static pressure			0 Pa*2			
Indoor unit	Total capacity		50% to 150%*1			
	Model		05 to 96			
	Quantity		1 to 30	1 to 36	1 to 42	1 to 48
Temperature range (Cooling)	Indoor	W.B.	+15.0°C to +24.0°C (+59.0°F to +75.0°F)			
	Outdoor	D.B.	-5.0°C to +52.0°C (+23.0°F to +125.6°F)			
Temperature range (Heating)	Indoor	D.B.	+15.0°C to +27.0°C (+59.0°F to +81.0°F)			
	Outdoor	W.B.	-25.0°C to +15.5°C (-13.0°F to +60.0°F)*3			

Model	PURY-P240YSNU-A		PURY-P264YSNU-A	PURY-P288YSNU-A	PURY-P312YSNU-A	PURY-P336YSNU-A
Sound level*4 *5	60.0 dB <A>		65.0 dB <A>	65.0 dB <A>	62.5 dB <A>	62.5 dB <A>
External static pressure			0 Pa*2			
Indoor unit	Total capacity		50% to 150%*1			
	Model		05 to 96			
	Quantity		2 to 50	2 to 50	2 to 50	2 to 50
Temperature range (Cooling)	Indoor	W.B.	+15.0°C to +24.0°C (+59.0°F to +75.0°F)			
	Outdoor	D.B.	-5.0°C to +52.0°C (+23.0°F to +125.6°F)			
Temperature range (Heating)	Indoor	D.B.	+15.0°C to +27.0°C (+59.0°F to +81.0°F)			
	Outdoor	W.B.	-25.0°C to +15.5°C (-13.0°F to +60.0°F)*3			

Model	PURY-EP72YNU-A		PURY-EP96YNU-A	
Sound level*4 *5	56.5 dB <A>		58.5 dB <A>	
External static pressure			0 Pa*2	
Indoor unit	Total capacity		50% to 150%*1	
	Model		05 to 96	
	Quantity	R2 system	1 to 18	1 to 24
Temperature range (Cooling)	Indoor	W.B.	+15.0°C to +24.0°C (+59.0°F to +75.0°F)	
	Outdoor	D.B.	-5.0°C to +52.0°C (+23.0°F to +125.6°F)	
Temperature range (Heating)	Indoor	D.B.	+15.0°C to +27.0°C (+59.0°F to +81.0°F)	
	Outdoor	W.B.	-25.0°C to +15.5°C (-13.0°F to +60.0°F)	

Model	PURY-EP120YNU-A		PURY-EP144YNU-A	PURY-EP168YNU-A	PURY-EP192YNU-A	PURY-EP192YSNU-A
Sound level*4 *5	60.0 dB <A>		65.0 dB <A>	62.5 dB <A>	64.5 dB <A>	58.5 dB <A>
External static pressure			0 Pa*2			
Indoor unit	Total capacity		50% to 150%*1			
	Model		05 to 96			
	Quantity		1 to 30	1 to 36	1 to 42	1 to 48
Temperature range (Cooling)	Indoor	W.B.	+15.0°C to +24.0°C (+59.0°F to +75.0°F)			
	Outdoor	D.B.	-5.0°C to +52.0°C (+23.0°F to +125.6°F)			
Temperature range (Heating)	Indoor	D.B.	+15.0°C to +27.0°C (+59.0°F to +81.0°F)			
	Outdoor	W.B.	-25.0°C to +15.5°C (-13.0°F to +60.0°F)			

Model			PURY-EP216YNU-A	PURY-EP216YSNU-A	PURY-EP240YNU-A	PURY-EP240YSNU-A	PURY-EP264YSNU-A
Sound level <sup>*4 *5</sup>			66.5 dB <A>	60.0 dB <A>	67.5 dB <A>	60.0 dB <A>	65.0 dB <A>
External static pressure			0 Pa <sup>*2</sup>				
Indoor unit	Total capacity		50% to 150% <sup>*1</sup>				
	Model		05 to 96				
	Quantity		2 to 50	2 to 50	2 to 50	2 to 50	2 to 50
Temperature range (Cooling)	Indoor	W.B.	+15.0°C to +24.0°C (+59.0°F to +75.0°F)				
	Outdoor	D.B.	-5.0°C to +52.0°C (+23.0°F to +125.6°F)				
Temperature range (Heating)	Indoor	D.B.	+15.0°C to +27.0°C (+59.0°F to +81.0°F)				
	Outdoor	W.B.	-25.0°C to +15.5°C (-13.0°F to +60.0°F)				

Model			PURY-EP288YSNU-A	PURY-EP312YSNU-A	PURY-EP336YSNU-A	PURY-EP384YSNU-A	PURY-EP432YSNU-A
Sound level <sup>*4 *5</sup>			65.0 dB <A>	62.5 dB <A>	62.5 dB <A>	67.5 dB <A>	69.5 dB <A>
External static pressure			0 Pa <sup>*2</sup>				
Indoor unit	Total capacity		50% to 150% <sup>*1</sup>				
	Model		05 to 96				
	Quantity		2 to 50	2 to 50	2 to 50	2 to 50	2 to 50
Temperature range (Cooling)	Indoor	W.B.	+15.0°C to +24.0°C (+59.0°F to +75.0°F)				
	Outdoor	D.B.	-5.0°C to +52.0°C (+23.0°F to +125.6°F)				
Temperature range (Heating)	Indoor	D.B.	+15.0°C to +27.0°C (+59.0°F to +81.0°F)				
	Outdoor	W.B.	-25.0°C to +15.5°C (-13.0°F to +60.0°F)				

\*1 The maximum total capacity of indoor units operating simultaneously is 150%.

\*2 To enable the high static pressure setting, set the dipswitch on the main board as follows.

	SW6-5: ON	SW6-5: OFF
SW6-4: ON	80 Pa	60 Pa
SW6-4: OFF	30 Pa	0 Pa

\*3 When applying product below -20.0°C (-4.0°F), consult your design engineer for cold climate application best practices, including the use of a backup source for heating.

\*4 Cooling mode

\*5 The sound pressure level shown above indicates A-weighted sound pressure level. Although the sound pressure level in JIS has been changed to the sound power level (PWL), the value shown above indicates the sound pressure level measured by the conventional method for reference purpose.



# 5. Package contents

---

The table below lists all the parts and their quantities included in the package.

(1) P models

	Tie band
P72	2
P96	2
P120	2
P144	2
P168	2

(2) EP models

	Tie band
EP72	2
EP96	2
EP120	2
EP144	2
EP168	2
EP192	2
EP216	2
EP240	2

# 6. Transporting the unit

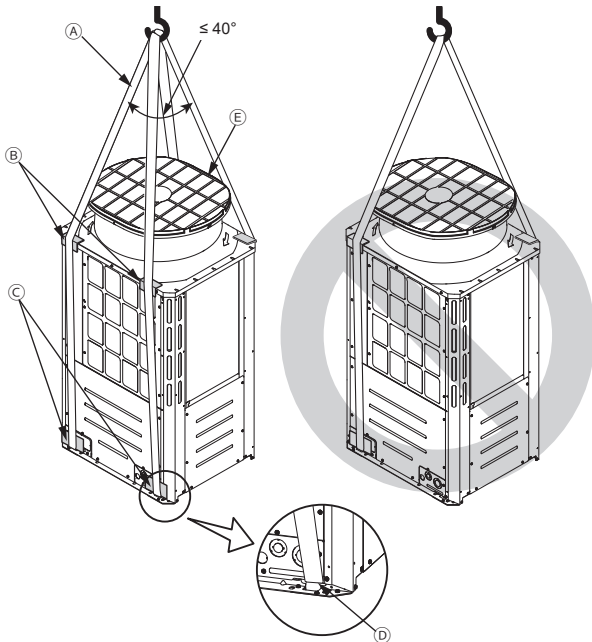
## WARNING

When lifting the unit, pass the slings through the four designated sling holes.

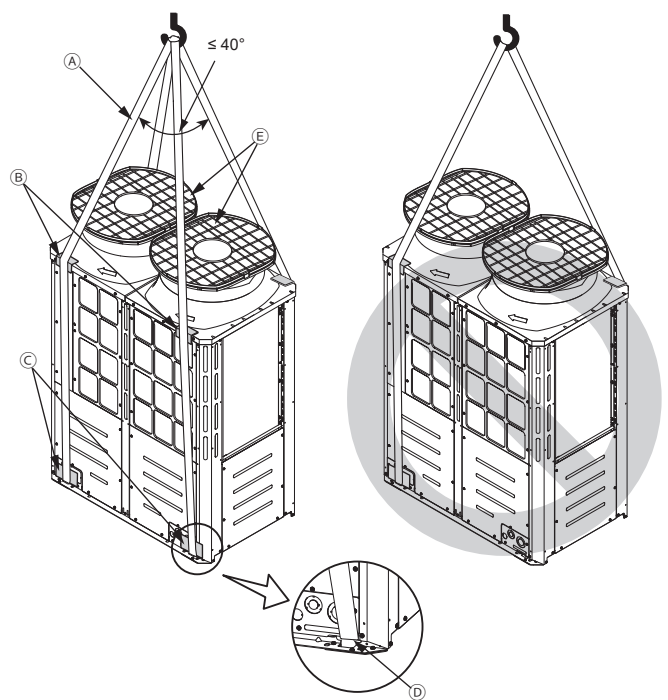
- Improper lifting will cause the unit to topple or fall, resulting in serious injury.

- Always use two slings to lift up the unit. Each sling must be at least 8 m (26 ft) long and must be able to support the weight of the unit.
- Put protective pads between slings and the unit where the slings touch the unit at the base to protect the unit from being scratched.
- Put 50 mm (2 in) or thicker protective pads between slings and the unit where the slings touch the unit at the top of the unit to protect the unit from being scratched and to avoid contact with the slings and the fan guard.
- Make sure that the angles between slings at the top are less than 40 degrees.

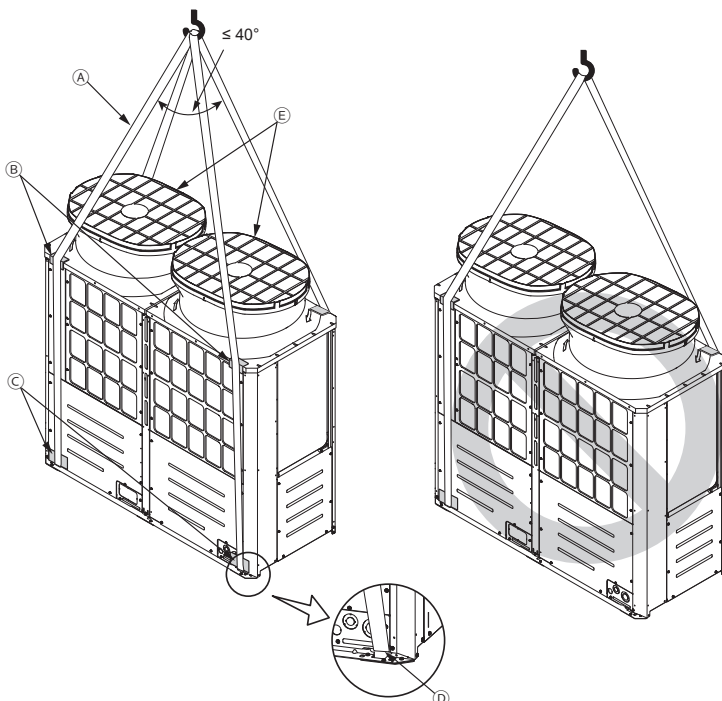
P72, EP72



P96, P120, P144, EP96, EP120, EP144



P168, EP168, EP192, EP216, EP240



- (A) Slings (Min. 8 m (26 ft) x 2)
- (B) Protective pads (Minimum thickness: 50 mm (2 in))  
(two each in the front and back)
- (C) Protective pads  
(two each in the front and back)
- (D) Sling holes  
(two each in the front and back)
- (E) Fan guard

# 7. Installation location

## ⚠ WARNING

**Do not install the unit where combustible gas may leak.**

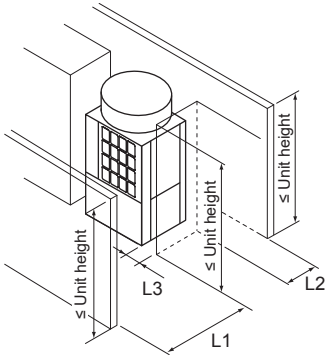
- If combustible gas accumulates around the unit, fire or explosion may result.

- Provide sufficient space around the unit for effective operation, efficient air movement, and ease of access for maintenance.
- Note that refrigerant gas is heavier than air and will therefore tend to collect in low spots such as basements.
- When an indoor unit that draws in outside air exits near the outdoor unit, be careful not to affect the normal operation of the indoor unit.
- When the amount of drain water is excessive, drain water comes out of the outdoor unit along the panel during heating operation. Provide sufficient space around the unit according to the instructions below.

### 7-1. Single unit installation

(1) When all walls are within their height limits\*.

[mm (in)]



\* Height limit

Front/Right/Left/Rear	Same height or lower than the overall height of the unit
-----------------------	--

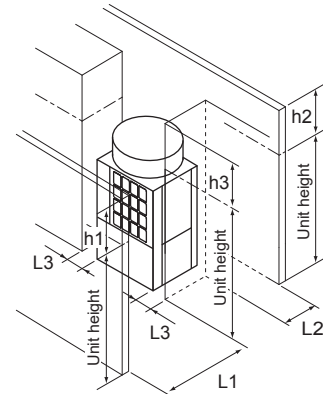
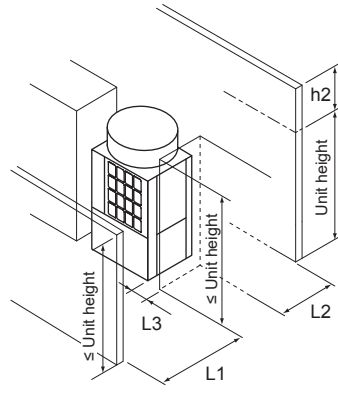
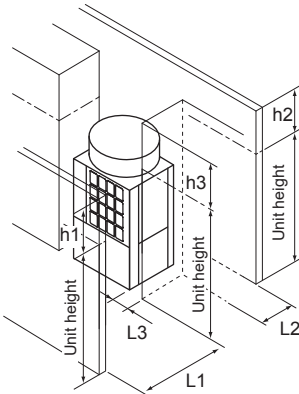
	Required minimum distance [mm (in)]		
	L1 (Front)	L2 (Rear)	L3 (Right/Left)
When the distance behind the unit (L2) needs to be small	450 (17-3/4)	100 (3-15/16)	50 (2)
When the distance to the right or left (L3) needs to be small	450 (17-3/4)	300 (11-13/16)	15 (5/8)

(2) When one or more walls exceed their height limits\*.

When the wall(s) at the front and/or the right/left exceed(s) their height limits

When the wall at the rear exceeds its height limit

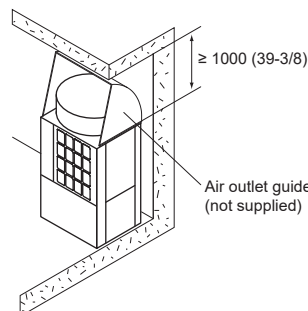
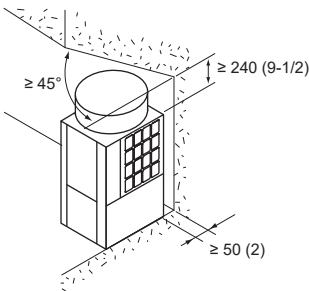
When all walls exceed their height limits



Add the dimension that exceeds the height limit (shown as "h1" through "h3" in the figures) to L1, L2, and L3 as shown in the table below.

	Required minimum distance [mm (in)]		
	L1 (Front)	L2 (Rear)	L3 (Right/Left)
When the distance behind the unit (L2) needs to be small	450 (17-3/4) + h1	100 (3-15/16) + h2	50 (2) + h3
When the distance to the right or left (L3) needs to be small	450 (17-3/4) + h1	300 (11-13/16) + h2	15 (5/8) + h3

(3) When there are overhead obstacles

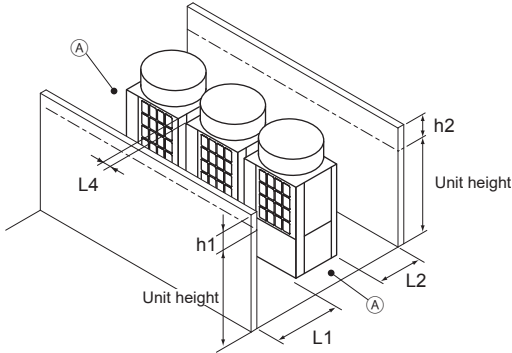


## 7-2. Multiple unit installation

- When installing multiple units, make sure to take into consideration factors such as providing enough space for people to pass through, ample space between blocks of units, and sufficient space for airflow. (The areas marked with Ⓐ in the figures below must be left open.)
- In the same way as with the single unit installation, add the dimension that exceeds the height limit (shown as "h1" through "h3" in the figures) to L1, L2, and L3 as shown in the tables below.
- If there are walls in the front and rear of the block of units, up to six units (P168, EP168, EP192, EP216, and EP240) can be installed consecutively side by side, and a space of 1000 mm (39-3/8 in) or more must be left between each block of six units.
- When the amount of drain water is excessive, drain water comes out of the outdoor unit along the panel during heating operation.

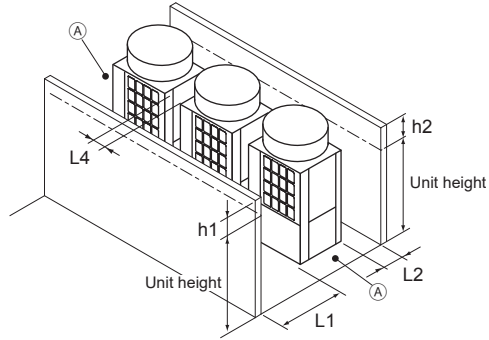
### (1) Side-by-side installation

When the distances between the units (L4) need to be small



Required minimum distance [mm (in)]		
L1 (Front)	L2 (Rear)	L4 (Between)
450 (17-3/4) + h1	300 (11-13/16) + h2	30 (1-3/16)

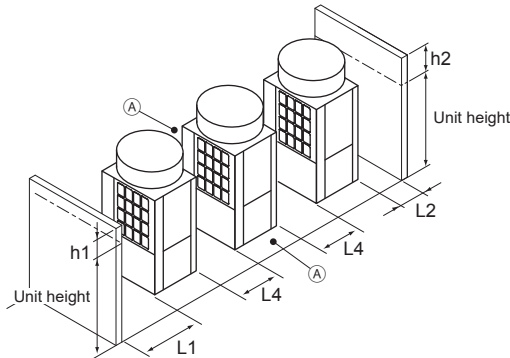
When the distance behind the block of units (L2) needs to be small



Required minimum distance [mm (in)]		
L1 (Front)	L2 (Rear)	L4 (Between)
450 (17-3/4) + h1	100 (3-15/16) + h2	100 (3-15/16)

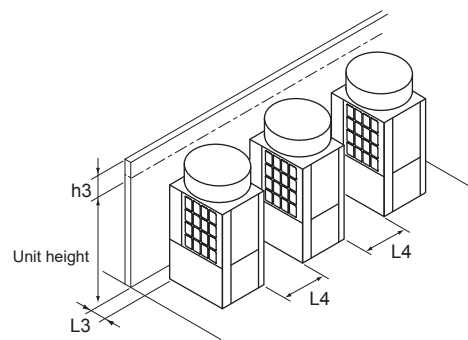
### (2) Face-to-face installation

When there are walls in the front and rear of the block of units



Required minimum distance [mm (in)]		
L1 (Front)	L2 (Rear)	L4 (Between)
450 (17-3/4) + h1	100 (3-15/16) + h2	450 (17-3/4)

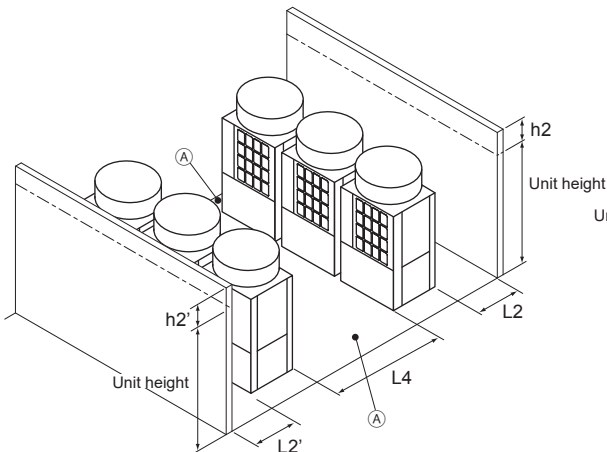
When there is a wall on either the right or left side of the block of units



Required minimum distance [mm (in)]	
L3 (Right/Left)	L4 (Between)
15 (5/8) + h3	450 (17-3/4)

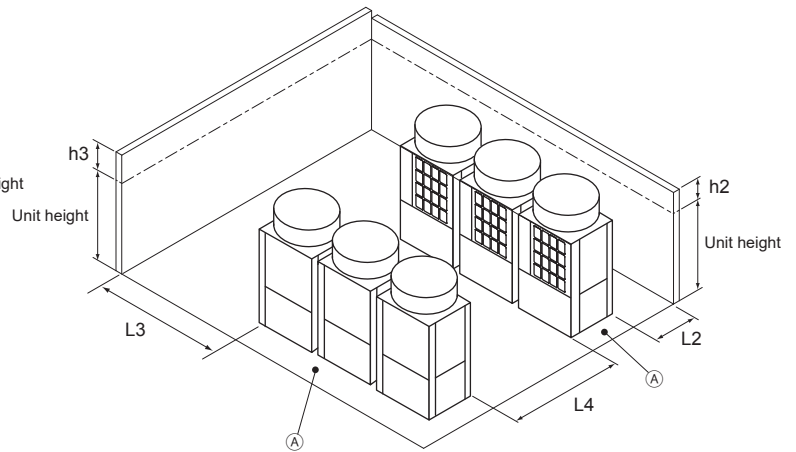
### (3) Combination of face-to-face and side-by-side installations

When there are walls in the front and rear of the block of units



Required minimum distance [mm (in)]		
L2 (Rear)	L2' (Rear)	L4 (Between)
300 (11-13/16) + h2	300 (11-13/16) + h2'	900 (35-7/16)

When there are two walls in an L-shape



Required minimum distance [mm (in)]		
L2 (Rear)	L3 (Right/Left)	L4 (Between)
300 (11-13/16) + h2	1000 (39-3/8) + h3	900 (35-7/16)

Ⓐ Leave open in two directions.

# 8. Foundation work

## WARNING

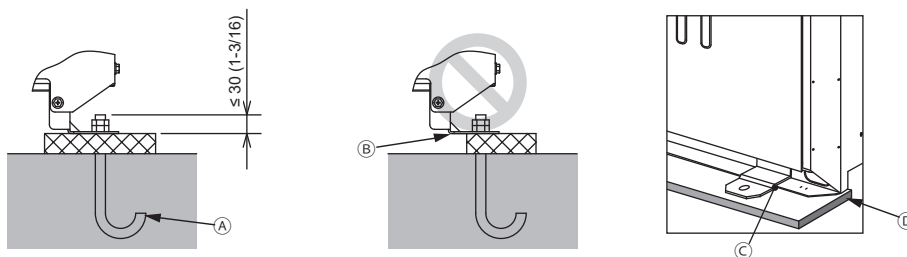
Install the unit in accordance with the instructions to minimize the risk of damage from earthquakes and strong winds.  
- Improper installation will cause the unit to topple, resulting in serious injury.

**The unit must be securely installed on a structure that can sustain its weight.**

- Failure to do so will cause the unit to fall, resulting in serious injury.

- When performing the foundation work, make sure that the floor surface has sufficient strength and carefully route pipes and wires in consideration of the water drainage that will be required when the unit is operated.
- If considering routing the pipes and wires across the bottom of the unit, make sure that the base is at least 100 mm (3-15/16 in) high so that the through-holes will not be blocked.
- Provide a strong base of concrete or angle iron. If a stainless steel base is used, insulate the area between the base and the outdoor unit by putting a rubber cushion or by applying an electrically insulated coating to prevent the base from rusting.
- Install the unit on a level surface.
- With some types of installation, unit vibration and sound will be transmitted to the floors and walls. In such locations, take measures to prevent vibration (such as using anti-vibration rubber pads).

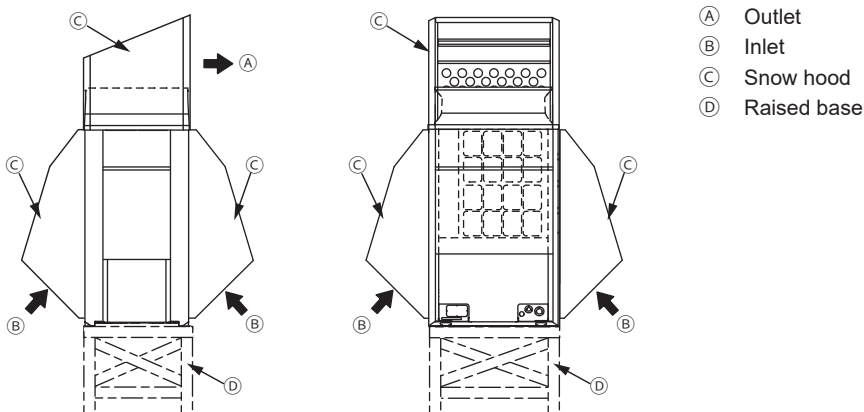
[mm (in)]



- (A) M10 anchor bolt (not supplied)
- (B) (Incorrect installation) The corner section is not securely received.
- (C) Fixing bracket for post-installed anchor bolts (not supplied) (To be fixed with three screws)
- (D) Anti-vibration rubber pad (The pad needs to be large enough to cover the entire width of each unit leg.)

- Make sure that the corner section is securely received. If not, the unit legs could bend.
- The length of the projecting part of the anchor bolt should be 30 mm (1-3/16 in) or less.
- This unit is not designed to be anchored with post-installed anchor bolts unless fixing brackets are installed at the bottom four locations (six locations for units P168, EP168, EP192, EP216, and EP240).
- In abnormally harsh environments such as cold and/or windy areas, sufficient countermeasures to guard against excessive wind and snow should be taken to ensure the unit's correct operation. When the unit is expected to operate in cooling mode in conditions under 10°C (50°F), in snowy areas, in environments subject to strong winds or rain, install snow hoods of the following specifications (not supplied) as shown in the figure below.

Material: Galvanized steel plate 1.2T  
Painting: Overall painting with polyester powder  
Color: Munsell 5Y8/1 (same as the unit color)  
Size: Refer to the Data Book.



- Install the unit so that the wind will not blow directly against the inlet and outlet.
- If necessary, install the unit on a raised base of the following specifications (not supplied) to prevent damage from snow.

Material: Angle iron (Build a structure that snow and wind can pass through.)  
Height: Expected maximum snowfall plus 200 mm (7-7/8 in)  
Width: Within the unit width (If the raised base is too wide, snow will accumulate on the raised base.)

- When the unit is used in a cold region and the heating operation is continuously performed for a long time when the outside air temperature is below freezing, install a heater on the raised base or take other appropriate measures to prevent water from freezing on the raised base.
- When installing a panel heater, provide sufficient space for maintenance accordingly. For details, refer to the Data Book or installation manual for the panel heater.

# 9. Refrigerant piping work

## **! WARNING**

**Do not use any refrigerant other than the type indicated in the manuals for the unit and on the nameplate.**

- Doing so will cause the unit or pipes to burst, or result in an explosion or fire during use, during repairs, or at the time of disposal of the unit.
- It may also be in violation of applicable laws.
- MITSUBISHI ELECTRIC CORPORATION cannot be held responsible for malfunctions or accidents resulting from the use of the wrong type of refrigerant.

**After the installation has been completed, check for refrigerant leaks.**

- If the refrigerant leaks, oxygen starvation may result. If the leaked refrigerant comes in contact with a heat source, toxic gas will be generated.

## **! CAUTION**

**Wear protective gloves when working on the unit.**

- Failure to do so may result in injury.
- High-pressure pipes poses a risk of burns if touched with bare hands while the unit is in operation.

## **CAUTION**

**Use the following tools specifically designed for use with the specified refrigerant: Gauge manifold, charge hose, gas leak detector, check valve, refrigerant charge base, vacuum gauge, and refrigerant recovery equipment.**

- Gas leak detectors for conventional refrigerants will not react to a refrigerant that does not contain chlorine.
- If the specified refrigerant is mixed with water, refrigerant oil, or another refrigerant, the refrigerant oil will deteriorate and the compressor will malfunction.

**Do not use existing refrigerant piping.**

- The old refrigerant and refrigerant oil in the existing piping contain a large amount of chlorine, which will cause the refrigerant oil in the new unit to deteriorate and cause the compressor to malfunction.

## 9-1. Restrictions

- Existing refrigerant piping must not be used because the design pressure for systems using R410A is higher than that for systems using other types of refrigerants.
- Do not install outdoor unit piping when it is raining.
- Do not use special detergents for washing piping.
- Always observe the restrictions on refrigerant piping (such as pipe size, pipe length, and vertical separation distance) to prevent equipment failure or a decline in heating/cooling performance.
- Do not install solenoid valves to prevent oil backflow and compressor start-up failure.
- Do not install a sight glass because it may show improper refrigerant flow. If a sight glass is installed, inexperienced technicians that use the glass may overcharge the refrigerant.
- The pipe from multiple outdoor units must be installed so that oil will not accumulate in the pipe under certain conditions. Refer to the figures below for details.

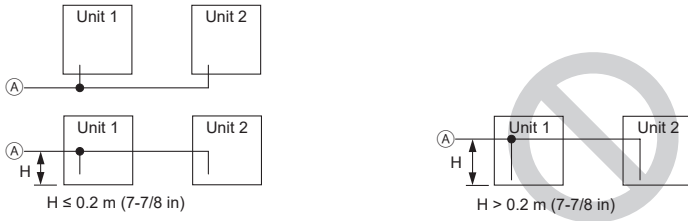
\* Small dots in the figures indicate branching points.

(A) To a BC controller

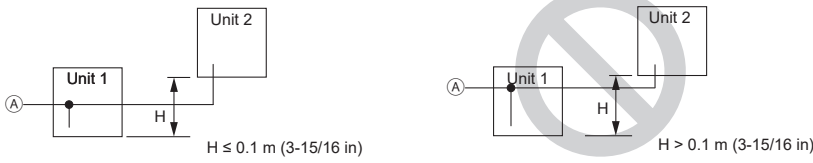
- (1) The pipe from the outdoor units must be inclined downward to the indoor unit side. In the figure on the right, because the pipe is inclined upward, the oil in the pipe accumulates when Unit 1 is in operation and Unit 2 is stopped.



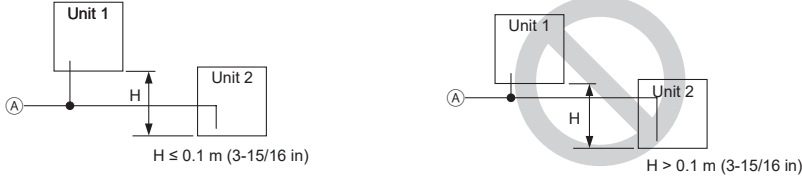
(2) The distance between the unit bottom and the pipe (H) must be 0.2 m (7-7/8 in) or below. In the figure on the right, because the distance is more than 0.2 m (7-7/8 in), the oil accumulates in Unit 1 when Unit 2 is in operation and Unit 1 is stopped.



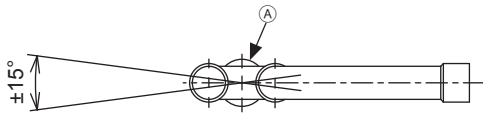
(3) The vertical separation between units (H) must be 0.1 m (3-15/16 in) or below. In the figure on the right, because the distance is more than 0.1 m (3-15/16 in), the oil accumulates in Unit 1 when Unit 2 is in operation and Unit 1 is stopped.



(4) The vertical separation between units (H) must be 0.1 m (3-15/16 in) or below. In the figure on the right, because the distance is more than 0.1 m (3-15/16 in), the oil accumulates in Unit 2 when Unit 1 is in operation and Unit 2 is stopped.

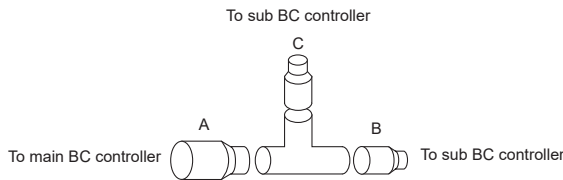


• Make sure that the inclination tolerance of the Twinning Kit is ±15° to the ground to avoid unit damage.



Ⓐ Twinning Kit

• Restriction on installing the 2-Branch Joint Pipe CMY-R201/202/203/204/205S-G on the high-pressure piping, low-pressure piping, and liquid piping.



- Regarding the 2-Branch Joint Pipe on the high-pressure/low-pressure/liquid piping, A and B must be installed horizontally, and C must be installed upward higher than the horizontal plane of A and B.

• If the length of the pipe between the branching point and the outdoor unit exceeds 2 m (6 ft), provide a trap within 2 m (6 ft) from the branching point.

The trap must be at least 200 mm (7-7/8 in) in height. (high-pressure pipe only) If there is no trap, oil can accumulate inside the pipe, causing a shortage of oil and may damage the compressor.

\* Small dots in the figures indicate branching points.



- Ⓐ To a BC controller
- Ⓑ Trap (high-pressure pipe only)
- Ⓒ High-pressure pipe

## 9-2. Pipe selection

### CAUTION

Use refrigerant piping made of phosphorus deoxidized copper (copper and copper alloy seamless pipes) that meets local requirements. Pipe joints should also meet local requirements. Keep the inner and outer surfaces of the pipes clean and free of sulphur, oxides, dust/dirt, shaving particles, oils, moisture, or any other contaminants.

- Contaminants on the inside of the refrigerant piping will cause the refrigerant oil to deteriorate and cause the compressor to malfunction.

Use refrigerant pipes for use with R410A refrigerant system. Piping for systems for use with other types of refrigerants may not be able to be used. Use refrigerant pipes with the thicknesses specified in the table below.

Size [mm (in)]	Minimum wall thickness [mm (in)]
ø6.35 (ø1/4)	0.67 (0.0265)
ø9.52 (ø3/8)	0.72 (0.0285)
ø12.7 (ø1/2)	0.72 (0.0285)
ø15.88 (ø5/8)	0.8 (0.0315)
ø19.05 (ø3/4)	0.98 (0.0385)
ø22.2 (ø7/8)	1.04 (0.0410)
ø25.4 (ø1)	1.17 (0.0460)
ø28.58 (ø1-1/8)	1.17 (0.0460)
ø31.75 (ø1-1/4)	1.28 (0.0505)
ø34.93 (ø1-3/8)	1.28 (0.0505)
ø41.28 (ø1-5/8)	1.41 (0.0555)

## 9-3. Twinning kit selection

Select appropriate twinning kits (sold separately), referring to the sections below.

\* Use an adapter, if necessary, to connect a refrigerant pipe to a twinning pipe of a different diameter.

### 9-3-1. 2-Branch Joint Pipe

A 2-Branch Joint Pipe is used to connect multiple indoor units to a port.

(1) R2 system

Total capacity of downstream indoor units	Kit model
72 or below	CMY-Y102SS-G2
73 to 96	CMY-Y102LS-G2

### 9-3-2. Joint Pipe Kit

A Joint Pipe Kit is used to connect an indoor unit of P72 model or above.

Indoor unit model	Kit model
P72 to P96	CMY-R160-J1

\* When connecting P72 through P96 models of indoor units to two ports, set the dipswitch SW4-6 on the BC controller to ON.

### 9-3-3. Outdoor unit twinning kit

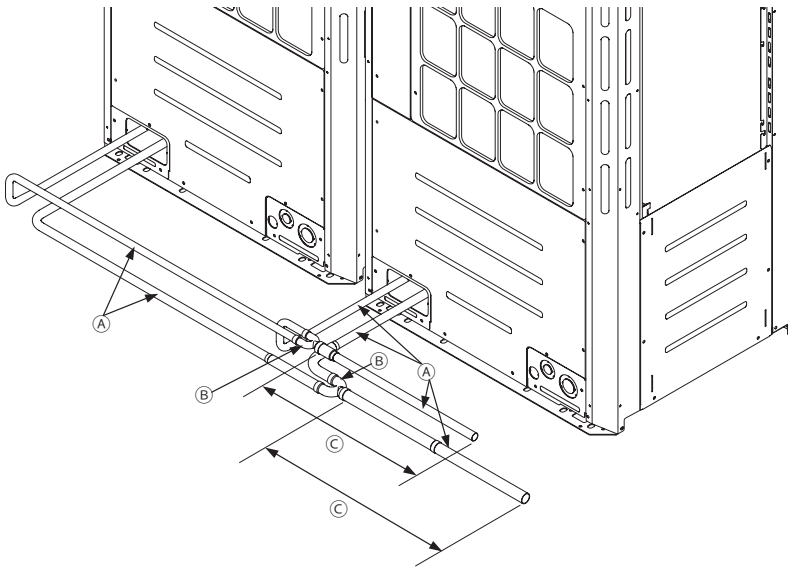
Outdoor unit twinning kit is used to combine multiple outdoor units.

Total capacity of outdoor units	Kit model
P192 to 240T/YSNU, EP192 to 240 T/YSNU	CMY-R200NCBK
P264 to 336T/YSNU, EP264 to 432 T/YSNU	CMY-R300NCBK



## 9-4. Pipe connection example

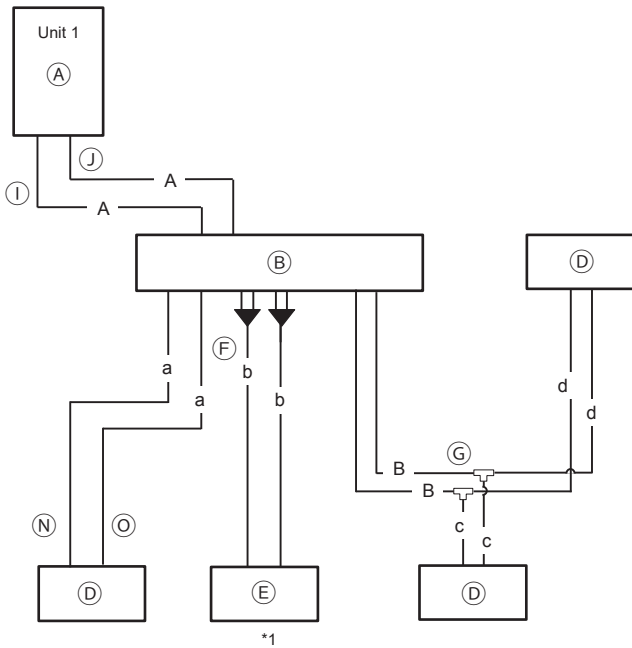
### 9-4-1. Example of pipe connection between outdoor units



- Ⓐ On-site piping
- Ⓑ Twining Kit
- Ⓒ The pipe section before the twinning pipe must have at least 500 mm (19-11/16 in) of straight section.

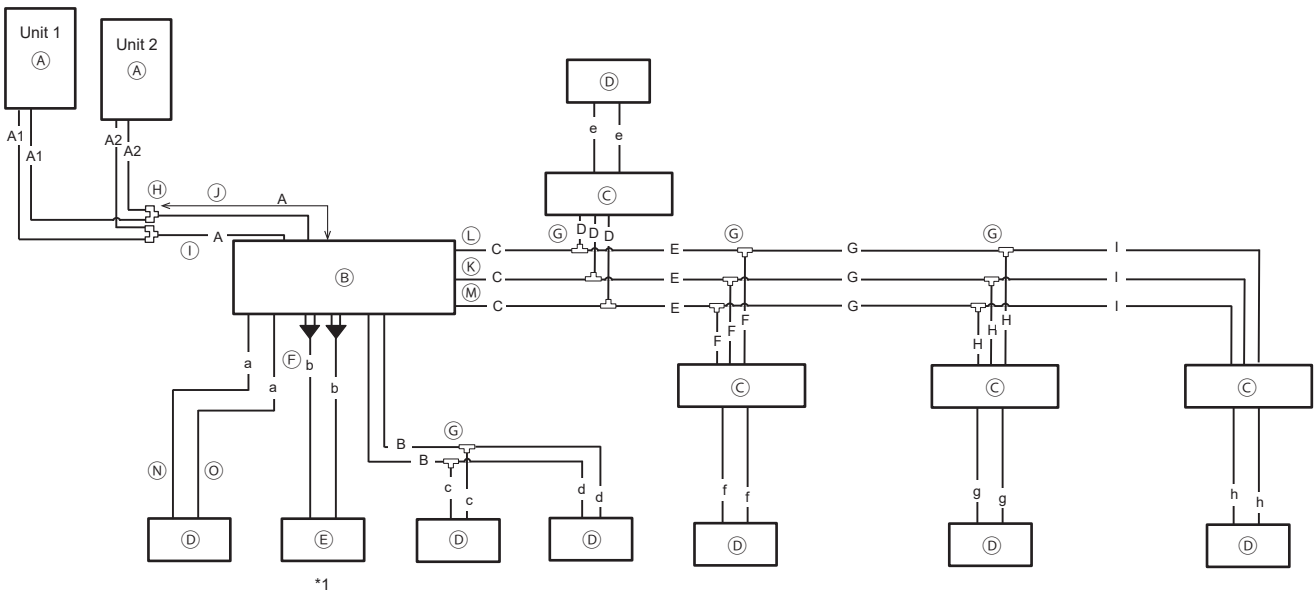
## 9-4-2. Example of pipe connection between an outdoor unit and BC controller, and between a BC controller and indoor unit (R2 system)

P72 to P168  
EP72 to EP240

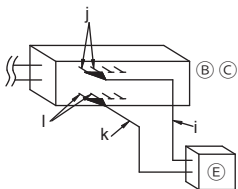


- Ⓐ Outdoor unit
- Ⓑ BC controller (Main)
- Ⓒ BC controller (Sub)
- Ⓓ Indoor unit (Total capacity of downstream indoor units: 05 to 30)
- Ⓔ Indoor unit (Total capacity of downstream indoor units: 72 to 96)
- Ⓕ Joint Pipe Kit
- Ⓖ 2-Branch Joint Pipe
- Ⓗ Outdoor unit twinning kit
- Ⓘ High-pressure pipe (A, A1, A2)
- Ⓝ Low-pressure pipe (A, A1, A2)
- Ⓚ High-pressure pipe (C, D, E, F, G, H, I)
- Ⓛ Low-pressure pipe (C, D, E, F, G, H, I)
- Ⓝ Liquid pipe (C, D, E, F, G, H, I)
- Ⓞ Liquid pipe (a, b, c, d, e, f, g, h)
- Ⓟ Gas pipe (a, b, c, d, e, f, g, h)

P192 to P336  
EP192 to EP432



\*1



\* Contact your dealer for pipe connection examples when connecting CMB-P\*\*NU-J1, CMB-P\*\*NU-JA1, CMB-P\*\*NU-KA1, or CMB-P\*\*NU-KB1.

Pipes A, A<sub>1</sub>, A<sub>2</sub>

[mm (in)]

Unit model	Combination unit		Pipe A		Pipe A <sub>1</sub> *1		Pipe A <sub>2</sub> *1	
	Unit 1	Unit 2	High-pressure	Low-pressure	High-pressure	Low-pressure	High-pressure	Low-pressure
P72T/YNU	-	-	ø15.88 (5/8)	ø19.05 (3/4)	-	-	-	-
P96T/YNU	-	-	ø19.05 (3/4)	ø22.2 (7/8)	-	-	-	-
P120T/YNU	-	-	ø19.05 (3/4)	ø28.58 (1-1/8)	-	-	-	-
P144T/YNU	-	-	ø22.2 (7/8)	ø28.58 (1-1/8)	-	-	-	-
P168T/YNU	-	-	ø22.2 (7/8)	ø28.58 (1-1/8)	-	-	-	-
P192T/YSNU	P96	P96	ø22.2 (7/8)	ø28.58 (1-1/8)	ø19.05 (3/4)	ø22.2 (7/8)	ø19.05 (3/4)	ø22.2 (7/8)
P216T/YSNU	P120	P96	ø22.2 (7/8)*2	ø28.58 (1-1/8)	ø19.05 (3/4)	ø28.58 (1-1/8)	ø19.05 (3/4)	ø22.2 (7/8)
P240T/YSNU	P120	P120	ø22.2 (7/8)*2	ø34.93 (1-3/8)	ø19.05 (3/4)	ø28.58 (1-1/8)	ø19.05 (3/4)	ø28.58 (1-1/8)
P264T/YSNU	P144	P120	ø28.58 (1-1/8)	ø34.93 (1-3/8)	ø22.2 (7/8)	ø28.58 (1-1/8)	ø19.05 (3/4)	ø28.58 (1-1/8)
P288T/YSNU	P144	P144	ø28.58 (1-1/8)	ø34.93 (1-3/8)	ø22.2 (7/8)	ø28.58 (1-1/8)	ø22.2 (7/8)	ø28.58 (1-1/8)
P312T/YSNU	P168	P144	ø28.58 (1-1/8)	ø41.28 (1-5/8)	ø22.2 (7/8)	ø28.58 (1-1/8)	ø22.2 (7/8)	ø28.58 (1-1/8)
P336T/YSNU	P168	P168	ø28.58 (1-1/8)	ø41.28 (1-5/8)	ø22.2 (7/8)	ø28.58 (1-1/8)	ø22.2 (7/8)	ø28.58 (1-1/8)

Pipes A, A<sub>1</sub>, A<sub>2</sub>

[mm (in)]

Unit model	Combination unit		Pipe A		Pipe A <sub>1</sub> *1		Pipe A <sub>2</sub> *1	
	Unit 1	Unit 2	High-pressure	Low-pressure	High-pressure	Low-pressure	High-pressure	Low-pressure
EP72T/YNU	-	-	ø15.88 (5/8)	ø19.05 (3/4)	-	-	-	-
EP96T/YNU	-	-	ø19.05 (3/4)	ø22.2 (7/8)	-	-	-	-
EP120T/YNU	-	-	ø19.05 (3/4)	ø28.58 (1-1/8)	-	-	-	-
EP144T/YNU	-	-	ø22.2 (7/8)	ø28.58 (1-1/8)	-	-	-	-
EP168T/YNU	-	-	ø22.2 (7/8)	ø28.58 (1-1/8)	-	-	-	-
EP192T/YNU	-	-	ø22.2 (7/8)	ø28.58 (1-1/8)	-	-	-	-
EP192T/YSNU	EP96	EP96	ø22.2 (7/8)	ø28.58 (1-1/8)	ø19.05 (3/4)	ø22.2 (7/8)	ø19.05 (3/4)	ø22.2 (7/8)
EP216T/YNU	-	-	ø22.2 (7/8)*2	ø28.58 (1-1/8)	-	-	-	-
EP216T/YSNU	EP120	EP96	ø22.2 (7/8)*2	ø28.58 (1-1/8)	ø19.05 (3/4)	ø28.58 (1-1/8)	ø19.05 (3/4)	ø22.2 (7/8)
EP240T/YNU	-	-	ø22.2 (7/8)*2	ø34.93 (1-3/8)	-	-	-	-
EP240T/YSNU	EP120	EP120	ø22.2 (7/8)*2	ø34.93 (1-3/8)	ø19.05 (3/4)	ø28.58 (1-1/8)	ø19.05 (3/4)	ø28.58 (1-1/8)
EP264T/YSNU	EP144	EP120	ø28.58 (1-1/8)	ø34.93 (1-3/8)	ø22.2 (7/8)	ø28.58 (1-1/8)	ø19.05 (3/4)	ø28.58 (1-1/8)
EP288T/YSNU	EP144	EP144	ø28.58 (1-1/8)	ø34.93 (1-3/8)	ø22.2 (7/8)	ø28.58 (1-1/8)	ø22.2 (7/8)	ø28.58 (1-1/8)
EP312T/YSNU	EP168	EP144	ø28.58 (1-1/8)	ø41.28 (1-5/8)	ø22.2 (7/8)	ø28.58 (1-1/8)	ø22.2 (7/8)	ø28.58 (1-1/8)
EP336T/YSNU	EP168	EP168	ø28.58 (1-1/8)	ø41.28 (1-5/8)	ø22.2 (7/8)	ø28.58 (1-1/8)	ø22.2 (7/8)	ø28.58 (1-1/8)
EP384T/YSNU	EP192	EP192	ø28.58 (1-1/8)	ø41.28 (1-5/8)	ø22.2 (7/8)	ø28.58 (1-1/8)	ø22.2 (7/8)	ø28.58 (1-1/8)
EP432T/YSNU	EP216	EP216	ø28.58 (1-1/8)	ø41.28 (1-5/8)	ø22.2 (7/8)	ø28.58 (1-1/8)	ø22.2 (7/8)	ø28.58 (1-1/8)

\*1 If the combination units 1 and 2 are in a different order as listed in the table, make sure to use the pipes of appropriate size for the situation.

\*2 If the length of "High-pressure pipe A" exceeds 65 m (213 ft), use the ø28.58 (ø1-1/8) pipes for all pipes after 65 m (213 ft).

## Pipe B

[mm (in)]

Total capacity of indoor units	Pipe	
	Liquid	Gas
30 or below	ø9.52 (ø3/8)	ø15.88 (ø5/8)

## Pipes C, D, E, F, G, H, I (\*)

[mm (in)]

Total model number of downstream indoor units	Pipe		
	High-pressure	Low-pressure	Liquid
72 or below	ø15.88 (ø5/8)	ø19.05 (ø3/4)	ø9.52 (ø3/8)
73 to 108	ø19.05 (ø3/4)	ø22.2 (ø7/8)	ø9.52 (ø3/8)
109 to 126	ø19.05 (ø3/4)	ø28.58 (ø1-1/8)	ø12.7 (ø1/2)
127 to 144	ø22.2 (ø7/8)	ø28.58 (ø1-1/8)	ø12.7 (ø1/2)
145 to 216	ø22.2 (ø7/8)	ø28.58 (ø1-1/8)	ø15.88 (ø5/8)
217 to 234	ø28.58 (ø1-1/8)	ø28.58 (ø1-1/8)	ø15.88 (ø5/8)
235 to 288	ø28.58 (ø1-1/8)	ø34.93 (ø1-3/8)	ø19.05 (ø3/4)
289 to 360	ø28.58 (ø1-1/8)	ø41.28 (ø1-5/8)	ø19.05 (ø3/4)
361 or above	ø34.93 (ø1-3/8)	ø41.28 (ø1-5/8)	ø19.05 (ø3/4)

## Pipes a, b, c, d, e, f, g, h (\*)

[mm (in)]

Capacity index of indoor unit	Pipe	
	Liquid	Gas
05, 06, 08, 12, 15, 18	ø6.35 (ø1/4)	ø12.7 (ø1/2)
24, 27, 30, 36, 48, 54	ø9.52 (ø3/8)	ø15.88 (ø5/8)
72	ø9.52 (ø3/8)	ø19.05 (ø3/4)
96	ø9.52 (ø3/8)	ø22.2 (ø7/8)

## Pipes i, j, k, l (\*)

[mm (in)]

Capacity index of indoor unit	Liquid pipe		Gas pipe	
	i	j	k	l
36	ø9.52 (ø3/8)	ø9.52 (ø3/8)	ø15.88 (ø5/8)	ø15.88 (ø5/8)
48	ø9.52 (ø3/8)	ø9.52 (ø3/8)	ø15.88 (ø5/8)	ø15.88 (ø5/8)
54	ø9.52 (ø3/8)	ø9.52 (ø3/8)	ø15.88 (ø5/8)	ø15.88 (ø5/8)
72	ø9.52 (ø3/8)	ø9.52 (ø3/8)	ø19.05 (ø3/4)	ø15.88 (ø5/8)
96	ø9.52 (ø3/8)	ø9.52 (ø3/8)	ø22.2 (ø7/8)	ø15.88 (ø5/8)

\* If the length of high-pressure pipe or liquid pipe exceeds the restriction, use the one size larger pipe. Refer to the BC controller Installation Manual for details.

## 9-5. Piping connections and valve operations

### **! WARNING**

Before heating the brazed sections, remove the gas and oil that are trapped in the pipes.

- Failure to do so may generate fire, resulting in serious injury.

Ventilate the room while servicing the unit.

- If the refrigerant leaks, oxygen deficiency may result. If the leaked refrigerant comes in contact with a heat source, toxic gas will be generated.

### **CAUTION**

Store pipes indoors, and keep both ends of the pipes sealed until just before making a flare connection or brazing. (Store elbows and other joints in plastic bags.)

- If dust, dirt, or water enters the refrigerant lines, the refrigerant oil will deteriorate and the compressor will malfunction.

Keep the service valves closed until refrigerant charging is completed.

- Failure to do so will damage the unit.

Place a wet towel on the service valves before brazing the pipes to keep the temperature of the valves from rising above 120°C (248°F).

- Failure to do so may result in equipment damage.

Keep the flame out of contact with the cables and metal sheet when brazing the pipes.

- Failure to do so may result in burnout or malfunction.

Braze the pipes with a nitrogen purge to avoid oxidation.

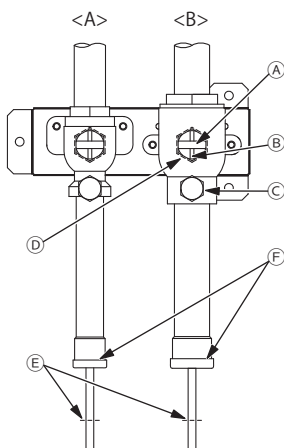
- Oxidized flux inside the refrigerant pipes will cause the refrigerant oil to deteriorate and cause the compressor to malfunction.

### 9-5-1. Removing the pinched connecting pipes

The unit is shipped with the pinched connecting pipes attached to the high- and low-pressure side service valves to prevent gas leakage.

Take the following steps ① through ③ to remove the pinched connecting pipes before connecting refrigerant pipes to the outdoor unit.

- ① Check that the service valves are fully closed (turned clockwise all the way).
- ② Remove the gas in the pinched connecting pipes, and drain out all the refrigerant oil. (See ⑤ below.)
- ③ Remove the pinched connecting pipes. (See ⑥ below.)



<A> Refrigerant service valve (high-pressure/brazed)

<B> Refrigerant service valve (low-pressure/brazed)

Ⓐ Valve shaft

The unit is shipped with the valve closed. Keep the valve closed while connecting pipes or evacuating the system. Open the valve upon completion of this work. Turn the shaft counterclockwise as far as it will go (90°) to open the valve, and clockwise to close it.

Ⓑ Stopper pin

Prevents the shaft from turning 90° or more.

Ⓒ Service port

Through the service ports, you can charge refrigerant, remove the gas in the pinched connecting pipes, or evacuate the system.

Ⓓ Cap

Remove the cap before turning the shaft. Put the cap back on upon completion of all work.

Ⓔ Severed section of the pinched connecting pipe

Ⓕ Brazed section of the pinched connecting pipe

### 9-5-2. Connecting pipes

- The refrigerant pipe from the outdoor unit is branched at the pipe end, and each branch is then connected to an indoor unit.

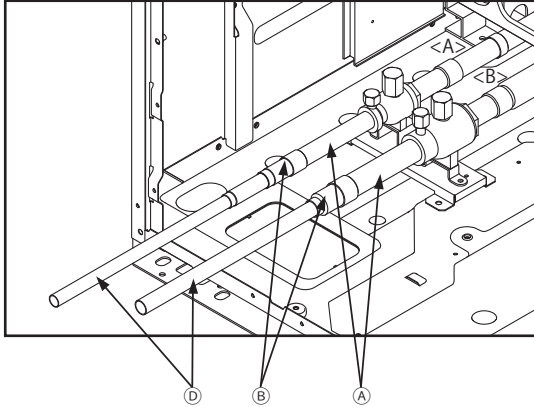
		Connecting method
Indoor unit		Brazed or flared
Outdoor unit	High-pressure pipe	Brazed
	Low-pressure pipe	Brazed
Branched section		Brazed

- When connecting pipes, make sure the service valves are completely closed.
- Commercially available pipes often contain dust or debris. Always blow them clean with a dry inert gas.
- Take care to prevent dust, water or other contaminants from entering the pipes during installation.
- Reduce the number of bending portions as much as possible, and make the bending radius as big as possible.
- Do not use any commercially available anti-oxidizing agents since they may cause pipe corrosion and degrading of the refrigerant oil. Please contact Mitsubishi Electric for more details.
- Make sure that the pipes are not in contact with each other, unit panels, or base plates.
- Refer to the twinning kit Installation Manual for how to install the twinning kit.

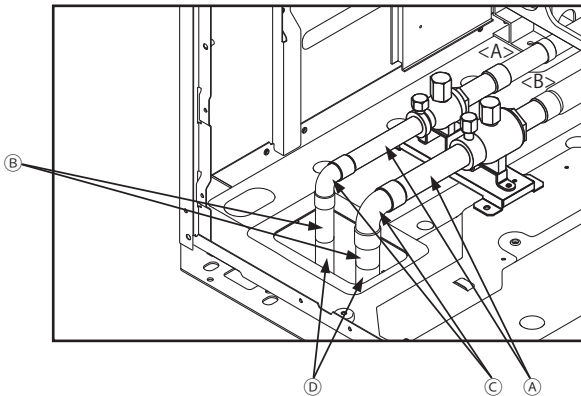
## <Refrigerant piping connection examples>

- Obtain joints and elbows on site as necessary according to the pipe diameter, and connect the pipes as shown in the figures below.

(1) When routing the pipes through the front of the unit



(2) When routing the pipes through the bottom of the unit



- <A> High-pressure side
- <B> Low-pressure side
- Ⓐ Refrigerant service valve piping
- Ⓑ Reducer etc.
- Ⓒ Elbow
- Ⓓ On-site piping

### <Reference> Size of refrigerant pipes

	On-site piping [mm (in)]		Service valve piping [mm (in)]	
	High-pressure side	Low-pressure side	High-pressure side	Low-pressure side
P72	ø15.88 (ø5/8)	ø19.05 (ø3/4)	ø22.2 (ø7/8)	ø28.58 (ø1-1/8)
P96	ø19.05 (ø3/4)	ø22.2 (ø7/8)	ø28.58 (ø1-1/8)	
P120		ø28.58 (ø1-1/8)		
P144	ø22.2 (ø7/8)			
P168				

	On-site piping [mm (in)]		Service valve piping [mm (in)]	
	High-pressure side	Low-pressure side	High-pressure side	Low-pressure side
EP72	ø15.88 (ø5/8)	ø19.05 (ø3/4)	ø22.2 (ø7/8)	ø28.58 (ø1-1/8)
EP96	ø19.05 (ø3/4)	ø22.2 (ø7/8)	ø28.58 (ø1-1/8)	
EP120		ø28.58 (ø1-1/8)		
EP144	ø22.2 (ø7/8)			
EP168				
EP192	ø22.2 (ø7/8)			
EP216				
EP240	ø34.93 (ø1-3/8)			

- When expanding the on-site piping, satisfy the minimum insertion depth requirement as follows.

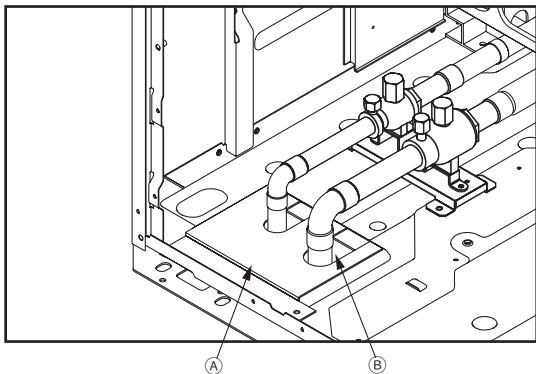
Pipe size [mm (in)]	Minimum insertion depth [mm (in)]
ø5 (ø1/4) or more, less than ø8 (ø3/8)	6 (1/4)
ø8 (ø3/8) or more, less than ø12 (ø1/2)	7 (5/16)
ø12 (ø1/2) or more, less than ø16 (ø11/16)	8 (3/8)
ø16 (ø11/16) or more, less than ø25 (ø1)	10 (7/16)
ø25 (ø1) or more, less than ø35 (ø1-7/16)	12 (1/2)
ø35 (ø1-7/16) or more, less than ø45 (ø1-13/16)	14 (9/16)

### 9-5-3. Sealing the openings around the pipes

#### **! WARNING**

Seal all openings around pipes and wires to keep out small animals, rainwater, or snow.

- Failure to do so may result in current leakage, electric shock, or damage to the unit.



- Ⓐ Example of closure materials (not supplied)
- Ⓑ Fill the openings

### 9-6. Air-tightness test

#### **! WARNING**

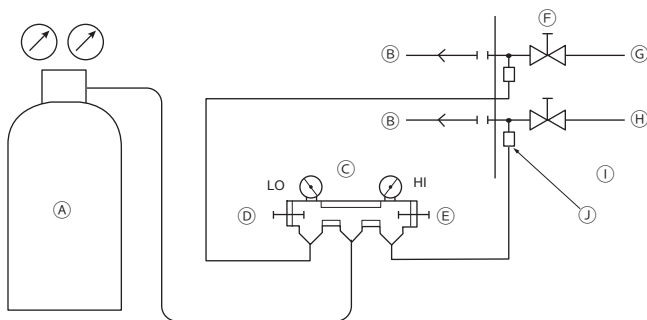
Do not use oxygen, flammable gas, or a refrigerant containing chlorine for air-tightness testing.

- Doing so may result in an explosion. Chlorine will deteriorate the refrigerant oil.

After refrigerant pipe installation is completed, check the system for leaks by conducting an air-tightness test. If there is a leak, the composition of the refrigerant will change and the performance will drop.

<Air-tightness test procedures>

- ① Make sure the service valves are closed.
- ② Add pressure to the refrigerant pipes through the service ports of the high- and low-pressure pipes.  
\* Pressurize to the design pressure (4.15 MPa) using nitrogen gas.
- ③ If the pressure holds for one day and does not decrease, the pipes have passed the test and there are no leaks. If the pressure decreases, there is a leak. Look for the source of the leak by spraying a bubbling agent (e.g., Gupoflex) on the flared or brazed sections.
- ④ Wipe off the bubbling agent.



- Ⓐ Nitrogen gas
- Ⓑ To indoor unit
- Ⓒ Gauge manifold
- Ⓓ Low pressure knob
- Ⓔ High pressure knob
- Ⓕ Service valve
- Ⓖ Low-pressure pipe
- Ⓗ High-pressure pipe
- Ⓘ Outdoor unit
- ⓵ Service port

## 9-7. Thermal insulation for pipes

### CAUTION

#### Insulate pipes to prevent condensation.

- Condensation may collect and drip from the unit onto the ceiling or floor.

Insulate the high- and low-pressure pipes, and liquid and gas pipes separately with polyethylene foam insulation materials. Inadequate insulation may cause condensation to drip. Pipes in the ceiling are especially vulnerable to condensation and require adequate insulation.

#### 9-7-1. Insulation material

- Check that the insulation materials meet the standards in the table below.

Between an outdoor unit and BC controller

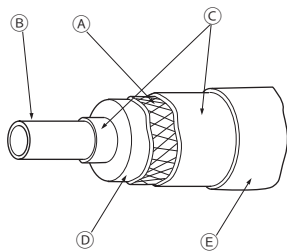
	High-pressure pipe	Low-pressure pipe
Thickness [mm (in)]	Min. 10 (7/16)	Min. 20 (13/16)
Heat resistance	Min. 120°C (248°F)	

Between a BC controller and indoor unit (R2 system)

	Pipe size [mm (in)]	
	ø6.35 (ø1/4)–ø25.4 (ø1)	ø28.58 (ø1-1/8)–ø38.1 (ø1-1/2)
Thickness [mm (in)]	Min. 10 (7/16)	Min. 15 (5/8)
Heat resistance	Min. 120°C (248°F)	

\* The insulation thickness may need to be increased in high-temperature/humidity conditions.

\* Even when specifications are defined by your client, the standards in the table should be met.

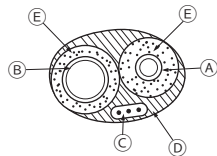
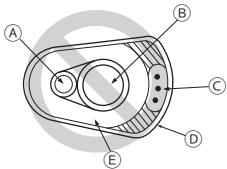


- (A) Steel wire
- (B) Pipe
- (C) Oily mastic asphalt or asphalt
- (D) Insulation material A
- (E) Outer covering B

Insulation material A	Glass fiber + Steel wire	
	Adhesive + Heat-resistant polyethylene foam + Adhesive tape	
Outer covering B	Indoor	Vinyl tape
	Under the floor and exposed	Waterproof hemp cloth + Bronze asphalt
	Outdoor	Waterproof hemp cloth + Zinc plate + Oily paint

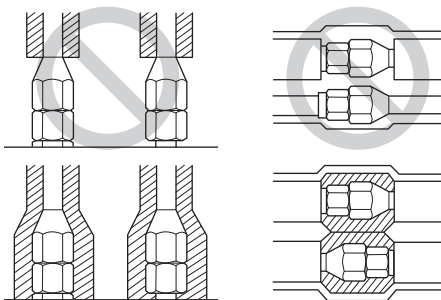
\* If a polyethylene cover is used as an outer covering, asphalt roofing is not necessary.

- Do not insulate the electric wires.



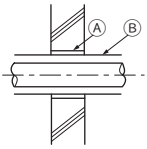
- (A) High-pressure pipe or liquid pipe
- (B) Low-pressure pipe or gas pipe
- (C) Electric wire
- (D) Finishing tape
- (E) Insulation material

- Make sure that the pipe connections all the way from the indoor unit are properly insulated.

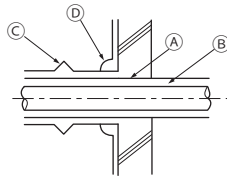


## 9-7-2. Insulation for the section of the pipe that goes through a wall

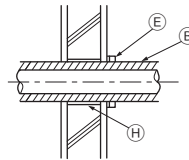
(1) Inner wall (concealed)



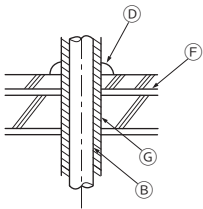
(2) Outer wall



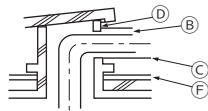
(3) Outer wall (exposed)



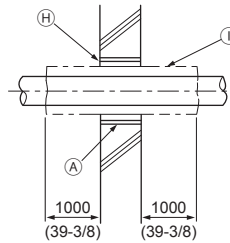
(4) Floor (waterproof)



(5) Rooftop pipe shaft



(6) Protecting the penetrating parts in a fire limit zone or through a parting wall



[mm (in)]

- (A) Sleeve
- (B) Insulation material
- (C) Lagging
- (D) Caulking material
- (E) Band
- (F) Waterproof layer
- (G) Sleeve with a flange
- (H) Caulk with a nonflammable material such as mortar.
- (I) Nonflammable insulation material

• When caulking the gaps with mortar, cover the section of the pipe that goes through the wall with a metal sheet to prevent the insulation material from sagging. For this section, use nonflammable insulation and covering materials. (Vinyl tape should not be used.)

## 9-8. Evacuation of the system

### **WARNING**

**Do not purge the air using refrigerant. Use a vacuum pump to evacuate the system.**

- Residual gas in the refrigerant lines will cause bursting of the pipes or an explosion.

### **CAUTION**

**Use a vacuum pump with a check valve.**

- If the vacuum pump oil flows back into the refrigerant lines, the refrigerant oil may deteriorate and the compressor may malfunction.

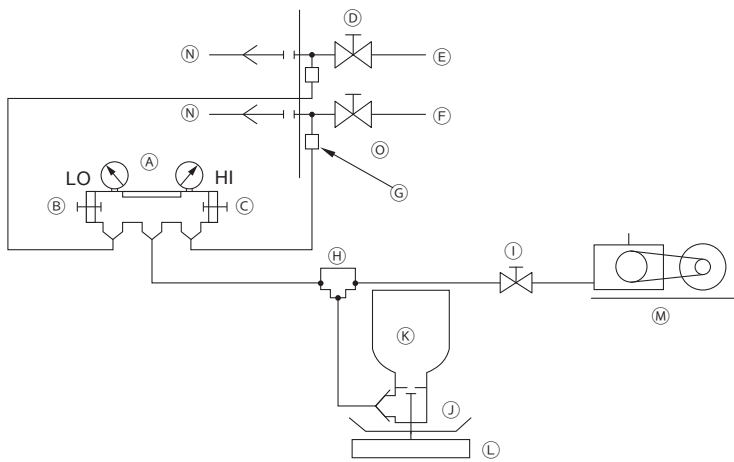
<Evacuation procedures>

- ① Evacuate the system from both service ports, using a vacuum pump with the service valves closed.
- ② After the vacuum reaches 650 Pa (0.0943 psi/5 Torr), continue evacuation for at least one hour.
- ③ Stop the vacuum pump and leave it for an hour.
- ④ Verify that the vacuum has not increased by more than 130 Pa (0.01886 psi/1 Torr).
- ⑤ If the vacuum has increased by more than 130 Pa, water infiltration is suspected. Pressurize the system with dry nitrogen gas up to 0.05 MPa (7.25 psi/375 Torr). Repeat ① through ⑤ until the vacuum is increased by 130 Pa or below. If the results persist, then perform the "Triple Evacuation" below.

<Triple Evacuation>

- ① Evacuate the system to 533 Pa (0.07729 psi/4 Torr) from both service ports, using a vacuum pump.
- ② Pressurize the system with dry nitrogen gas up to 0 Pa (0 psi/0 Torr) from the discharge service port.
- ③ Evacuate the system to 200 Pa (0.029 psi/1.5 Torr) from the suction service port, using a vacuum pump.
- ④ Pressurize the system with dry nitrogen gas up to 0 Pa (0 psi/0 Torr) from the discharge service port.
- ⑤ Evacuate the system from both service ports, using a vacuum pump.
- ⑥ After the vacuum reaches 66.7 Pa (0.09672 psi/5 Torr), stop the vacuum pump and leave it for an hour. A vacuum of 66.7 Pa must be maintained for at least one hour.
- ⑦ Verify that the vacuum has not increased for at least 30 minutes.





- (A) Gauge manifold
- (B) Low pressure knob
- (C) High pressure knob
- (D) Service valve
- (E) Low-pressure pipe
- (F) High-pressure pipe
- (G) Service port
- (H) Three-way joint
- (I) Valve (vacuum pump)
- (J) Valve (for charging refrigerant)
- (K) Refrigerant tank
- (L) Scale
- (M) Vacuum pump
- (N) To indoor unit
- (O) Outdoor unit

- Use a scale that can measure down to 0.1 kg (0.1 oz).
- Recommended vacuum gauge: ROBINAIR 14830A Thermistor Vacuum Gauge or Micron Gauge
- Do not use a gauge manifold to measure the vacuum pressure.
- Use a vacuum pump capable of attaining a vacuum of 65 Pa (abs) within five minutes of operation.

## 9-9. Additional refrigerant charge

### CAUTION

#### Charge refrigerant in a liquid state.

- Charging refrigerant in the gaseous state will change the composition of the refrigerant and lead to a performance drop.

#### Do not use a charging cylinder when charging refrigerant.

- The use of a charging cylinder may change the composition of the refrigerant and lead to a performance drop.

The amount of refrigerant that is shown in the table below is factory-charged in the outdoor units. The amount necessary for extended piping is not included and needs to be added on site.

Unit model	Factory-charged amount [kg (oz)]
P72	5.2 (184)
P96	8.0 (283)
P120	8.0 (283)
P144	10.8 (381)
P168	10.8 (381)

Unit model	Factory-charged amount [kg (oz)]
EP72	5.2 (184)
EP96	8.0 (283)
EP120	8.0 (283)
EP144	10.8 (381)
EP168	10.8 (381)
EP192	11.8 (416)
EP216	11.8 (416)
EP240	11.8 (416)

The amount of refrigerant that is shown in the table below is the maximum amount to be added on site.

Unit model	Maximum amount to be added [kg (oz)]
P72T/YNU	28.3 (999)
P96T/YNU	33.5 (1182)
P120T/YNU	39.5 (1394)
P144T/YNU	38.5 (1359)
P168T/YNU	39.5 (1394)
P192T/YSNU	58 (2046)
P216T/YSNU	74 (2611)
P240T/YSNU	74 (2611)
P264T/YSNU	71.2 (2512)
P288T/YSNU	68.4 (2413)
P312T/YSNU	68.4 (2413)
P336T/YSNU	68.4 (2413)

Unit model	Maximum amount to be added [kg (oz)]
EP72T/YNU	28.3 (999)
EP96T/YNU	33.5 (1182)
EP120T/YNU	39.5 (1394)
EP144T/YNU	38.5 (1359)
EP168T/YNU	39.5 (1394)
EP192T/YNU	38.5 (1359)
EP192T/YSNU	58 (2046)
EP216T/YNU	38.5 (1359)
EP216T/YSNU	74 (2611)
EP240T/YNU	38.5 (1359)
EP240T/YSNU	74 (2611)
EP264T/YSNU	71.2 (2512)
EP288T/YSNU	68.4 (2413)
EP312T/YSNU	68.4 (2413)
EP336T/YSNU	68.4 (2413)
EP384T/YSNU	66.4 (2343)
EP432T/YSNU	66.4 (2343)

The amount of refrigerant that is shown in the table below is the maximum total amount in the system.

Unit model	Maximum total amount in the system [kg (oz)]
P72T/YNU	33.5 (1182)
P96T/YNU	41.5 (1464)
P120T/YNU	47.5 (1676)
P144T/YNU	49.3 (1739)
P168T/YNU	50.3 (1775)
P192T/YSNU	74 (2611)
P216T/YSNU	90 (3175)
P240T/YSNU	90 (3175)
P264T/YSNU	90 (3175)
P288T/YSNU	90 (3175)
P312T/YSNU	90 (3175)
P336T/YSNU	90 (3175)

Unit model	Maximum total amount in the system [kg (oz)]
EP72T/YNU	33.5 (1182)
EP96T/YNU	41.5 (1464)
EP120T/YNU	47.5 (1676)
EP144T/YNU	49.3 (1739)
EP168T/YNU	50.3 (1775)
EP192T/YNU	50.3 (1775)
EP192T/YSNU	74 (2611)
EP216T/YNU	50.3 (1775)
EP216T/YSNU	90 (3175)
EP240T/YNU	50.3 (1775)
EP240T/YSNU	90 (3175)
EP264T/YSNU	90 (3175)
EP288T/YSNU	90 (3175)
EP312T/YSNU	90 (3175)
EP336T/YSNU	90 (3175)
EP384T/YSNU	90 (3175)
EP432T/YSNU	90 (3175)

Both refrigerant overcharge and undercharge will cause problems. Charge the system with the proper amount of refrigerant. Record the added refrigerant amount on the label attached to the control box panel for future servicing.

### 9-9-1. Calculation of the amount of additional refrigerant

- The amount of refrigerant to be added depends on the size and the total length of the high-pressure piping and liquid piping.
- Calculate the amount of refrigerant to be charged according to the formula below.
- Round up the calculation result to the nearest 0.1 kg (0.1 oz).

(1) Units "m" and "kg" (In an R2 system)

<Formula>

- When the piping length from the outdoor unit to the farthest indoor unit is 30.5 m (100 ft) or shorter

Amount of additional charge (kg)	=	High-pressure pipe ø28.58 total length × 0.36 (kg/m)	+	High-pressure pipe ø22.2 total length × 0.23 (kg/m)	+	High-pressure pipe ø19.05 total length × 0.16 (kg/m)	+	High-pressure pipe ø15.88 total length × 0.11 (kg/m)
----------------------------------	---	--	---	---	---	--	---	--

+	Liquid pipe ø15.88 total length × 0.2 (kg/m)	+	Liquid pipe ø12.7 total length × 0.12 (kg/m)	+	Liquid pipe ø9.52 total length × 0.06 (kg/m)	+	Liquid pipe ø6.35 total length × 0.024 (kg/m)
---	--	---	--	---	--	---	---

Main or sub BC controller	Amount (kg/unit)
J-type	1.5
JA-type	3.0
KA-type	4.7
KB-type	0.4

Total capacity of connected indoor units	Amount (kg) (to be added for indoor unit)
27 or below	2.0
28 to 54	2.5
55 to 126	3.0
127 to 144	3.5
145 to 180	4.5
181 to 234	5.0
235 to 273	6.0
274 to 307	8.0
308 to 342	9.0
343 to 411	10.0
412 to 450	12.0
451 or above	14.0

	Total capacity of outdoor units	Amount (kg) (to be added for outdoor unit)
Single	72	0
	96	0
	120	0
	144	0
	168	0
	192	4.4
	216	4.4
	240	4.4
Combination	192	0
	216	0
	240	0
	264	0
	288	0
	312	0
	336	0
	384	8.8
432	8.8	

(A)

	Total capacity of outdoor units	Amount (kg)
Single	72	1.5
	96	1.5
	120	3.0
	144	2.5
	168	4.0
	192	3.5
	216	4.0
	240	4.5
Combination	192	4.0
	216	4.5
	240	5.0
	264	2.5
	288	1.5
	312	2.0
	336	2.0
	384	0
432	0	

\* In the case all connected indoor unit models are Case 1 or Case 2, do NOT add the refrigerant listed in table (A). Instead, add the following amount of refrigerant.

Case 1: PLFY-EP06/18/36NEMU-E\*\*

→ Add 0.67 kg per PLFY-EP06/18/36NEMU-E\*\*.

Case 2: PEFY-P06/24/36NMAU-E\*\*

→ Add 0.55 kg per PEFY-P06/24/36NMAU-E\*\*.

• When the piping length from the outdoor unit to the farthest indoor unit is longer than 30.5 m (100 ft)

Amount of additional charge (kg)	=	High-pressure pipe ø28.58 total length × 0.33 (kg/m)	+	High-pressure pipe ø22.2 total length × 0.21 (kg/m)	+	High-pressure pipe ø19.05 total length × 0.14 (kg/m)	+	High-pressure pipe ø15.88 total length × 0.1 (kg/m)
		Liquid pipe ø15.88 total length × 0.18 (kg/m)	+	Liquid pipe ø12.7 total length × 0.11 (kg/m)	+	Liquid pipe ø9.52 total length × 0.054 (kg/m)	+	Liquid pipe ø6.35 total length × 0.021 (kg/m)
	+	Main or sub BC controller		Amount (kg/unit)		Total capacity of connected indoor units		Amount (kg) (to be added for indoor unit)
		J-type		1.5		27 or below		2.0
		JA-type		3.0		28 to 54		2.5
		KA-type		4.7		55 to 126		3.0
		KB-type		0.4		127 to 144		3.5
						145 to 180		4.5
						181 to 234		5.0
						235 to 273		6.0
						274 to 307		8.0
						308 to 342		9.0
						343 to 411		10.0
						412 to 450		12.0
						451 or above		14.0

	Total capacity of outdoor units	Amount (kg) (to be added for outdoor unit)
Single	72	0
	96	0
	120	0
	144	0
	168	0
	192	4.4
	216	4.4
	240	4.4
Combination	192	0
	216	0
	240	0
	264	0
	288	0
	312	0
	336	0
	384	8.8
432	8.8	

\* When connecting PLFY-EP06NEMU-E\*\*, PLFY-EP18NEMU-E\*\*, or PLFY-EP36NEMU-E\*\*, add 0.67 kg of refrigerant per indoor unit.

\* When connecting PEFY-P06NMAU-E\*\*, PEFY-P24NMAU-E\*\*, or PEFY-P36NMAU-E\*\*, add 0.55 kg of refrigerant per indoor unit.

<Example>

Outdoor unit 1 model: P120

Outdoor unit 2 model: P120

BC controller (Main) model: CMB-P108NU-JA1

BC controller (Sub) model: CMB-P104NU-KB1 × 4 units

Total capacity of connected indoor units: 206

\* Refer to the pipe connection examples in section 9-4 for the pipes marked with the letters below.

A: ø28.58; 40 m

B: ø9.52; 10 m

C: ø9.52; 5 m

D: ø9.52; 5 m

E: ø9.52; 5 m

F: ø9.52; 5 m

G: ø9.52; 5 m

H: ø9.52; 5 m

I: ø9.52; 5 m

A1: ø19.05; 3 m

A2: ø19.05; 1 m

a: ø9.52; 10 m

b: ø9.52; 5 m

c: ø6.35; 5 m

d: ø6.35; 10 m

e: ø6.35; 5 m

f: ø9.52; 5 m

g: ø9.52; 5 m  
h: ø9.52; 5 m

The total length of the high-pressure piping and liquid piping in each case is as follows:

ø28.58 total length: 40 (A)

ø19.05 total length: 3 (A<sub>1</sub>) + 1 (A<sub>2</sub>) = 4

ø9.52 total length: 10 (B) + 5 (C) + 5 (D) + 5 (E) + 5 (F) + 5 (G) + 5 (H) + 5 (I) + 10 (a) + 5 (b) + 5 (f) + 5 (g) + 5 (h) = 75

ø6.35 total length: 5 (c) + 10 (d) + 5 (e) = 20

Therefore, when the piping length from the outdoor unit to the farthest indoor unit is longer than 30.5 m (100 ft),

Amount of additional charge = (40 × 0.33) + (4 × 0.14) + (75 × 0.054) + (20 × 0.021) + 3.0 + (0.4 × 4) + 5  
= 27.9 kg (Fractions are rounded up.)

(2) Units "ft" and "oz" (In an R2 system)

<Formula>

• When the piping length from the outdoor unit to the farthest indoor unit is 30.5 m (100 ft) or shorter

Amount of additional charge (oz)	=	High-pressure pipe ø1-1/8 total length × 3.88 (oz/ft)	+	High-pressure pipe ø7/8 total length × 2.48 (oz/ft)	+	High-pressure pipe ø3/4 total length × 1.73 (oz/ft)	+	High-pressure pipe ø5/8 total length × 1.19 (oz/ft)
		Liquid pipe ø5/8 total length × 2.16 (oz/ft)		Liquid pipe ø1/2 total length × 1.30 (oz/ft)		Liquid pipe ø3/8 total length × 0.65 (oz/ft)		Liquid pipe ø1/4 total length × 0.26 (oz/ft)
		Main or sub BC controller		Amount (oz/unit)		Total capacity of connected indoor units		Amount (oz) (to be added for indoor unit)
		J-type		53		27 or below		71
		JA-type		106		28 to 54		89
		KA-type		166		55 to 126		106
		KB-type		15		127 to 144		124
						145 to 180		159
						181 to 234		177
						235 to 273		212
						274 to 307		283
						308 to 342		318
						343 to 411		353
						412 to 450		424
						451 or above		494

Ⓑ

Total capacity of outdoor units		Amount (oz) (to be added for outdoor unit)
Single	72	0
	96	0
	120	0
	144	0
	168	0
	192	156
	216	156
	240	156
Combination	192	0
	216	0
	240	0
	264	0
	288	0
	312	0
	336	0
	384	311
432	311	

Total capacity of outdoor units		Amount (oz)
Single	72	53
	96	53
	120	106
	144	89
	168	142
	192	124
	216	142
	240	159
Combination	192	142
	216	159
	240	177
	264	89
	288	53
	312	71
	336	71
	384	0
432	0	

\* In the case all connected indoor unit models are Case 1 or Case 2, do NOT add the refrigerant listed in table Ⓑ. Instead, add the following amount of refrigerant.

Case 1: PLFY-EP06/18/36NEMU-E\*\*

→ Add 24 oz per PLFY-EP06/18/36NEMU-E\*\*.

Case 2: PEFY-P06/24/36NMAU-E\*\*

→ Add 20 oz per PEFY-P06/24/36NMAU-E\*\*.

- When the piping length from the outdoor unit to the farthest indoor unit is longer than 30.5 m (100 ft)

Amount of additional charge (oz)	=	High-pressure pipe $\phi$ 1-1/8 total length $\times$ 3.54 (oz/ft)	+	High-pressure pipe $\phi$ 7/8 total length $\times$ 2.26 (oz/ft)	+	High-pressure pipe $\phi$ 3/4 total length $\times$ 1.51 (oz/ft)	+	High-pressure pipe $\phi$ 5/8 total length $\times$ 1.08 (oz/ft)
	+	Liquid pipe $\phi$ 5/8 total length $\times$ 1.94 (oz/ft)	+	Liquid pipe $\phi$ 1/2 total length $\times$ 1.19 (oz/ft)	+	Liquid pipe $\phi$ 3/8 total length $\times$ 0.59 (oz/ft)	+	Liquid pipe $\phi$ 1/4 total length $\times$ 0.23 (oz/ft)
	+	Main or sub BC controller		Amount (oz/unit)		Total capacity of connected indoor units		Amount (oz) (to be added for indoor unit)
		J-type		53		27 or below		71
		JA-type		106		28 to 54		89
		KA-type		166		55 to 126		106
		KB-type		15		127 to 144		124
						145 to 180		159
						181 to 234		177
						235 to 273		212
						274 to 307		283
						308 to 342		318
						343 to 411		353
						412 to 450		424
						451 or above		494

	Total capacity of outdoor units	Amount (oz) (to be added for outdoor unit)
Single	72	0
	96	0
	120	0
	144	0
	168	0
	192	156
	216	156
Combination	240	156
	192	0
	216	0
	240	0
	264	0
	288	0
	312	0
	336	0
384	311	
432	311	

- \* When connecting PLFY-EP06NEMU-E\*\*, PLFY-EP18NEMU-E\*\*, or PLFY-EP36NEMU-E\*\*, add 24 oz of refrigerant per indoor unit.
- \* When connecting PEFY-P06NMAU-E\*\*, PEFY-P24NMAU-E\*\*, or PEFY-P36NMAU-E\*\*, add 20 oz of refrigerant per indoor unit.

<Example>  
 Outdoor unit 1 model: P120  
 Outdoor unit 2 model: P120  
 BC controller (Main) model: CMB-P108NU-JA1  
 BC controller (Sub) model: CMB-P104NU-KB1  $\times$  4 units  
 Total capacity of connected indoor units: 206

\* Refer to the pipe connection examples in section 9-4 for the pipes marked with the letters below.

- A:  $\phi$ 1-1/8; 131 ft
- B:  $\phi$ 3/8; 32 ft
- C:  $\phi$ 3/8; 16 ft
- D:  $\phi$ 3/8; 16 ft
- E:  $\phi$ 3/8; 16 ft
- F:  $\phi$ 3/8; 16 ft
- G:  $\phi$ 3/8; 16 ft
- H:  $\phi$ 3/8; 16 ft
- I:  $\phi$ 3/8; 16 ft
- A1:  $\phi$ 3/4; 9 ft
- A2:  $\phi$ 3/4; 3 ft
- a:  $\phi$ 3/8; 32 ft
- b:  $\phi$ 3/8; 16 ft
- c:  $\phi$ 1/4; 16 ft
- d:  $\phi$ 1/4; 32 ft
- e:  $\phi$ 1/4; 16 ft
- f:  $\phi$ 3/8; 16 ft
- g:  $\phi$ 3/8; 16 ft
- h:  $\phi$ 3/8; 16 ft

The total length of the high-pressure piping and liquid piping in each case is as follows:

ø1-1/8 total length: 131 (A)

ø3/4 total length:  $9 (A_1) + 3 (A_2) = 12$

ø3/8 total length:  $32 (B) + 16 (C) + 16 (D) + 16 (E) + 16 (F) + 16 (G) + 16 (H) + 16 (I) + 32 (a) + 16 (b) + 16 (f) + 16 (g) + 16 (h) = 240$

ø1/4 total length:  $16 (c) + 32 (d) + 16 (e) = 64$

Therefore, when the piping length from the outdoor unit to the farthest indoor unit is longer than 30.5 m (100 ft),

Amount of additional charge =  $(131 \times 3.54) + (12 \times 1.51) + (240 \times 0.59) + (64 \times 0.23) + 106 + (15 \times 4) + 177$

= 981.2 oz (Fractions are rounded up.)

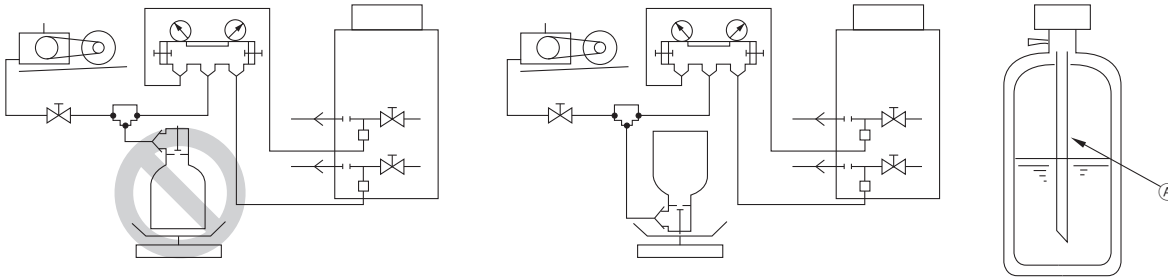
## 9-9-2. Charging additional refrigerant

Charge the calculated amount of refrigerant in the liquid state to the unit through the service port after the completion of piping work. Upon completion of all work, securely tighten all service port caps and shaft caps to prevent refrigerant leakage.

- Do not vent the refrigerant into the atmosphere.
- Refer to the table below for the appropriate tightening torque.

Pipe size [mm (in)]	Shaft cap (N·m)	Service port cap (N·m)
ø9.52 (ø3/8)	25	14
ø12.7 (ø1/2)	30	
ø15.88 (ø5/8)	35	
ø19.05 (ø3/4)	25	
ø25.4 (ø1)	25	
ø28.58 (ø1-1/8)	24.5	18

- If the refrigerant tank does not have a siphon pipe, charge the liquid refrigerant with the tank upside-down as shown in the figure below.



Ⓐ Siphon pipe

- After evacuation and refrigerant charging, ensure that the service valves are fully open. Do not operate the unit with the service valves closed.

# 10. Electrical work

## ⚠ WARNING

Electrical work must be performed by qualified personnel in accordance with local regulations and the instructions provided in this manual. Only use the specified cables and dedicated circuits.

- Inadequate power source capacity or improper electrical work will result in electric shock, malfunction, or fire.

Proper grounding must be provided by qualified personnel.

- Improper grounding may result in electric shock, fire, explosion, or malfunction due to electrical noise. Do not connect the ground wire to gas or water pipes, lightning rods, or telephone ground wires.

## 10-1. Before electrical work

- When performing electrical work, refer to the indoor unit or controller installation manuals as well.
- Bear in mind ambient conditions (ambient temperature, direct sunlight, rain water, etc.) when proceeding with the wiring and connections.
- When opening or closing the front panel of the control box, do not let it come into contact with any of the internal components.
- Specific wiring requirements should adhere to the wiring regulations of the region.
- Include some slack in the wiring for the control box on the indoor and outdoor units, because these boxes are sometimes removed at the time of service work.

## 10-2. Power cables and device capacity

## ⚠ WARNING

Include some slack in the power cables.

- Failure to do so may break or overheat the cables, resulting in smoke or fire.

Install an inverter circuit breaker on the power supply of each unit.

- Failure to do so may result in electric shock or fire.

Only use properly rated breakers (an earth leakage breaker, local switch <a switch + fuse that meets local electrical codes>, or overcurrent breaker).

- Failure to do so may result in electric shock, malfunction, smoke, or fire.

Only use standard power cables of sufficient capacity.

- Failure to do so may result in current leakage, overheating, smoke, or fire.

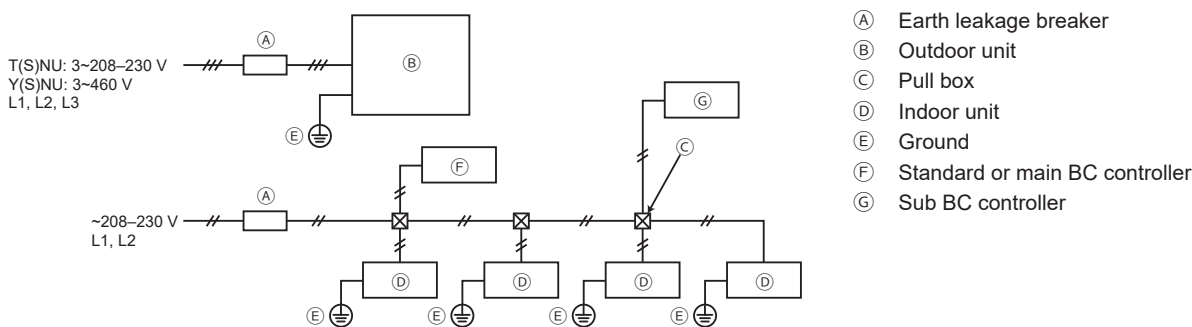
Tighten all terminal screws to the specified torque.

- Loose screws and contact failure may result in smoke or fire.

## CAUTION

If a large electric current flows due to a malfunction or faulty wiring, earth-leakage breakers on the unit side and on the upstream side of the power supply system could both operate. Depending on the importance of the system, separate the power supply system or take protective coordination of breakers.

- Wiring example



- Be sure to use the appropriate type of overcurrent breaker. Note that generated overcurrent may include some amount of direct current.
- Select the type of breaker for an inverter circuit as an earth leakage breaker. (Mitsubishi Electric NV-C series or its equivalent)
- The earth leakage breaker should be used in combination with a local switch.
- Ensure the correct phase sequence. (L1, L2, and L3)
- If the power cable is damaged, it must be replaced by the manufacturer, its service agent or similarly qualified persons in order to avoid a hazard.
- Use dedicated power cables for the outdoor unit and indoor unit. Ensure OC and OS are wired individually.
- Power cable size, device capacity, and system impedance  
(If local regulations do not specify the minimum power cable size or device capacity, follow the values in the table below.)

- Power cable size and device capacity  
MOP is used to select the fuse, switch, or breaker for current leakage.

(1) TNU models (208 V)

Outdoor unit model	Unit combination	Minimum size [mm <sup>2</sup> (AWG)]		Earth leakage breaker	MCA (A)	MOP (A)
		Power cable	Ground			
PURY-P72TNU-A(-BS)	—	5.3 (10)	5.3 (10)	30 A 30 mA or 100 mA 0.1 sec. or less	24	40
PURY-P96TNU-A(-BS)	—	8.4 (8)	8.4 (8)	40 A 100 mA 0.1 sec. or less	33	50
PURY-P120TNU-A(-BS)	—	13.3 (6)	13.3 (6)	50 A 100 mA 0.1 sec. or less	43	70
PURY-P144TNU-A(-BS)	—	21.2 (4)	21.2 (4)	60 A 100 mA 0.1 sec. or less	52	80
PURY-P168TNU-A(-BS)	—	21.2 (4)	21.2 (4)	70 A 100 mA 0.1 sec. or less	61	100
PURY-P192TSNU-A(-BS)	PURY-P96TNU-A(-BS)	8.4 (8)	8.4 (8)	40 A 100 mA 0.1 sec. or less	33	50
	PURY-P96TNU-A(-BS)	8.4 (8)	8.4 (8)	40 A 100 mA 0.1 sec. or less	33	50
PURY-P216TSNU-A(-BS)	PURY-P120TNU-A(-BS)	13.3 (6)	13.3 (6)	50 A 100 mA 0.1 sec. or less	43	70
	PURY-P96TNU-A(-BS)	8.4 (8)	8.4 (8)	40 A 100 mA 0.1 sec. or less	33	50
PURY-P240TSNU-A(-BS)	PURY-P120TNU-A(-BS)	13.3 (6)	13.3 (6)	50 A 100 mA 0.1 sec. or less	43	70
	PURY-P120TNU-A(-BS)	13.3 (6)	13.3 (6)	50 A 100 mA 0.1 sec. or less	43	70
PURY-P264TSNU-A(-BS)	PURY-P144TNU-A(-BS)	21.2 (4)	21.2 (4)	60 A 100 mA 0.1 sec. or less	52	80
	PURY-P120TNU-A(-BS)	13.3 (6)	13.3 (6)	50 A 100 mA 0.1 sec. or less	43	70
PURY-P288TSNU-A(-BS)	PURY-P144TNU-A(-BS)	21.2 (4)	21.2 (4)	60 A 100 mA 0.1 sec. or less	52	80
	PURY-P144TNU-A(-BS)	21.2 (4)	21.2 (4)	60 A 100 mA 0.1 sec. or less	52	80
PURY-P312TSNU-A(-BS)	PURY-P168TNU-A(-BS)	21.2 (4)	21.2 (4)	70 A 100 mA 0.1 sec. or less	61	100
	PURY-P144TNU-A(-BS)	21.2 (4)	21.2 (4)	60 A 100 mA 0.1 sec. or less	52	80
PURY-P336TSNU-A(-BS)	PURY-P168TNU-A(-BS)	21.2 (4)	21.2 (4)	70 A 100 mA 0.1 sec. or less	61	100
	PURY-P168TNU-A(-BS)	21.2 (4)	21.2 (4)	70 A 100 mA 0.1 sec. or less	61	100
PURY-EP72TNU-A(-BS)	—	8.4 (8)	8.4 (8)	35 A 30 mA or 100 mA 0.1 sec. or less	23	35
PURY-EP96TNU-A(-BS)	—	13.3 (6)	13.3 (6)	45 A 100 mA 0.1 sec. or less	31	45
PURY-EP120TNU-A(-BS)	—	21.2 (4)	21.4 (4)	60 A 100 mA 0.1 sec. or less	41	60
PURY-EP144TNU-A(-BS)	—	21.2 (4)	21.2 (4)	60 A 100 mA 0.1 sec. or less	49	80
PURY-EP168TNU-A(-BS)	—	21.2 (4)	21.2 (4)	70 A 100 mA 0.1 sec. or less	57	90
PURY-EP192TNU-A(-BS)	—	33.6 (2)	33.6 (2)	80 A 100 mA 0.1 sec. or less	66	110
PURY-EP192TSNU-A(-BS)	PURY-EP96TNU-A(-BS)	13.3 (6)	13.3 (6)	45 A 100 mA 0.1 sec. or less	31	45
	PURY-EP96TNU-A(-BS)	13.3 (6)	13.3 (6)	45 A 100 mA 0.1 sec. or less	31	45
PURY-EP216TNU-A(-BS)	—	33.6 (2)	33.6 (2)	100 A 100 mA 0.1 sec. or less	73	125
PURY-EP216TSNU-A(-BS)	PURY-EP120TNU-A(-BS)	21.2 (4)	21.4 (4)	60 A 100 mA 0.1 sec. or less	41	60
	PURY-EP96TNU-A(-BS)	13.3 (6)	13.3 (6)	45 A 100 mA 0.1 sec. or less	31	45
PURY-EP240TNU-A(-BS)	—	33.6 (2)	33.6 (2)	100 A 100 mA 0.1 sec. or less	82	125
PURY-EP240TSNU-A(-BS)	PURY-EP120TNU-A(-BS)	21.2 (4)	21.2 (4)	60 A 100 mA 0.1 sec. or less	41	60
	PURY-EP120TNU-A(-BS)	21.2 (4)	21.2 (4)	60 A 100 mA 0.1 sec. or less	41	60
PURY-EP264TSNU-A(-BS)	PURY-EP144TNU-A(-BS)	21.2 (4)	21.2 (4)	60 A 100 mA 0.1 sec. or less	49	80
	PURY-EP120TNU-A(-BS)	21.2 (4)	21.2 (4)	60 A 100 mA 0.1 sec. or less	41	60
PURY-EP288TSNU-A(-BS)	PURY-EP144TNU-A(-BS)	21.2 (4)	21.2 (4)	60 A 100 mA 0.1 sec. or less	49	80
	PURY-EP144TNU-A(-BS)	21.2 (4)	21.2 (4)	60 A 100 mA 0.1 sec. or less	49	80
PURY-EP312TSNU-A(-BS)	PURY-EP168TNU-A(-BS)	21.2 (4)	21.2 (4)	70 A 100 mA 0.1 sec. or less	57	90
	PURY-EP144TNU-A(-BS)	21.2 (4)	21.2 (4)	60 A 100 mA 0.1 sec. or less	49	80
PURY-EP336TSNU-A(-BS)	PURY-EP168TNU-A(-BS)	21.2 (4)	21.2 (4)	70 A 100 mA 0.1 sec. or less	57	90
	PURY-EP168TNU-A(-BS)	21.2 (4)	21.2 (4)	70 A 100 mA 0.1 sec. or less	57	90
PURY-EP384TSNU-A(-BS)	PURY-EP192TNU-A(-BS)	33.6 (2)	33.6 (2)	80 A 100 mA 0.1 sec. or less	66	110
	PURY-EP192TNU-A(-BS)	33.6 (2)	33.6 (2)	80 A 100 mA 0.1 sec. or less	66	110
PURY-EP432TSNU-A(-BS)	PURY-EP216TNU-A(-BS)	33.6 (2)	33.6 (2)	100 A 100 mA 0.1 sec. or less	73	125
	PURY-EP216TNU-A(-BS)	33.6 (2)	33.6 (2)	100 A 100 mA 0.1 sec. or less	73	125



(2) TNU models (230 V)

Outdoor unit model	Unit combination	Minimum size [mm <sup>2</sup> (AWG)]		Earth leakage breaker	MCA (A)	MOP (A)
		Power cable	Ground			
PURY-P72TNU-A(-BS)	–	5.3 (10)	5.3 (10)	30 A 30 mA or 100 mA 0.1 sec. or less	22	35
PURY-P96TNU-A(-BS)	–	8.4 (8)	8.4 (8)	40 A 100 mA 0.1 sec. or less	30	45
PURY-P120TNU-A(-BS)	–	13.3 (6)	13.3 (6)	50 A 100 mA 0.1 sec. or less	40	60
PURY-P144TNU-A(-BS)	–	21.2 (4)	21.2 (4)	60 A 100 mA 0.1 sec. or less	48	70
PURY-P168TNU-A(-BS)	–	21.2 (4)	21.2 (4)	70 A 100 mA 0.1 sec. or less	57	90
PURY-P192TSNU-A(-BS)	PURY-P96TNU-A(-BS)	8.4 (8)	8.4 (8)	40 A 100 mA 0.1 sec. or less	30	45
	PURY-P96TNU-A(-BS)	8.4 (8)	8.4 (8)	40 A 100 mA 0.1 sec. or less	30	45
PURY-P216TSNU-A(-BS)	PURY-P120TNU-A(-BS)	13.3 (6)	13.3 (6)	50 A 100 mA 0.1 sec. or less	40	60
	PURY-P96TNU-A(-BS)	8.4 (8)	8.4 (8)	40 A 100 mA 0.1 sec. or less	30	45
PURY-P240TSNU-A(-BS)	PURY-P120TNU-A(-BS)	13.3 (6)	13.3 (6)	50 A 100 mA 0.1 sec. or less	40	60
	PURY-P120TNU-A(-BS)	13.3 (6)	13.3 (6)	50 A 100 mA 0.1 sec. or less	40	60
PURY-P264TSNU-A(-BS)	PURY-P144TNU-A(-BS)	21.2 (4)	21.2 (4)	60 A 100 mA 0.1 sec. or less	48	70
	PURY-P120TNU-A(-BS)	13.3 (6)	13.3 (6)	50 A 100 mA 0.1 sec. or less	40	60
PURY-P288TSNU-A(-BS)	PURY-P144TNU-A(-BS)	21.2 (4)	21.2 (4)	60 A 100 mA 0.1 sec. or less	48	70
	PURY-P144TNU-A(-BS)	21.2 (4)	21.2 (4)	60 A 100 mA 0.1 sec. or less	48	70
PURY-P312TSNU-A(-BS)	PURY-P168TNU-A(-BS)	21.2 (4)	21.2 (4)	70 A 100 mA 0.1 sec. or less	57	90
	PURY-P144TNU-A(-BS)	21.2 (4)	21.2 (4)	60 A 100 mA 0.1 sec. or less	48	70
PURY-P336TSNU-A(-BS)	PURY-P168TNU-A(-BS)	21.2 (4)	21.2 (4)	70 A 100 mA 0.1 sec. or less	57	90
	PURY-P168TNU-A(-BS)	21.2 (4)	21.2 (4)	70 A 100 mA 0.1 sec. or less	57	90
PURY-EP72TNU-A(-BS)	–	5.3 (10)	5.3 (10)	30 A 30 mA or 100 mA 0.1 sec. or less	21	30
PURY-EP96TNU-A(-BS)	–	13.3 (6)	13.3 (6)	45 A 100 mA 0.1 sec. or less	29	45
PURY-EP120TNU-A(-BS)	–	21.2 (4)	21.2 (4)	60 A 100 mA 0.1 sec. or less	38	60
PURY-EP144TNU-A(-BS)	–	21.2 (4)	21.2 (4)	60 A 100 mA 0.1 sec. or less	45	70
PURY-EP168TNU-A(-BS)	–	21.2 (4)	21.2 (4)	70 A 100 mA 0.1 sec. or less	53	80
PURY-EP192TNU-A(-BS)	–	33.6 (2)	33.6 (2)	80 A 100 mA 0.1 sec. or less	60	100
	PURY-EP96TNU-A(-BS)	13.3 (6)	13.3 (6)	45 A 100 mA 0.1 sec. or less	29	45
PURY-EP192TSNU-A(-BS)	PURY-EP96TNU-A(-BS)	13.3 (6)	13.3 (6)	45 A 100 mA 0.1 sec. or less	29	45
	–	33.6 (2)	33.6 (2)	90 A 100 mA 0.1 sec. or less	67	110
PURY-EP216TSNU-A(-BS)	PURY-EP120TNU-A(-BS)	21.2 (4)	21.2 (4)	60 A 100 mA 0.1 sec. or less	38	60
	PURY-EP96TNU-A(-BS)	13.3 (6)	13.3 (6)	45 A 100 mA 0.1 sec. or less	29	45
PURY-EP240TNU-A(-BS)	–	33.6 (2)	33.6 (2)	90 A 100 mA 0.1 sec. or less	75	125
PURY-EP240TSNU-A(-BS)	PURY-EP120TNU-A(-BS)	21.2 (4)	21.2 (4)	60 A 100 mA 0.1 sec. or less	38	60
	PURY-EP120TNU-A(-BS)	21.2 (4)	21.2 (4)	60 A 100 mA 0.1 sec. or less	38	60
PURY-EP264TSNU-A(-BS)	PURY-EP144TNU-A(-BS)	21.2 (4)	21.2 (4)	60 A 100 mA 0.1 sec. or less	45	70
	PURY-EP120TNU-A(-BS)	21.2 (4)	21.2 (4)	60 A 100 mA 0.1 sec. or less	38	60
PURY-EP288TSNU-A(-BS)	PURY-EP144TNU-A(-BS)	21.2 (4)	21.2 (4)	60 A 100 mA 0.1 sec. or less	45	70
	PURY-EP144TNU-A(-BS)	21.2 (4)	21.2 (4)	60 A 100 mA 0.1 sec. or less	45	70
PURY-EP312TSNU-A(-BS)	PURY-EP168TNU-A(-BS)	21.2 (4)	21.2 (4)	70 A 100 mA 0.1 sec. or less	53	80
	PURY-EP144TNU-A(-BS)	21.2 (4)	21.2 (4)	60 A 100 mA 0.1 sec. or less	45	70
PURY-EP336TSNU-A(-BS)	PURY-EP168TNU-A(-BS)	21.2 (4)	21.2 (4)	70 A 100 mA 0.1 sec. or less	53	80
	PURY-EP168TNU-A(-BS)	21.2 (4)	21.2 (4)	70 A 100 mA 0.1 sec. or less	53	80
PURY-EP384TSNU-A(-BS)	PURY-EP192TNU-A(-BS)	33.6 (2)	33.6 (2)	80 A 100 mA 0.1 sec. or less	60	100
	PURY-EP192TNU-A(-BS)	33.6 (2)	33.6 (2)	80 A 100 mA 0.1 sec. or less	60	100
PURY-EP432TSNU-A(-BS)	PURY-EP216TNU-A(-BS)	33.6 (2)	33.6 (2)	90 A 100 mA 0.1 sec. or less	67	110
	PURY-EP216TNU-A(-BS)	33.6 (2)	33.6 (2)	90 A 100 mA 0.1 sec. or less	67	110

### (3) YNU models

Outdoor unit model	Unit combination	Minimum size [mm <sup>2</sup> (AWG)]		Earth leakage breaker	MCA (A) (460 V)	MOP (A) (460 V)
		Power cable	Ground			
PURY-P72YNU-A(-BS)	—	2.1 (14)	2.1 (14)	15 A 30 mA or 100 mA 0.1 sec. or less	11	15
PURY-P96YNU-A(-BS)	—	3.3 (12)	3.3 (12)	20 A 30 mA or 100 mA 0.1 sec. or less	15	20
PURY-P120YNU-A(-BS)	—	5.3 (10)	5.3 (10)	25 A 30 mA or 100 mA 0.1 sec. or less	18	25
PURY-P144YNU-A(-BS)	—	5.3 (10)	5.3 (10)	30 A 30 mA or 100 mA 0.1 sec. or less	20	30
PURY-P168YNU-A(-BS)	—	8.4 (8)	8.4 (8)	40 A 100 mA 0.1 sec. or less	28	40
PURY-P192YSNU-A(-BS)	PURY-P96YNU-A(-BS)	3.3 (12)	3.3 (12)	20 A 30 mA or 100 mA 0.1 sec. or less	15	20
	PURY-P96YNU-A(-BS)	3.3 (12)	3.3 (12)	20 A 30 mA or 100 mA 0.1 sec. or less	15	20
PURY-P216YSNU-A(-BS)	PURY-P120YNU-A(-BS)	5.3 (10)	5.3 (10)	25 A 30 mA or 100 mA 0.1 sec. or less	18	25
	PURY-P96YNU-A(-BS)	3.3 (12)	3.3 (12)	20 A 30 mA or 100 mA 0.1 sec. or less	15	20
PURY-P240YSNU-A(-BS)	PURY-P120YNU-A(-BS)	5.3 (10)	5.3 (10)	25 A 30 mA or 100 mA 0.1 sec. or less	18	25
	PURY-P120YNU-A(-BS)	5.3 (10)	5.3 (10)	25 A 30 mA or 100 mA 0.1 sec. or less	18	25
PURY-P264YSNU-A(-BS)	PURY-P144YNU-A(-BS)	5.3 (10)	5.3 (10)	30 A 30 mA or 100 mA 0.1 sec. or less	20	30
	PURY-P120YNU-A(-BS)	5.3 (10)	5.3 (10)	25 A 30 mA or 100 mA 0.1 sec. or less	18	25
PURY-P288YSNU-A(-BS)	PURY-P144YNU-A(-BS)	5.3 (10)	5.3 (10)	30 A 30 mA or 100 mA 0.1 sec. or less	20	30
	PURY-P144YNU-A(-BS)	5.3 (10)	5.3 (10)	30 A 30 mA or 100 mA 0.1 sec. or less	20	30
PURY-P312YSNU-A(-BS)	PURY-P168YNU-A(-BS)	8.4 (8)	8.4 (8)	40 A 100 mA 0.1 sec. or less	28	40
	PURY-P144YNU-A(-BS)	5.3 (10)	5.3 (10)	30 A 30 mA or 100 mA 0.1 sec. or less	20	30
PURY-P336YSNU-A(-BS)	PURY-P168YNU-A(-BS)	8.4 (8)	8.4 (8)	40 A 100 mA 0.1 sec. or less	28	40
	PURY-P168YNU-A(-BS)	8.4 (8)	8.4 (8)	40 A 100 mA 0.1 sec. or less	28	40
PURY-EP72YNU-A(-BS)	—	2.1 (14)	2.1 (14)	15 A 30 mA or 100 mA 0.1 sec. or less	10	15
PURY-EP96YNU-A(-BS)	—	3.3 (12)	3.3 (12)	20 A 30 mA or 100 mA 0.1 sec. or less	14	20
PURY-EP120YNU-A(-BS)	—	5.3 (10)	5.3 (10)	30 A 30 mA or 100 mA 0.1 sec. or less	19	30
PURY-EP144YNU-A(-BS)	—	8.4 (8)	8.4 (8)	35 A 30 mA or 100 mA 0.1 sec. or less	22	35
PURY-EP168YNU-A(-BS)	—	8.4 (8)	8.4 (8)	40 A 100 mA 0.1 sec. or less	26	40
PURY-EP192YNU-A(-BS)	—	8.4 (8)	8.4 (8)	40 A 100 mA 0.1 sec. or less	30	50
PURY-EP192YSNU-A(-BS)	PURY-EP96YNU-A(-BS)	3.3 (12)	3.3 (12)	20 A 30 mA or 100 mA 0.1 sec. or less	14	20
	PURY-EP96YNU-A(-BS)	3.3 (12)	3.3 (12)	20 A 30 mA or 100 mA 0.1 sec. or less	14	20
PURY-EP216YNU-A(-BS)	—	13.3 (6)	13.3 (6)	50 A 100 mA 0.1 sec. or less	33	50
PURY-EP216YSNU-A(-BS)	PURY-EP120YNU-A(-BS)	5.3 (10)	5.3 (10)	30 A 30 mA or 100 mA 0.1 sec. or less	19	30
	PURY-EP96YNU-A(-BS)	3.3 (12)	3.3 (12)	20 A 30 mA or 100 mA 0.1 sec. or less	14	20
PURY-EP240YNU-A(-BS)	—	13.3 (6)	13.3 (6)	50 A 100 mA 0.1 sec. or less	37	60
PURY-EP240YSNU-A(-BS)	PURY-EP120YNU-A(-BS)	5.3 (10)	5.3 (10)	30 A 30 mA or 100 mA 0.1 sec. or less	19	30
	PURY-EP120YNU-A(-BS)	5.3 (10)	5.3 (10)	30 A 30 mA or 100 mA 0.1 sec. or less	19	30
PURY-EP264YSNU-A(-BS)	PURY-EP144YNU-A(-BS)	8.4 (8)	8.4 (8)	35 A 30 mA or 100 mA 0.1 sec. or less	22	35
	PURY-EP120YNU-A(-BS)	5.3 (10)	5.3 (10)	30 A 30 mA or 100 mA 0.1 sec. or less	19	30
PURY-EP288YSNU-A(-BS)	PURY-EP144YNU-A(-BS)	8.4 (8)	8.4 (8)	35 A 30 mA or 100 mA 0.1 sec. or less	22	35
	PURY-EP144YNU-A(-BS)	8.4 (8)	8.4 (8)	35 A 30 mA or 100 mA 0.1 sec. or less	22	35
PURY-EP312YSNU-A(-BS)	PURY-EP168YNU-A(-BS)	8.4 (8)	8.4 (8)	40 A 100 mA 0.1 sec. or less	26	40
	PURY-EP144YNU-A(-BS)	8.4 (8)	8.4 (8)	35 A 30 mA or 100 mA 0.1 sec. or less	22	35
PURY-EP336YSNU-A(-BS)	PURY-EP168YNU-A(-BS)	8.4 (8)	8.4 (8)	40 A 100 mA 0.1 sec. or less	26	40
	PURY-EP168YNU-A(-BS)	8.4 (8)	8.4 (8)	40 A 100 mA 0.1 sec. or less	26	40
PURY-EP384YSNU-A(-BS)	PURY-EP192YNU-A(-BS)	8.4 (8)	8.4 (8)	40 A 100 mA 0.1 sec. or less	30	50
	PURY-EP192YNU-A(-BS)	8.4 (8)	8.4 (8)	40 A 100 mA 0.1 sec. or less	30	50
PURY-EP432YSNU-A(-BS)	PURY-EP216YNU-A(-BS)	13.3 (6)	13.3 (6)	50 A 100 mA 0.1 sec. or less	33	50
	PURY-EP216YNU-A(-BS)	13.3 (6)	13.3 (6)	50 A 100 mA 0.1 sec. or less	33	50

- The wire size is the minimum value for metal conduit wiring. If the voltage drops, use a wire that is one size thicker in diameter. Make sure the power-supply voltage does not drop more than 10%. Make sure that the voltage imbalance between the phases is 2% or less.
- Power supply cords of parts of appliances for outdoor use shall not be lighter than polychloroprene sheathed flexible cord (design 245 IEC57). For example, use wiring such as YZW.

## 10-3. Control cable specifications

### • Transmission cable

Type	2-core shielded cable CVVS, CPEVS, or MVVS
Size	1.25 mm <sup>2</sup> (AWG 16)
Length	Max. 200 m (656 ft)
Remarks	The maximum allowable length of transmission cables via outdoor units (both centralized control transmission cables and indoor-outdoor transmission cables) is 500 m (1640 ft)*1. The maximum allowable length of transmission cables from the power supply unit to each outdoor unit or to the system controller is 200 m (656 ft).

\* Do not use a single multiple-core cable to connect indoor units that belong to different refrigerant systems. The use of a multiple-core cable may result in signal transmission errors and malfunctions.

\* Ensure shield continuity when extending the transmission cable.

\*1 When extending the length of the transmission cables to 1000 m (3280 ft), consult your dealer.

### • Remote controller cable

	ME remote controller cable	MA remote controller cable
Type	2-core sheathed cable (unshielded) CVV	
Size	0.3–1.25 mm <sup>2</sup> (AWG 22–16) (0.75–1.25 mm <sup>2</sup> (AWG 18–16) if a simple remote controller is connected)	
Length	Max. 10 m (32 ft) * If the length exceeds 10 m (32 ft), use a 1.25 mm <sup>2</sup> (AWG 16) shielded cable.	Max. 200 m (656 ft)

# 10-4. System configuration

- Unit code and the maximum number of connectable units

Unit type		Code	Number of connectable units
Outdoor unit	Main unit	OC	—
	Sub unit	OS	—
Indoor unit		IC	1 to 50 units per OC (depends on the unit model)
BC controller	Main	BC	1 unit per OC
	Sub	BS	0 to 11 units per OC
Remote controller		RC	0 to 2 units per group
Transmission booster unit		RP	0 to 2 units per OC

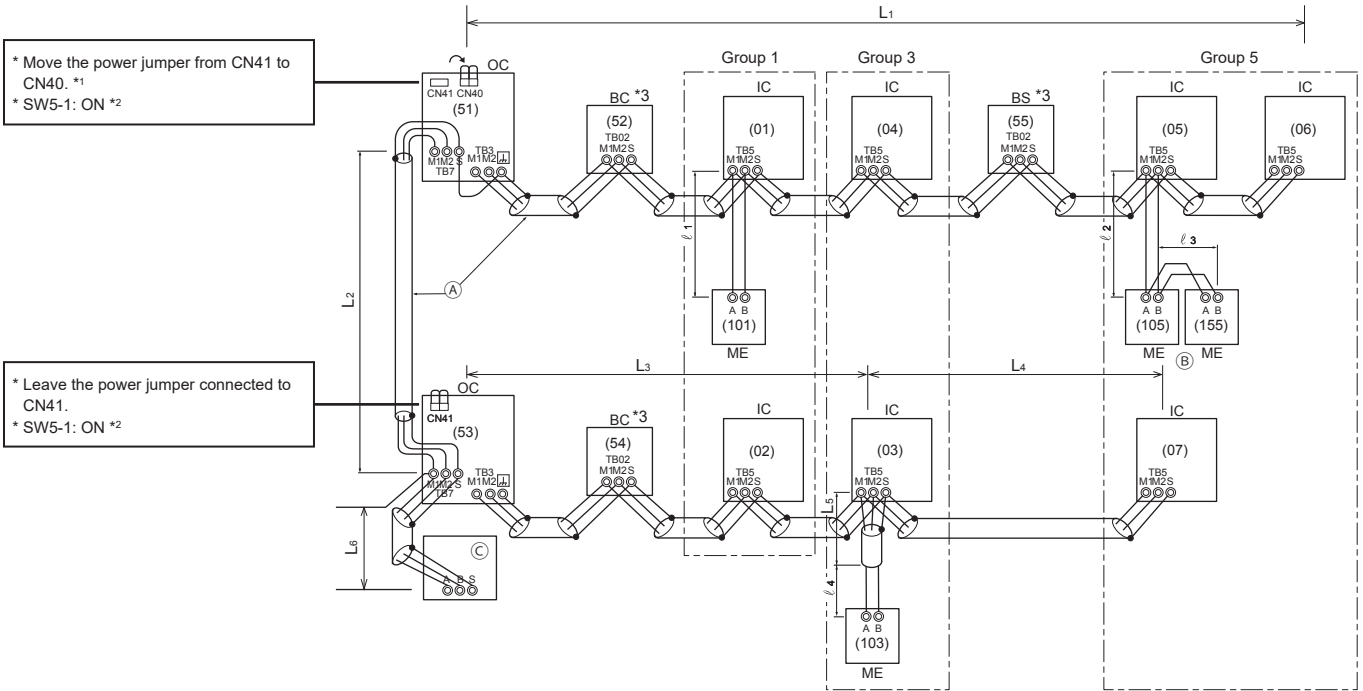
\* A transmission booster may be required depending on the number of connected indoor units. The outdoor unit does not support PAC-SF46EPA but PAC-SF46EPA-G only.

\* The outdoor units in the same refrigerant circuit are automatically designated as OC and OS. The outdoor units are designated as OC and OS in the order of capacity from large to small (if two or more units have the same capacity, in the order of address from small to large).

- System configuration example

\* The numbers in the parentheses in the figures below indicate address numbers.

### (1) When ME remote controllers are connected



- (A) Shielded cable
- (B) Sub remote controller
- (C) System controller

\*1 When a power supply unit is not connected to the centralized control transmission cable, move the power jumper from CN41 to CN40 on only one of the outdoor units (except TNU model). When the System controller is connected to TB7 side and TNU outdoor unit model is used, connect a power supply unit to TB7 side. If a power supply unit cannot be used, connect the System controller to TB3 side. Up to three System controllers can be connected to TB3 side.

\*2 If a system controller is used, set SW5-1 on all of the outdoor units to ON.

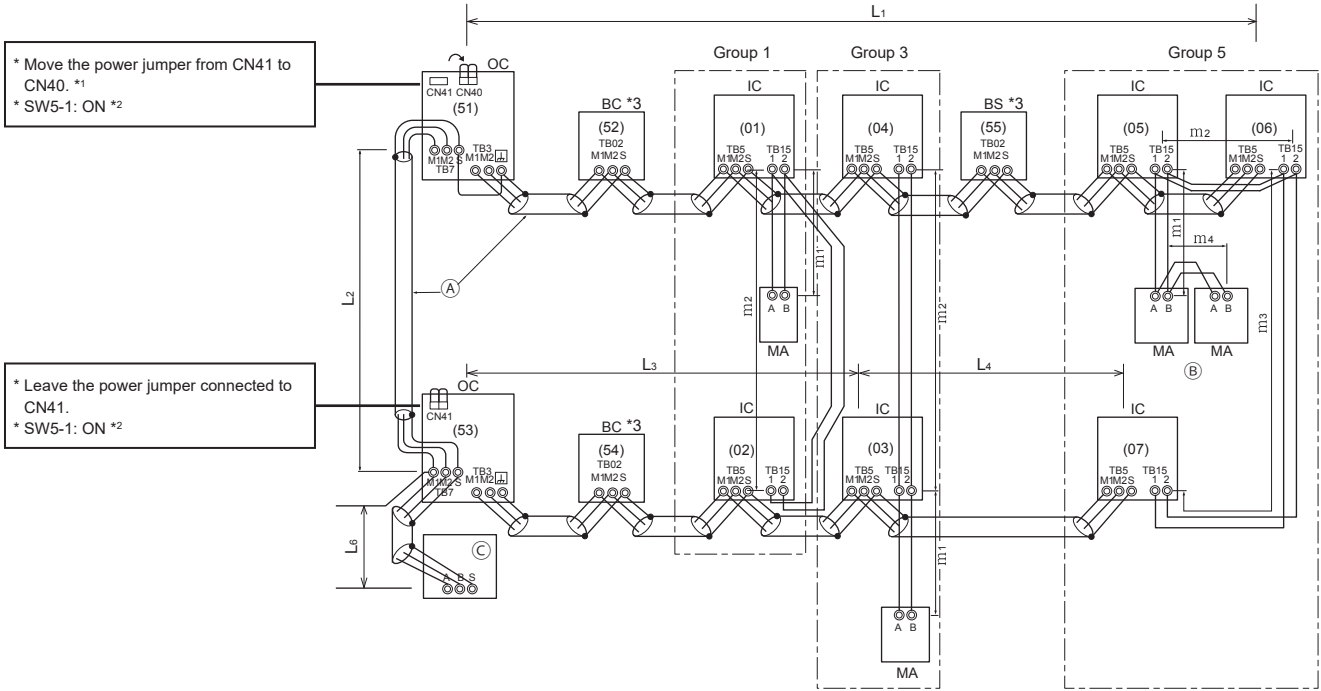
\*3 BC, BS

#### Maximum allowable length of control cables

Transmission cables via outdoor units	$L_1 + L_2 + L_3 + L_4, L_1 + L_2 + L_3 + L_5, L_1 + L_2 + L_6 \leq 500 \text{ m (1640 ft)}$
Transmission cables	$L_1, L_3 + L_4, L_3 + L_5, L_6, L_2 + L_6 \leq 200 \text{ m (656 ft)}$
Remote controller cables	$l_1, l_2, l_3, l_4 \leq 10 \text{ m (32 ft)}$ * If the length exceeds 10 m (32 ft), the length that exceeds 10 m (32 ft) needs to be included in the maximum allowable length of transmission cables above.

\*4 When extending the length of the transmission cables to 1000 m (3280 ft), consult your dealer.

(2) When MA remote controllers are connected



- (A) Shielded cable
- (B) Sub remote controller
- (C) System controller

\*1 When a power supply unit is not connected to the centralized control transmission cable, move the power jumper from CN41 to CN40 on only one of the outdoor units (except TNU model). When the System controller is connected to TB7 side and TNU outdoor unit model is used, connect a power supply unit to TB7 side. If a power supply unit cannot be used, connect the System controller to TB3 side. Up to three System controllers can be connected to TB3 side.

\*2 If a system controller is used, set SW5-1 on all of the outdoor units to ON.

\*3 When a PAR-31MAA is connected to a group, no other MA remote controllers can be connected to the same group.

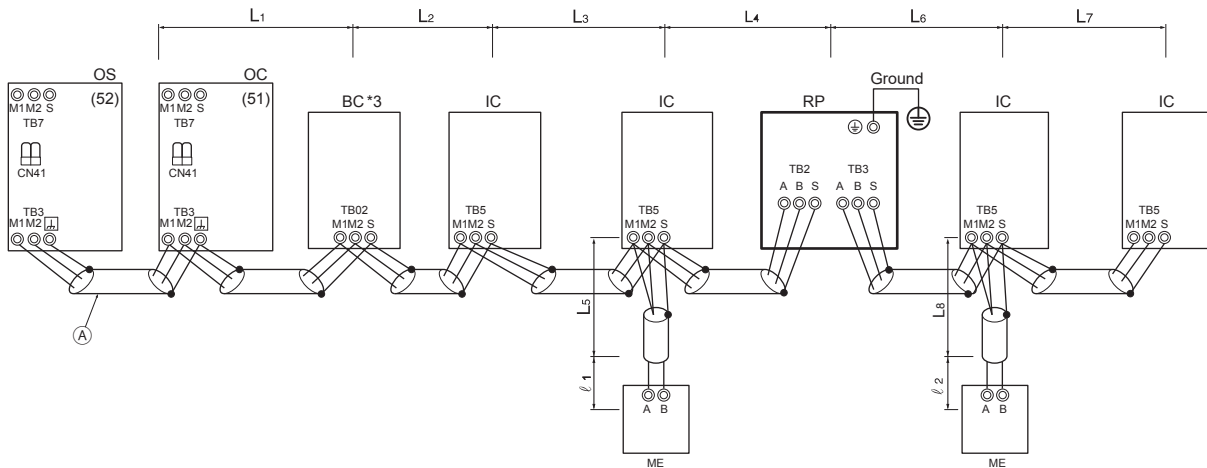
\*4 BC, BS

Maximum allowable length of control cables

Transmission cables via outdoor units	$L_1 + L_2 + L_3 + L_4, L_1 + L_2 + L_6 \leq 500$ m (1640 ft)
Transmission cables	$L_1, L_3 + L_4, L_6, L_2 + L_6 \leq 200$ m (656 ft)
Remote controller cables	$m_1 + m_2, m_1 + m_2 + m_3 + m_4 \leq 200$ m (656 ft)

\*5 When extending the length of the transmission cables to 1000 m (3280 ft), consult your dealer.

(3) When a transmission booster unit is connected



- (A) Shielded cable

\*1 Daisy-chain terminals (TB3) on outdoor units together in the same refrigerant system.

\*2 Leave the power jumper connected to CN41. When connecting a system controller to the transmission line (TB7) for centralized control, refer to (1), (2), or DATA BOOK.

\*3 BC

Maximum allowable length of control cables

Transmission cables	$L_1 + L_2 + L_3 + L_4 + L_6 + L_7, L_1 + L_2 + L_3 + L_4 + L_6 + L_8, L_1 + L_2 + L_3 + L_5, L_7 + L_6 + L_4 + L_5, L_5 + L_4 + L_6 + L_8 \leq 200$ m (656 ft)
Remote controller cables	$l_1, l_2 \leq 10$ m (32 ft) * If the length exceeds 10 m (32 ft), the length that exceeds 10 m (32 ft) needs to be included in the maximum allowable length of transmission cables above.

## 10-5. Wiring connections in the control box

### **! WARNING**

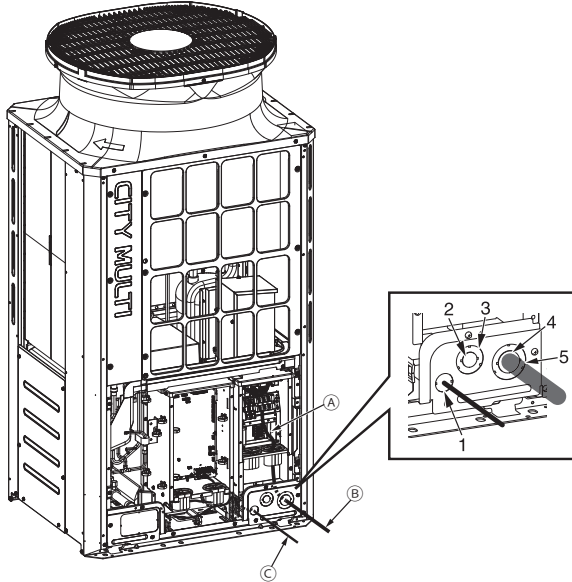
Connections must be made securely and without tension on the terminals.

- Improperly connected cables may break, overheat, or cause smoke or fire.

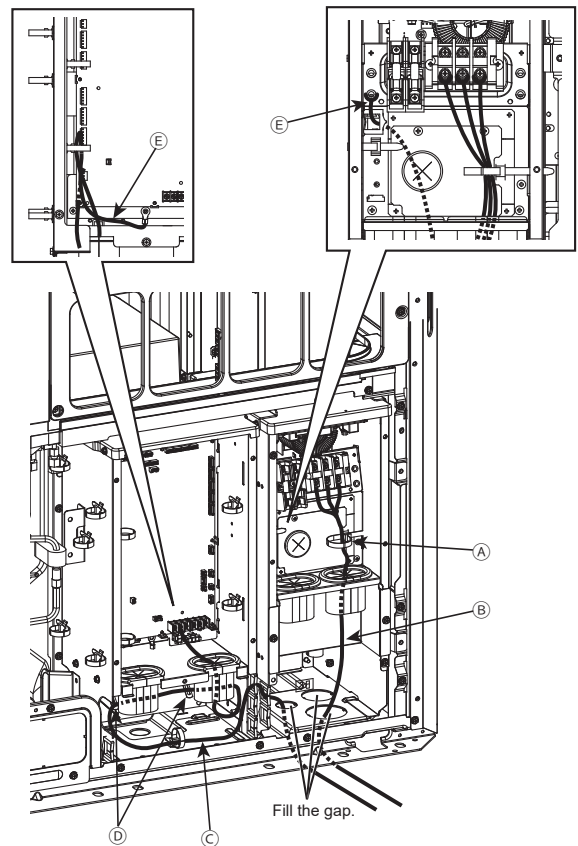
### 10-5-1. Threading power cable through the knockout hole

- Open the front panel when performing wiring work.
- Punch out the knockout holes at the bottom of the front panel or base with a hammer. Use the appropriate knockout hole according to the size of the power cable, referring to the table below.

(1) When routing the wiring through the front of the unit



(2) When routing the wiring through the bottom of the unit



Power cable size (mm <sup>2</sup> )	Knockout hole to be used
2, 3.5, 5.5	Knockout hole 2
8, 14	Knockout hole 4
21, 26, 33	Knockout hole 3
53, 67, 84	Knockout hole 5

- (A) Cable strap
- (B) Power cable
- (C) Transmission cable  
The length of the section after the cable access hole must be at least 1100 mm (43 in).
- (D) Clamp
- (E) Ground wire that connects Main Box and Inverter Box

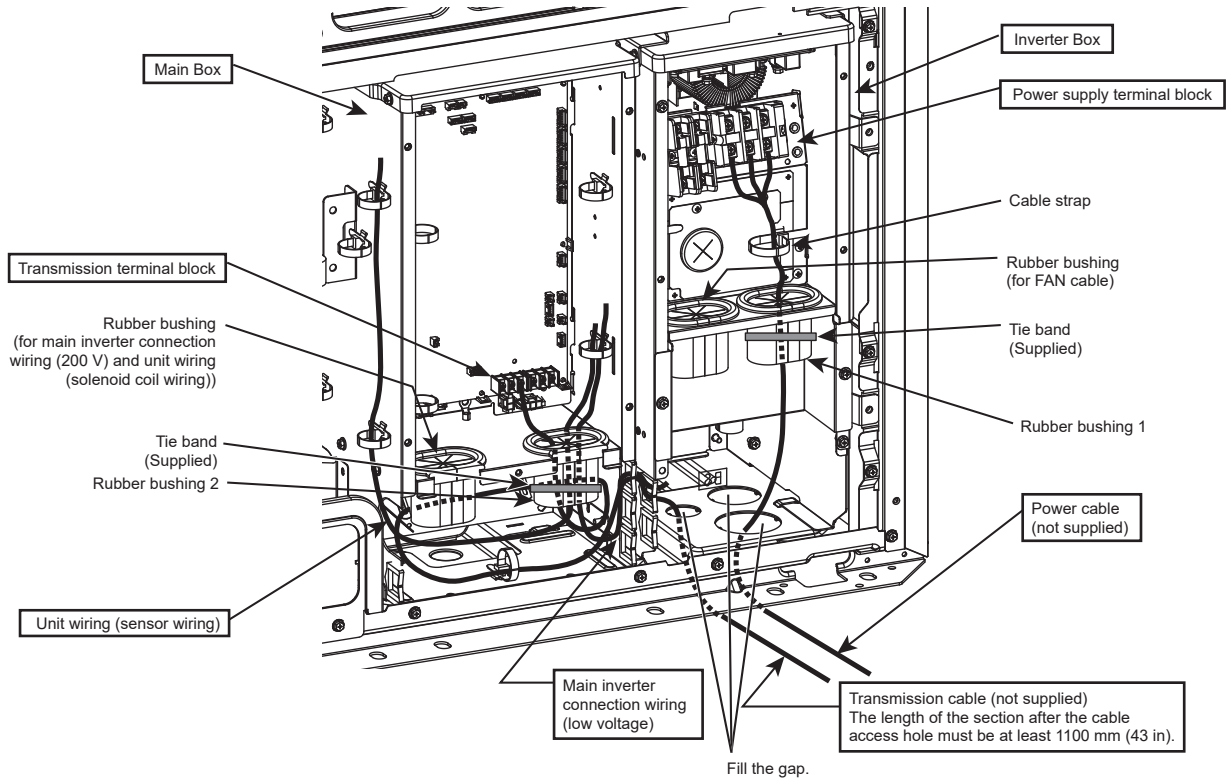
<Notice>

- Do not remove the ground wire that connects Main Box and Inverter Box.
- Install the transmission cable as shown in the figure above so that the cable is long enough for the Main Box to be moved for servicing.
- If there are any gaps around the power cable and transmission cable, please be sure to fill these in with a suitable material to prevent snow from entering, which may cause damage to the electrical parts, and to protect your hands from direct contact with cables.
- When putting the power cable through the knockout hole without using a conduit tube, deburr the hole and protect the power cable with protective tape.
- Use a conduit tube to narrow down the opening if there is a possibility of small animals entering the unit.
- When taking the conduit tube out from the bottom part of the unit, caulk around the tube opening to prevent water infiltration.

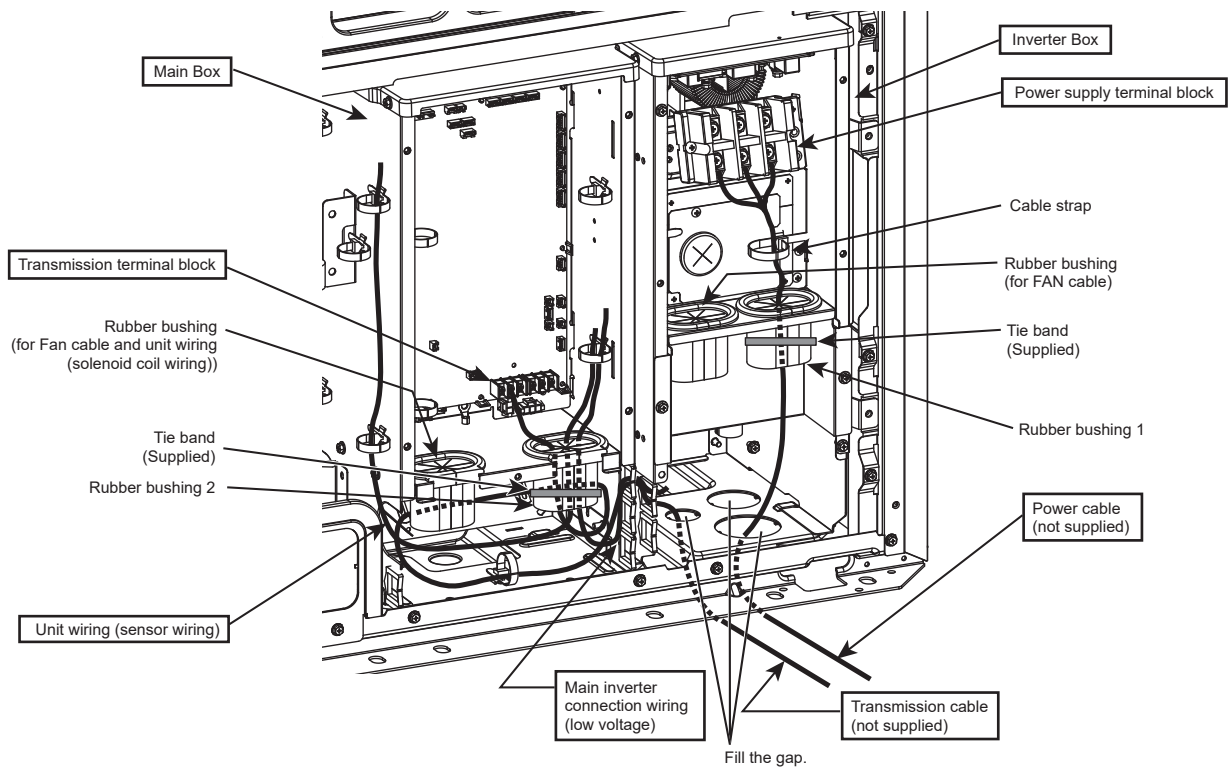
## 10-5-2. Fixing the cables in place

Route the cables as shown in the figures below.

• (E)P72 YNU

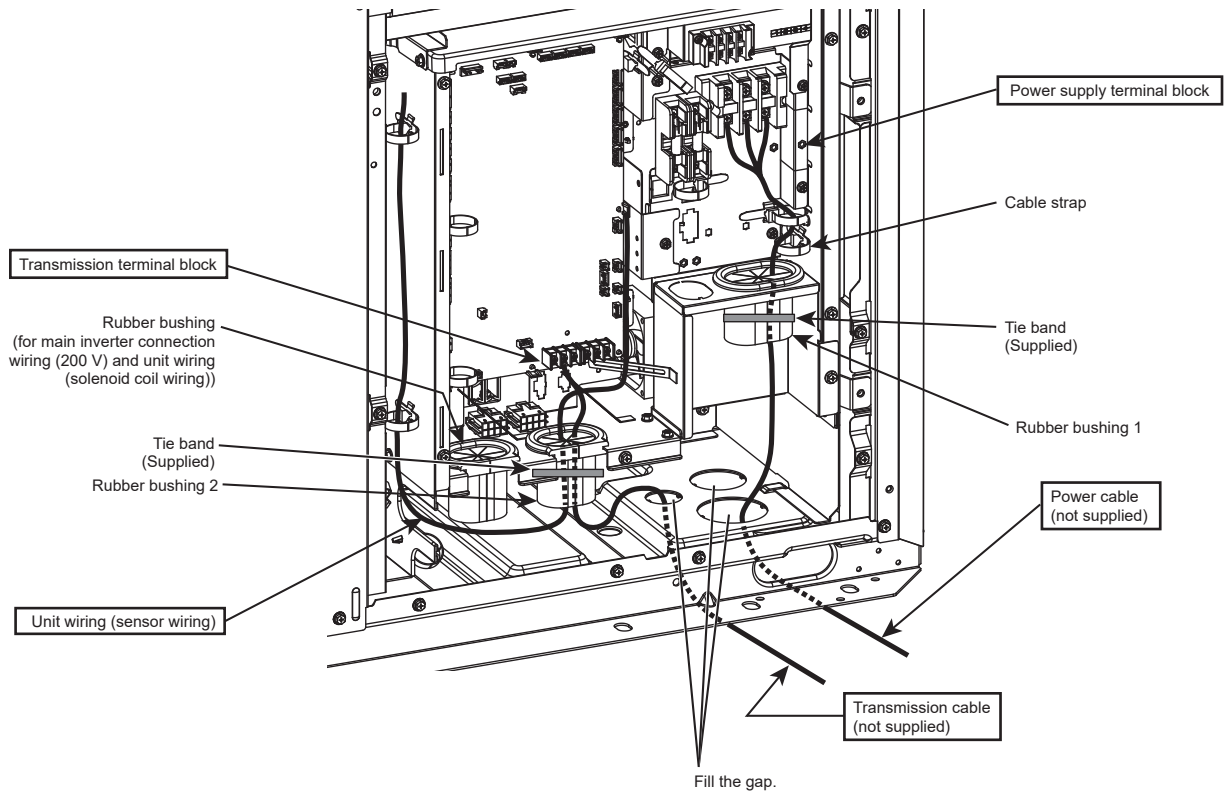


• (E)P72 TNU

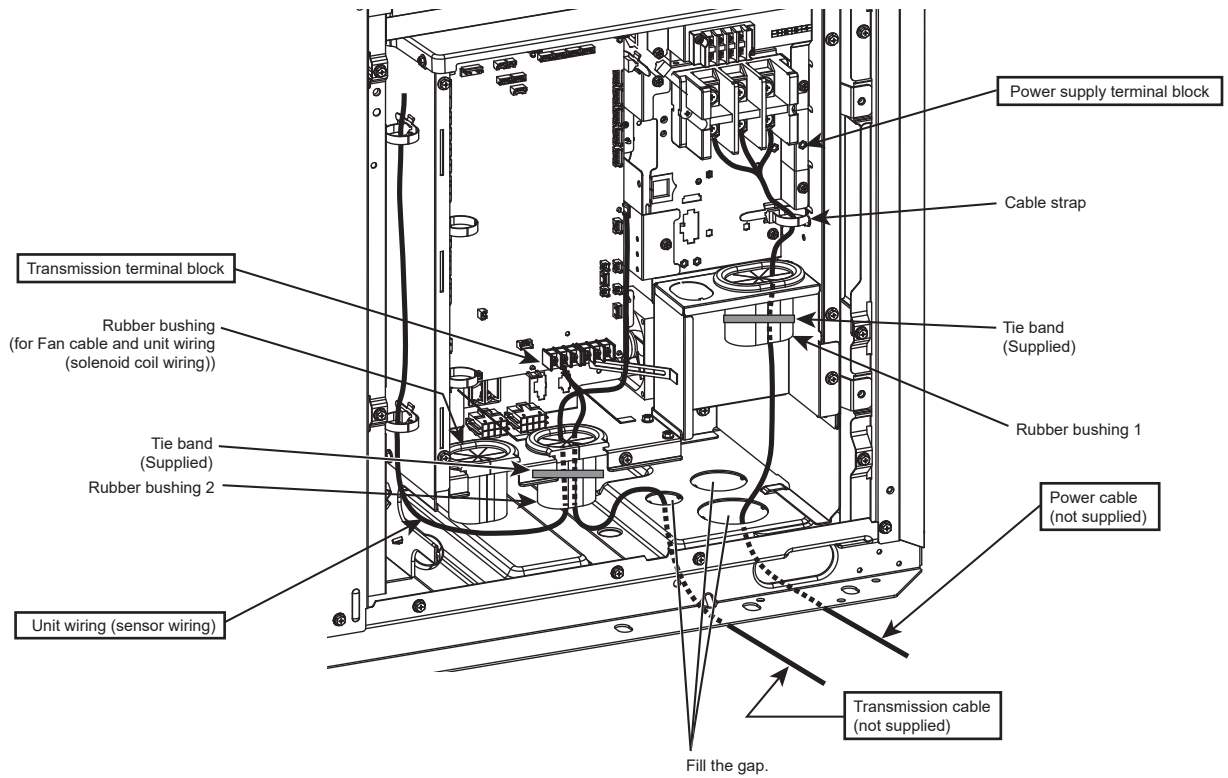




• (E)P96 to 240 YNU



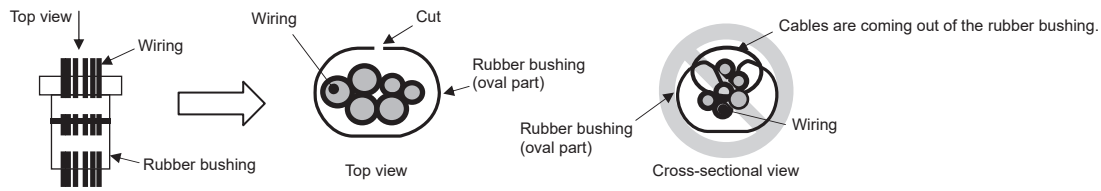
• (E)P96 to 240 TNU



Take the procedure below.

- ① Thread the power cable through the rubber bushing 1. (See \*1 and \*2 below.)
- ② Thread the unit wiring (sensor wiring) and the transmission cable through the rubber bushing 2. (See \*1 and \*2 below.)
- ③ Hold the power cable and the transmission cable in place respectively with the cable straps.
- ④ Secure each rubber bushing with the supplied tie band. (See \*3 below.)

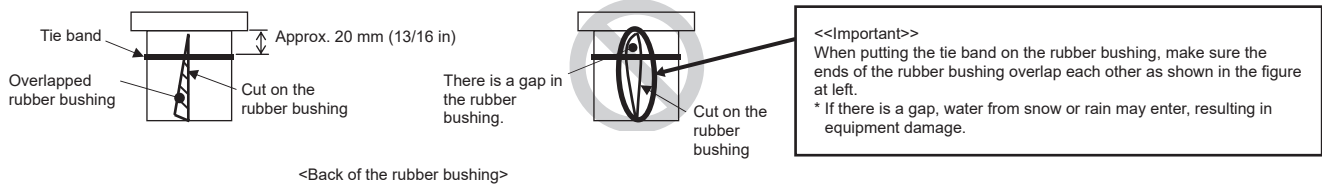
\*1 Make sure the cables are not coming out of the rubber bushing cut.



\*2 When threading the wiring through the rubber bushing, make sure the rubber bushing will not come off the sheet metal on the control box.



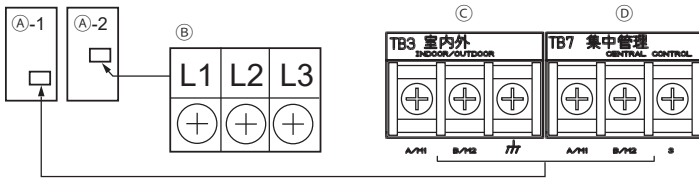
\*3 When tying the supplied tie band around the rubber bushing, make sure to leave no gap between the ends.





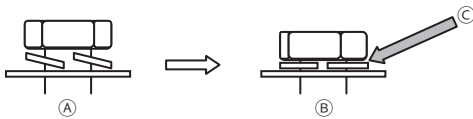
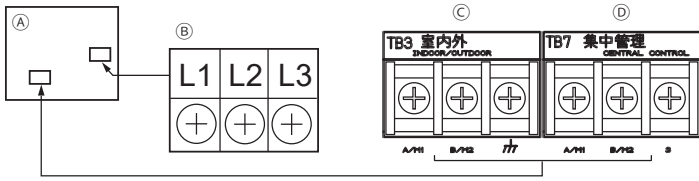
### 10-5-3. Connecting the cables

(E)P72

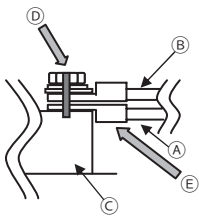


- Ⓐ Control box
- Ⓑ Power supply terminal block (TB1)
- Ⓒ Terminal block for indoor-outdoor transmission cable (TB3)
- Ⓓ Terminal block for centralized control transmission cable (TB7)

(E)P96 to 240



- Ⓐ Terminal block with loose screws
- Ⓑ Properly installed terminal block
- Ⓒ Spring washers must be parallel to the terminal block.



- Ⓐ Power cables, transmission cables
- Ⓑ Daisy-chain (transmission cables only)
- Ⓒ Terminal blocks (TB1, TB3, TB7)
- Ⓓ Make an alignment mark.
- Ⓔ Install the ring terminals back to back.

#### <Notice>

- Connect the cables respectively to the power supply terminal block and the transmission terminal block. Erroneous connection does not allow the system to operate.
- Never connect the power cable to the transmission terminal block. If connected, electrical parts will be damaged.
- Transmission cables should be (5 cm (2 in) or more) apart from the power cable so that it is not influenced by electric noise from the power cable. (Do not put the transmission cables and the power cable in the same conduit.)
- Follow the tightening torque for each screw type as shown below. Be careful not to use excessive torque as this could damage the screw.  
Terminal block (TB1, TNU (M8 screw): 10–13.5 [N·m], YNU (M6 screw)): 2.5–2.9 [N·m]  
Terminal block (TB3, TB7 (M3.5 screw)): 0.82–1.0 [N·m]
- When tightening the screws, do not push the driver strongly to avoid damaging the screw.
- Make an alignment mark with a permanent marker across the screw head, washer, and terminal after tightening the screws.

Take the procedure below to connect the cables.

- ① Connect the indoor-outdoor transmission cable to TB3.  
If multiple outdoor units are connected to the same refrigerant system, daisy-chain TB3 (M1, M2, ground) on the outdoor units. The indoor-outdoor transmission cable to the indoor unit should be connected to TB3 (M1, M2, ground) of only one of the outdoor units. Connect the shield to the ground terminal.
- ② Connect the centralized control transmission cables (between the centralized control system and the outdoor units of different refrigerant systems) to TB7.  
If multiple outdoor units are connected to the same refrigerant system, daisy-chain TB7 (M1, M2, S) on all outdoor units.\*1 Connect the shield to the S terminal.  
\*1 If TB7 on the outdoor units in the same refrigerant system are not daisy-chained, connect the centralized control transmission cable to TB7 on the OC. If the OC is out of order, or if centralized control is being conducted during a power supply shut-off, daisy-chain TB7 on the OC and OS. (In the case that the outdoor unit whose power jumper CN41 on the control board has been replaced with CN40 is out of order or the power is shut-off, centralized control will not be conducted even when TB7 is daisy-chained.)
- ③ When a power supply unit is not connected to the centralized control transmission cable, move the power jumper from CN41 to CN40 on only one of the outdoor units (except TNU model). When the System controller is connected to TB7 side and TNU outdoor unit model is used, connect a power supply unit to TB7 side. If a power supply unit cannot be used, connect the System controller to TB3 side. Up to three System controllers can be connected to TB3 side.
- ④ On the outdoor unit whose power jumper was moved from CN41 to CN40, short circuit the S terminal and the ground terminal.
- ⑤ Connect terminals M1 and M2 of the transmission terminal block on the indoor unit that has the lowest address in the group to the terminal block on the remote controller.
- ⑥ When a system controller is connected, set SW5-1 on all outdoor units to ON.
- ⑦ Fix the cables securely in place with the cable strap below the terminal block.

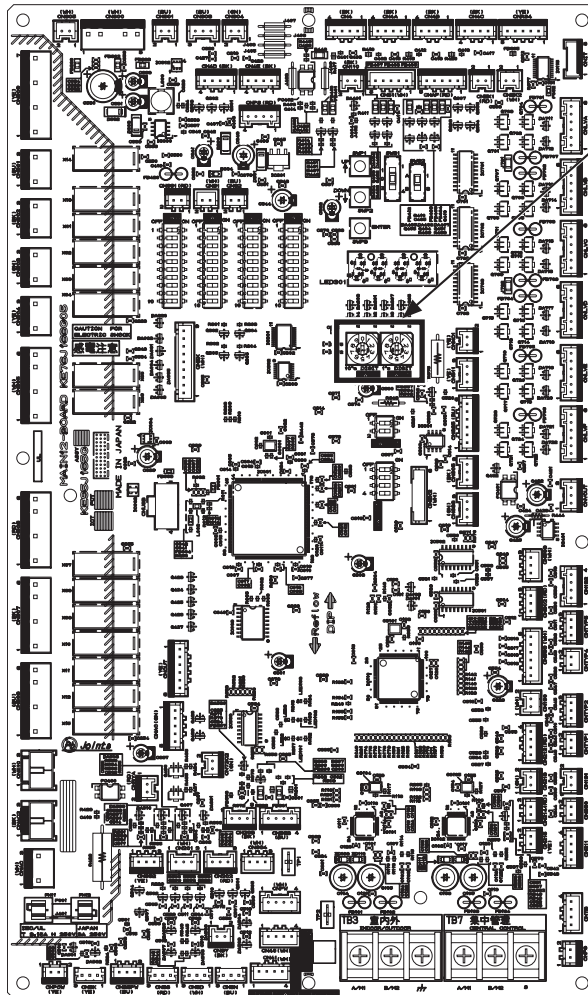
# 10-6. Address setting

- Set the address setting switch as follows.

		Address setting method	Address
Indoor unit (Main, Sub)		Assign the lowest address to the main indoor unit in the group, and assign sequential addresses to the rest of the indoor units in the same group. * In an R2 system with a sub BC controller, make the settings for the indoor units in the following order. (Set the addresses so that the addresses of ① are smaller than those of ②, and the addresses of ② are smaller than those of ③.) ① Indoor units that are connected to the main BC controller or main HBC controller ② Indoor units that are connected to sub BC controller 1 ③ Indoor units that are connected to sub BC controller 2	01 to 50
Outdoor unit (OC, OS)		Assign sequential addresses to the outdoor units in the same refrigerant system. * To set the address to 100, the address setting switch must be set to 50.	51 to 100
BC controller	Main	Assign an address that equals the address of the outdoor unit plus 1. If the address that is assigned to the main BC controller overlaps any of the addresses that are assigned to the outdoor units or to the sub BC controller, use a different, unused address within the setting range. * To set the address to 100, the address setting switch must be set to 50.	51 to 100
	Sub	Assign an address that equals the lowest address of the indoor units that are connected to the sub BC controller plus 50. * To set the address to 100, the address setting switch must be set to 50.	51 to 100
ME remote controller	Main	Assign an address that equals the address of the main indoor unit in the group plus 100.	101 to 150
	Sub	Assign an address that equals the address of the main indoor unit in the group plus 150.	151 to 200
MA remote controller		Address setting is not required. (The Main/Sub setting is required.)	—

\* The outdoor units in the same refrigerant circuit are automatically designated as OC and OS. The outdoor units are designated as OC and OS in the order of capacity from large to small (if two or more units have the same capacity, in the order of address from small to large).

\* Make indoor unit group settings from remote controllers after turning on the power to all units.



Address setting switch (Outdoor units)

# 11. Test run

---

## 11-1. Before a test run

### CAUTION

**After the wiring work has been completed, measure the insulation resistance, and make sure that it reads at least 1 MΩ.**

- Failure to do so may result in electric leakage, malfunction, or fire.

---

**Turn on the power at least 12 hours before starting operation. Keep the power turned on throughout the operating season.**

- Insufficient energizing will result in malfunction.

- Before performing a test run, turn off the power to the outdoor unit, and disconnect the power cable from the power supply terminal block to measure the insulation resistance.
- Measure the insulation resistance between the power supply terminal block and the earth with a 500 V ohmmeter, and make sure it is at least 1 MΩ.
- If the insulation resistance is 1 MΩ or above, connect the power cable to the power supply terminal, and turn on the power at least 12 hours before starting operation. If the insulation resistance is below 1 MΩ, do not operate the unit, and check the compressor for a earth fault.
- While the unit is turned on, the compressor will remain energized even when it is stopped.
- The insulation resistance between the power supply terminal block and the earth may drop to near 1 MΩ immediately after installation or when the main power to the unit has been turned off for a long time because of the stagnation of refrigerant in the compressor.
- By turning on the main power and energizing the unit for 12 hours or longer, the refrigerant in the compressor will evaporate and the insulation resistance will rise.
- Do not apply an ohmmeter voltage to the terminal block for transmission cables. Doing so will damage the control board.
- Do not measure the insulation resistance of the transmission terminal block of the unit remote controller.
- Check for refrigerant leakage and for loose power cables and transmission cables.
- Check that the high-pressure side and low-pressure side service valves are fully open. Tighten the valve caps.
- Check the phase order of the power supply and the interphase voltage. If the voltage is out of the  $\pm 10\%$  range, or if the voltage imbalance is more than 2%, discuss the countermeasure with the customer.
- When a transmission booster unit is connected, turn on the transmission booster unit before turning on the outdoor unit. If the outdoor unit is turned on first, the refrigerant circuit connection information will not be properly verified. If the outdoor unit is turned on first, turn on the transmission booster unit and then power reset the outdoor unit.
- When a power supply unit is connected to the centralized control transmission cable, or when power is supplied from a system controller with a power-supply function, perform a test run with the power supply unit being energized. Leave the power jumper connected to CN41.
- When power is turned on or after power recovery, performance may degrade for approximately 30 minutes.

## 11-2. Function setting

Make function settings by setting the dipswitches SW4, SW6, and SWP3 on the main board.

Write down the switch settings on the electrical wiring diagram label on the control box front panel for future reference when the control box needs to be replaced.

- Take the following steps to make temperature unit (°C or °F) settings.

- ① Set the 10th bit of SW6 to ON.
- ② Set SW4 as shown in the table below to select the setting item No.921. (The setting item No. will be displayed on LED1.)
- ③ Press SWP3 for two seconds or longer to change the settings. (The settings can be checked on LED3.)

	Setting item No.	SW4 0: OFF, 1: ON *1										Setting (LED3 display) *2	
		1	2	3	4	5	6	7	8	9	10	Unlit	Lit
Temperature unit setting	921	1	0	0	1	1	0	0	1	1	1	°C	°F

\*1 Make the SW4 setting after the unit is energized.

\*2 This will blink while the system is starting up.

- Make various function settings by setting SW5 and SW6, referring to the table below.

	Setting content	Setting		Switch setting timing
		OFF	ON	
SW5-1	Centralized control switch	Without connection to the centralized controller	With connection to the centralized controller	Before being energized
SW5-2	Deletion of connection information	Normal control	Deletion	Before being energized
SW5-3	—	Preset before shipment		—
SW5-4	—			—
SW5-5	—			—
SW5-6	—			—
SW5-7	—			—
SW5-8	—			—

	Setting content	Setting		Switch setting timing
		OFF	ON	
SW6-1	—	—	—	—
SW6-2	—	—	—	—
SW6-3	—	—	—	—
SW6-4	High static pressure setting	Refer to *1.	Refer to *1.	Before being energized
SW6-5				
SW6-6	—	—	—	—
SW6-7	Low-noise mode selection	Performance priority	Low-noise priority	Any time after being energized
SW6-8	Selection of Low-noise or Demand	Low-noise (Night)	Demand	Before being energized
SW6-9	Selection of Diagnostic display or Function detail setting	Refer to *2.	Refer to *2.	Any time after being energized
SW6-10				

\* Do not change the factory settings of SW5-3 through SW5-8.

\* Unless otherwise specified, leave the switch to OFF where indicated by "—," which may be set to OFF for a reason.

\*1

	SW6-5: ON	SW6-5: OFF
SW6-4: ON	80 Pa	60 Pa
SW6-4: OFF	30 Pa	0 Pa

\*2

	SW6-10: ON	SW6-10: OFF
SW6-9: ON	LED (round type) No. 0 to 1023	LED (7seg) No. 1024 to 2047
SW6-9: OFF	Function setting No. 0 to 1023	LED (7seg) No. 0 to 1023

## 11-3. Operation characteristics in relation to the refrigerant charge

It is important to have a clear understanding of the characteristics of refrigerant and the operation characteristics of air conditioners before attempting to adjust the refrigerant charge in a given system.

- During cooling operation, the amount of refrigerant in the accumulator is the smallest when all indoor units are in operation.
- During heating operation, the amount of refrigerant in the accumulator is the largest when all indoor units are in operation.
- Refrigerant undercharge creates a tendency for the discharge temperature to rise.
- Changing the amount of refrigerant in the system while there is refrigerant in the accumulator has little effect on the discharge temperature.
- The higher the high pressure level, the more likely it is for the discharge temperature to rise.
- The lower the low pressure level, the more likely it is for the discharge temperature to rise.
- When the amount of refrigerant in the system is adequate, the compressor shell temperature is 10 to 60°C (50 to 140°F) higher than the low-pressure saturation temperature. If the temperature difference between the compressor shell temperature and low-pressure saturation temperature is 5°C (41°F) or less, refrigerant overcharge is suspected.

## 11-4. Operation check

The following symptoms are normal and do not indicate a problem.

Events	Display on remote controller	Cause
The auto vane automatically switches air flow direction.	Normal display	The auto vane may switch over to horizontal air flow operation from vertical air flow operation in cooling mode if the vertical air flow operation has been running for one hour. At defrost in heating mode or immediately after heating start-up/shutdown, the auto vane automatically switches to horizontal air flow for a short time.
The fan speed automatically changes during heating operation.	Normal display	The fan operates at Very Low speed when the thermostat is turned off, and automatically changes over to the preset speed according to the timer setting or refrigerant temperature when the thermostat is turned on.
The fan stops during heating operation.	"Defrost"	The fan remains stopped during the defrost cycle.
The fan keeps running after the unit has stopped.	No display	After the unit has stopped during heating operation, the fan operates for one minute to exhaust heat.
At the beginning of heating operation, the fan cannot be manually set.	"Stand By"	The fan operates at Very Low speed for five minutes after heating operation starts or until the refrigerant temperature reaches 35°C (95°F), then the fan operates at Low speed for two minutes, and finally the fan operates at the preset speed.
When the main power is turned on, the display as shown right appears on the remote controller for about five minutes.	"HO" or "PLEASE WAIT" blinks.	The system is starting up. Wait until "HO" or "PLEASE WAIT" stops blinking and goes off then try again.
The drain pump keeps running after the unit has stopped.	No display	The drain pump remains in operation for three minutes after the unit in cooling mode has stopped. The drain pump goes into operation when drain water is detected, even when the unit is stopped.
The indoor unit emits noise when switching from heating to cooling and vice versa.	Normal display	This is a normal sound of the refrigerant circuit operating properly.
Immediately after startup, the indoor unit emits the sound of liquid flowing.	Normal display	Unstable flow of the heating medium produces a sound. This is temporary and does not imply a problem.
In a short while after the outdoor unit stops, the unit makes a clicking sound.	No display	After the unit stops and before the unit performs pressure equalization, the pressure difference temporarily becomes small and the check valve may vibrate and make a sound. This is temporary and does not imply a problem.
Drain water comes out of the outdoor unit from the bottom part of the heat exchanger.	No display	This ensures proper drainage of drain water in case the drain water freezes and remains in the outdoor unit during the heating operation at low ambient temperature.

GB

## 12. Inspection and maintenance

### WARNING

**Only qualified personnel must relocate or repair the unit. Do not attempt to disassemble or alter the unit.**

- Failure to do so will result in refrigerant leakage, water leakage, serious injury, electric shock, or fire.
- While the unit is turned on, the compressor will remain energized even when it is stopped. Before inspecting the inside of the control box, turn off the power, keep the unit off for at least 10 minutes, and confirm that the capacitor voltage (inverter main circuit) has dropped to 20 VDC or less. (It takes about 10 minutes to discharge electricity after the power supply is turned off.)
- Control boxes house high-voltage and high-temperature electrical parts. They may still remain energized or hot after the power is turned off.
- Perform the service after disconnecting the connector (RYFAN1 and RYFAN2).  
(To plug or unplug connectors, check that the outdoor unit fan is not rotating and that the voltage of capacitor in the main circuit is 20 VDC or below. The capacitor may collect a charge and cause an electric shock when the outdoor unit fan rotates in windy conditions. Refer to the wiring nameplate for details.)  
Reconnect the connector (RYFAN1 and RYFAN2) after servicing.
- Unit components may be damaged after long use of the unit, resulting in a performance drop or the unit becoming a safety hazard. To use the unit safely and maximize its life, it is recommended that a maintenance contract with a dealer or qualified personnel be signed. If the contract is signed, service technicians will periodically inspect the unit to identify any damage at an early stage, and take appropriate measures.
- Please contact local MITSUBISHI ELECTRIC sales office for maintenance frequency and tasking recommendations.
- When the outdoor unit is installed on the waterproof sheet, the sheet may become dirty due to the copper component seeped out from the unit. In this case, installing a drain pan for centralized drainage is recommended.

# 13. Rating plate information

## (1) TNU models

Model	PURY-P72TNU-A(-BS)	PURY-P96TNU-A(-BS)	PURY-P120TNU-A(-BS)	PURY-P144TNU-A(-BS)	PURY-P168TNU-A(-BS)
Unit combination	–	–	–	–	–
Refrigerant (R410A)	5.2 kg [11 lbs 7 oz]	8.0 kg [17 lbs 10 oz]	8.0 kg [17 lbs 10 oz]	10.8 kg [23 lbs 12 oz]	10.8 kg [23 lbs 12 oz]
Allowable pressure (Ps)	HP: 4.15 MPa [601 psi], LP: 2.21 MPa [320 psi]				
Net weight	219 kg [483 lbs]	261 kg [576 lbs]	271 kg [598 lbs]	293 kg [646 lbs]	335 kg [739 lbs]

Model	PURY-P192TSNU-A(-BS)		PURY-P216TSNU-A(-BS)	
Unit combination	PURY-P96TNU-A(-BS)	PURY-P96TNU-A(-BS)	PURY-P120TNU-A(-BS)	PURY-P96TNU-A(-BS)
Refrigerant (R410A)	8.0 kg [17 lbs 10 oz]	8.0 kg [17 lbs 10 oz]	8.0 kg [17 lbs 10 oz]	8.0 kg [17 lbs 10 oz]
Allowable pressure (Ps)	HP: 4.15 MPa [601 psi], LP: 2.21 MPa [320 psi]			
Net weight	261 kg [576 lbs]	261 kg [576 lbs]	271 kg [598 lbs]	261 kg [576 lbs]

Model	PURY-P240TSNU-A(-BS)		PURY-P264TSNU-A(-BS)	
Unit combination	PURY-P120TNU-A(-BS)	PURY-P120TNU-A(-BS)	PURY-P144TNU-A(-BS)	PURY-P120TNU-A(-BS)
Refrigerant (R410A)	8.0 kg [17 lbs 10 oz]	8.0 kg [17 lbs 10 oz]	10.8 kg [23 lbs 12 oz]	8.0 kg [17 lbs 10 oz]
Allowable pressure (Ps)	HP: 4.15 MPa [601 psi], LP: 2.21 MPa [320 psi]			
Net weight	271 kg [598 lbs]	271 kg [598 lbs]	293 kg [646 lbs]	271 kg [598 lbs]

Model	PURY-P288TSNU-A(-BS)		PURY-P312TSNU-A(-BS)	
Unit combination	PURY-P144TNU-A(-BS)	PURY-P144TNU-A(-BS)	PURY-P168TNU-A(-BS)	PURY-P144TNU-A(-BS)
Refrigerant (R410A)	10.8 kg [23 lbs 12 oz]	10.8 kg [23 lbs 12 oz]	10.8 kg [23 lbs 12 oz]	10.8 kg [23 lbs 12 oz]
Allowable pressure (Ps)	HP: 4.15 MPa [601 psi], LP: 2.21 MPa [320 psi]			
Net weight	293 kg [646 lbs]	293 kg [646 lbs]	335 kg [739 lbs]	293 kg [646 lbs]

Model	PURY-P336TSNU-A(-BS)	
Unit combination	PURY-P168TNU-A(-BS)	PURY-P168TNU-A(-BS)
Refrigerant (R410A)	10.8 kg [23 lbs 12 oz]	10.8 kg [23 lbs 12 oz]
Allowable pressure (Ps)	HP: 4.15 MPa [601 psi], LP: 2.21 MPa [320 psi]	
Net weight	335 kg [739 lbs]	335 kg [739 lbs]

Model	PURY-EP72TNU-A(-BS)	PURY-EP96TNU-A(-BS)	PURY-EP120TNU-A(-BS)	PURY-EP144TNU-A(-BS)	PURY-EP168TNU-A(-BS)
Unit combination	–	–	–	–	–
Refrigerant (R410A)	5.2 kg [11 lbs 7 oz]	8.0 kg [17 lbs 10 oz]	8.0 kg [17 lbs 10 oz]	10.8 kg [23 lbs 12 oz]	10.8 kg [23 lbs 12 oz]
Allowable pressure (Ps)	HP: 4.15 MPa [601 psi], LP: 2.21 MPa [320 psi]				
Net weight	235 kg [519 lbs]	278 kg [613 lbs]	282 kg [622 lbs]	308 kg [680 lbs]	352 kg [777 lbs]

Model	PURY-EP192TNU-A(-BS)	PURY-EP192TSNU-A(-BS)		PURY-EP216TNU-A(-BS)
Unit combination	–	PURY-EP96TNU-A(-BS)	PURY-EP96TNU-A(-BS)	–
Refrigerant (R410A)	11.8 kg [26 lbs 1 oz]	8.0 kg [17 lbs 10 oz]	8.0 kg [17 lbs 10 oz]	11.8 kg [26 lbs 1 oz]
Allowable pressure (Ps)	HP: 4.15 MPa [601 psi], LP: 2.21 MPa [320 psi]			
Net weight	402 kg [887 lbs]	278 kg [613 lbs]	278 kg [613 lbs]	402 kg [887 lbs]

Model	PURY-EP216TSNU-A(-BS)		PURY-EP240TNU-A(-BS)	PURY-EP240TSNU-A(-BS)	
Unit combination	PURY-EP120TNU-A(-BS)	PURY-EP96TNU-A(-BS)	–	PURY-EP120TNU-A(-BS)	PURY-EP120TNU-A(-BS)
Refrigerant (R410A)	8.0 kg [17 lbs 10 oz]	8.0 kg [17 lbs 10 oz]	11.8 kg [26 lbs 1 oz]	8.0 kg [17 lbs 10 oz]	8.0 kg [17 lbs 10 oz]
Allowable pressure (Ps)	HP: 4.15 MPa [601 psi], LP: 2.21 MPa [320 psi]				
Net weight	282 kg [622 lbs]	278 kg [613 lbs]	402 kg [887 lbs]	282 kg [622 lbs]	282 kg [622 lbs]

Model	PURY-EP264TSNU-A(-BS)		PURY-EP288TSNU-A(-BS)	
Unit combination	PURY-EP144TNU-A(-BS)	PURY-EP120TNU-A(-BS)	PURY-EP144TNU-A(-BS)	PURY-EP144TNU-A(-BS)
Refrigerant (R410A)	10.8 kg [23 lbs 12 oz]	8.0 kg [17 lbs 10 oz]	10.8 kg [23 lbs 12 oz]	10.8 kg [23 lbs 12 oz]
Allowable pressure (Ps)	HP: 4.15 MPa [601 psi], LP: 2.21 MPa [320 psi]			
Net weight	308 kg [680 lbs]	282 kg [622 lbs]	308 kg [680 lbs]	308 kg [680 lbs]

Model	PURY-EP312TSNU-A(-BS)		PURY-EP336TSNU-A(-BS)	
Unit combination	PURY-EP168TNU-A(-BS)	PURY-EP144TNU-A(-BS)	PURY-EP168TNU-A(-BS)	PURY-EP168TNU-A(-BS)
Refrigerant (R410A)	10.8 kg [23 lbs 12 oz]	10.8 kg [23 lbs 12 oz]	10.8 kg [23 lbs 12 oz]	10.8 kg [23 lbs 12 oz]
Allowable pressure (Ps)	HP: 4.15 MPa [601 psi], LP: 2.21 MPa [320 psi]			
Net weight	352 kg [777 lbs]	308 kg [680 lbs]	352 kg [777 lbs]	352 kg [777 lbs]

Model	PURY-EP384TSNU-A(-BS)		PURY-EP432TSNU-A(-BS)	
Unit combination	PURY-EP192TNU-A(-BS)	PURY-EP192TNU-A(-BS)	PURY-EP216TNU-A(-BS)	PURY-EP216TNU-A(-BS)
Refrigerant (R410A)	11.8 kg [26 lbs 1 oz]	11.8 kg [26 lbs 1 oz]	11.8 kg [26 lbs 1 oz]	11.8 kg [26 lbs 1 oz]
Allowable pressure (Ps)	HP: 4.15 MPa [601 psi], LP: 2.21 MPa [320 psi]			
Net weight	402 kg [887 lbs]	402 kg [887 lbs]	402 kg [887 lbs]	402 kg [887 lbs]

(2) YNU models

Model	PURY-P72YNU-A(-BS)	PURY-P96YNU-A(-BS)	PURY-P120YNU-A(-BS)	PURY-P144YNU-A(-BS)	PURY-P168YNU-A(-BS)
Unit combination	-	-	-	-	-
Refrigerant (R410A)	5.2 kg [11 lbs 7 oz]	8.0 kg [17 lbs 10 oz]	8.0 kg [17 lbs 10 oz]	10.8 kg [23 lbs 12 oz]	10.8 kg [23 lbs 12 oz]
Allowable pressure (Ps)	HP: 4.15 MPa [601 psi], LP: 2.21 MPa [320 psi]				
Net weight	234 kg [516 lbs]	277 kg [611 lbs]	287 kg [633 lbs]	309 kg [682 lbs]	351 kg [774 lbs]

Model	PURY-P192YSNU-A(-BS)		PURY-P216YSNU-A(-BS)	
Unit combination	PURY-P96YNU-A(-BS)	PURY-P96YNU-A(-BS)	PURY-P120YNU-A(-BS)	PURY-P96YNU-A(-BS)
Refrigerant (R410A)	8.0 kg [17 lbs 10 oz]	8.0 kg [17 lbs 10 oz]	8.0 kg [17 lbs 10 oz]	8.0 kg [17 lbs 10 oz]
Allowable pressure (Ps)	HP: 4.15 MPa [601 psi], LP: 2.21 MPa [320 psi]			
Net weight	277 kg [611 lbs]	277 kg [611 lbs]	287 kg [633 lbs]	277 kg [611 lbs]

Model	PURY-P240YSNU-A(-BS)		PURY-P264YSNU-A(-BS)	
Unit combination	PURY-P120YNU-A(-BS)	PURY-P120YNU-A(-BS)	PURY-P144YNU-A(-BS)	PURY-P120YNU-A(-BS)
Refrigerant (R410A)	8.0 kg [17 lbs 10 oz]	8.0 kg [17 lbs 10 oz]	10.8 kg [23 lbs 12 oz]	8.0 kg [17 lbs 10 oz]
Allowable pressure (Ps)	HP: 4.15 MPa [601 psi], LP: 2.21 MPa [320 psi]			
Net weight	287 kg [633 lbs]	287 kg [633 lbs]	309 kg [682 lbs]	287 kg [633 lbs]

Model	PURY-P288YSNU-A(-BS)		PURY-P312YSNU-A(-BS)	
Unit combination	PURY-P144YNU-A(-BS)	PURY-P144YNU-A(-BS)	PURY-P168YNU-A(-BS)	PURY-P144YNU-A(-BS)
Refrigerant (R410A)	10.8 kg [23 lbs 12 oz]	10.8 kg [23 lbs 12 oz]	10.8 kg [23 lbs 12 oz]	10.8 kg [23 lbs 12 oz]
Allowable pressure (Ps)	HP: 4.15 MPa [601 psi], LP: 2.21 MPa [320 psi]			
Net weight	309 kg [682 lbs]	309 kg [682 lbs]	351 kg [774 lbs]	309 kg [682 lbs]

Model	PURY-P336YSNU-A(-BS)	
Unit combination	PURY-P168YNU-A(-BS)	PURY-P168YNU-A(-BS)
Refrigerant (R410A)	10.8 kg [23 lbs 12 oz]	10.8 kg [23 lbs 12 oz]
Allowable pressure (Ps)	HP: 4.15 MPa [601 psi], LP: 2.21 MPa [320 psi]	
Net weight	351 kg [774 lbs]	351 kg [774 lbs]

Model	PURY-EP72YNU-A(-BS)	PURY-EP96YNU-A(-BS)	PURY-EP120YNU-A(-BS)	PURY-EP144YNU-A(-BS)	PURY-EP168YNU-A(-BS)
Unit combination	-	-	-	-	-
Refrigerant (R410A)	5.2 kg [11 lbs 7 oz]	8.0 kg [17 lbs 10 oz]	8.0 kg [17 lbs 10 oz]	10.8 kg [23 lbs 12 oz]	10.8 kg [23 lbs 12 oz]
Allowable pressure (Ps)	HP: 4.15 MPa [601 psi], LP: 2.21 MPa [320 psi]				
Net weight	250 kg [552 lbs]	294 kg [649 lbs]	298 kg [657 lbs]	324 kg [715 lbs]	366 kg [807 lbs]

Model	PURY-EP192YSNU-A(-BS)	PURY-EP192YSNU-A(-BS)		PURY-EP216YNU-A(-BS)
Unit combination	-	PURY-EP96YNU-A(-BS)	PURY-EP96YNU-A(-BS)	-
Refrigerant (R410A)	11.8 kg [26 lbs 1 oz]	8.0 kg [17 lbs 10 oz]	8.0 kg [17 lbs 10 oz]	11.8 kg [26 lbs 1 oz]
Allowable pressure (Ps)	HP: 4.15 MPa [601 psi], LP: 2.21 MPa [320 psi]			
Net weight	416 kg [918 lbs]	294 kg [649 lbs]	294 kg [649 lbs]	416 kg [918 lbs]

Model	PURY-EP216YSNU-A(-BS)		PURY-EP240YNU-A(-BS)	PURY-EP240YSNU-A(-BS)	
Unit combination	PURY-EP120YNU-A(-BS)	PURY-EP96YNU-A(-BS)	-	PURY-EP120YNU-A(-BS)	PURY-EP120YNU-A(-BS)
Refrigerant (R410A)	8.0 kg [17 lbs 10 oz]	8.0 kg [17 lbs 10 oz]	11.8 kg [26 lbs 1 oz]	8.0 kg [17 lbs 10 oz]	8.0 kg [17 lbs 10 oz]
Allowable pressure (Ps)	HP: 4.15 MPa [601 psi], LP: 2.21 MPa [320 psi]				
Net weight	298 kg [657 lbs]	294 kg [649 lbs]	416 kg [918 lbs]	298 kg [657 lbs]	298 kg [657 lbs]

Model	PURY-EP264YSNU-A(-BS)		PURY-EP288YSNU-A(-BS)	
Unit combination	PURY-EP144YNU-A(-BS)	PURY-EP120YNU-A(-BS)	PURY-EP144YNU-A(-BS)	PURY-EP144YNU-A(-BS)
Refrigerant (R410A)	10.8 kg [23 lbs 12 oz]	8.0 kg [17 lbs 10 oz]	10.8 kg [23 lbs 12 oz]	10.8 kg [23 lbs 12 oz]
Allowable pressure (Ps)	HP: 4.15 MPa [601 psi], LP: 2.21 MPa [320 psi]			
Net weight	324 kg [715 lbs]	298 kg [657 lbs]	324 kg [715 lbs]	324 kg [715 lbs]

Model	PURY-EP312YSNU-A(-BS)		PURY-EP336YSNU-A(-BS)	
Unit combination	PURY-EP168YNU-A(-BS)	PURY-EP144YNU-A(-BS)	PURY-EP168YNU-A(-BS)	PURY-EP168YNU-A(-BS)
Refrigerant (R410A)	10.8 kg [23 lbs 12 oz]	10.8 kg [23 lbs 12 oz]	10.8 kg [23 lbs 12 oz]	10.8 kg [23 lbs 12 oz]
Allowable pressure (Ps)	HP: 4.15 MPa [601 psi], LP: 2.21 MPa [320 psi]			
Net weight	366 kg [807 lbs]	324 kg [715 lbs]	366 kg [807 lbs]	366 kg [807 lbs]

Model	PURY-EP384YSNU-A(-BS)		PURY-EP432YSNU-A(-BS)	
Unit combination	PURY-EP192YNU-A(-BS)	PURY-EP192YNU-A(-BS)	PURY-EP216YNU-A(-BS)	PURY-EP216YNU-A(-BS)
Refrigerant (R410A)	11.8 kg [26 lbs 1 oz]	11.8 kg [26 lbs 1 oz]	11.8 kg [26 lbs 1 oz]	11.8 kg [26 lbs 1 oz]
Allowable pressure (Ps)	HP: 4.15 MPa [601 psi], LP: 2.21 MPa [320 psi]			
Net weight	416 kg [918 lbs]	416 kg [918 lbs]	416 kg [918 lbs]	416 kg [918 lbs]







# Table des matières

<b>1. Précautions de sécurité</b> .....	<b>2</b>
1-1. Précautions générales .....	2
1-2. Précautions pour le transport de l'unité .....	3
1-3. Précautions pour l'installation de l'unité .....	3
1-4. Précautions pour les travaux de tuyauterie.....	4
1-5. Précautions pour le câblage électrique.....	4
1-6. Précautions pour le déplacement ou la réparation de l'unité .....	5
1-7. Précautions supplémentaires.....	5
<b>2. À propos du produit</b> .....	<b>8</b>
<b>3. Combinaison d'appareils extérieurs</b> .....	<b>8</b>
<b>4. Caractéristiques techniques</b> .....	<b>9</b>
<b>5. Contenu de l'emballage</b> .....	<b>12</b>
<b>6. Transport de l'appareil</b> .....	<b>13</b>
<b>7. Emplacement d'installation</b> .....	<b>14</b>
7-1. Installation d'un appareil unique .....	14
7-2. Installation d'appareils multiples .....	15
<b>8. Travaux de fondation</b> .....	<b>17</b>
<b>9. Travaux de tuyauterie réfrigérante</b> .....	<b>19</b>
9-1. Restrictions .....	19
9-2. Sélection de tuyau .....	21
9-3. Sélection du kit de jumelage .....	21
9-4. Exemple de raccordement des tuyaux.....	22
9-5. Raccordements de tuyauterie et fonctionnement des soupapes .....	25
9-6. Test d'étanchéité à l'air.....	27
9-7. Isolation thermique pour les tuyaux .....	28
9-8. Purge du système .....	29
9-9. Charge supplémentaire de frigorigène.....	30
<b>10. Travaux électriques</b> .....	<b>36</b>
10-1. Avant des travaux électriques .....	36
10-2. Capacité des câbles électriques et de l'appareil.....	36
10-3. Spécifications du câble de commande .....	39
10-4. Configuration système .....	40
10-5. Raccordements de câblage dans le boîtier de commande.....	42
10-6. Définition de l'adresse.....	47
<b>11. Essai de fonctionnement</b> .....	<b>48</b>
11-1. Avant un test .....	48
11-2. Réglage de fonction .....	49
11-3. Caractéristiques de fonctionnement liées à la charge réfrigérante .....	49
11-4. Contrôle du fonctionnement.....	50
<b>12. Inspection et maintenance</b> .....	<b>50</b>
<b>13. Informations de la plaque signalétique</b> .....	<b>51</b>

# 1. Précautions de sécurité

- ▶ Lisez et respectez les consignes de sécurité ci-dessous ainsi que les instructions présentes sur les étiquettes apposées sur l'appareil.
- ▶ Conservez ce manuel pour consultation ultérieure. Assurez-vous que ce manuel est transmis aux utilisateurs finaux.
- ▶ Les travaux de tuyauterie réfrigérante, les travaux électriques, les tests d'étanchéité à l'air et les travaux de brasage doivent tous être effectués par du personnel qualifié.
- ▶ Une utilisation incorrecte peut entraîner des blessures graves.

 <b>AVERTISSEMENT</b>	: indique une situation dangereuse qui, si elle n'est pas évitée, peut entraîner des blessures graves, voire mortelles.
 <b>ATTENTION</b>	: indique une situation dangereuse qui, si elle n'est pas évitée, peut entraîner des blessures mineures ou modérées.
<b>ATTENTION</b>	: concerne des pratiques qui ne sont pas liées à des blessures corporelles, comme les dommages des produits et/ou du matériel.

## 1-1. Précautions générales

### **AVERTISSEMENT**

Utilisez uniquement un réfrigérant de type indiqué dans les manuels fournis avec l'unité et sur la plaque signalétique.

- Faute de quoi, l'unité ou la tuyauterie pourrait éclater, ou cela pourrait provoquer une explosion ou un incendie pendant l'utilisation, la réparation ou la mise au rebut de l'unité.
- Cela pourrait également constituer une violation des lois applicables.
- MITSUBISHI ELECTRIC CORPORATION ne peut être tenue responsable de tout dysfonctionnement ou accident résultant de l'utilisation du mauvais type de réfrigérant.

**N'utilisez pas l'appareil dans un environnement inhabituel.**

- Si l'appareil est utilisé dans des zones exposées à des quantités importantes d'huile, de vapeur, de solvants organiques ou de gaz corrosifs (tels que l'ammoniac, les composants sulfurés ou les acides), ou des zones où des solutions acides/alcalines ou des pulvérisations chimiques spéciales sont utilisées fréquemment, cela peut réduire significativement les performances et corroder les pièces internes, entraînant des fuites de réfrigérant, des fuites d'eau, des blessures, des décharges électriques, des dysfonctionnements, de la fumée ou un incendie.

**Ne modifiez pas les paramètres des dispositifs de sécurité ou de protection.**

- Forcer le fonctionnement de l'appareil en désactivant les dispositifs de sécurité, tels que le manostat ou le thermocontact, peut entraîner un éclatement, un incendie ou une explosion.
- Utiliser l'appareil avec un dispositif de sécurité dont les réglages ont été modifiés peut entraîner un éclatement, un incendie ou une explosion.
- Utiliser des dispositifs de sécurité autres que ceux spécifiés par Mitsubishi Electric peut entraîner un éclatement, un incendie ou une explosion.

**N'altérez pas et ne modifiez pas l'appareil.**

- Ceci provoquera une fuite de réfrigérant, une fuite d'eau, des blessures graves, une décharge électrique ou un incendie.

**Ne mouillez pas les pièces électriques.**

- Ceci peut entraîner une fuite de courant, une décharge électrique, un dysfonctionnement ou un incendie.

**Ne touchez pas les pièces électriques, les interrupteurs ou les boutons avec des doigts mouillés.**

- Ceci peut entraîner une décharge électrique, un dysfonctionnement ou un incendie.

**Ne touchez pas les tuyaux réfrigérants et les composants des lignes réfrigérantes à mains nues pendant et immédiatement après le fonctionnement.**

- Le réfrigérant dans les tuyaux peut être très chaud ou très froid, entraînant des gelures ou des brûlures.

**Ne touchez pas les pièces électriques à mains nues pendant et immédiatement après le fonctionnement.**

- Vous pourriez vous brûler.

---

**Aérez la pièce pendant la maintenance de l'appareil.**

- Si le réfrigérant fuit, un manque d'oxygène peut se produire. Si le réfrigérant ayant fui entre en contact avec une source de chaleur, un gaz toxique sera émis.

---

**Si vous constatez la moindre anomalie (par exemple une odeur de brûlé), arrêtez le fonctionnement, mettez l'interrupteur en position arrêt et contactez votre revendeur.**

- Continuer à utiliser le contrôleur peut entraîner des décharges électriques, des dysfonctionnements ou un incendie.

---

**Installez correctement tous les couvercles et tous les panneaux nécessaires sur le boîtier de raccordement et le boîtier de commande.**

- Si de la poussière ou de l'eau pénètrent dans l'appareil, cela peut entraîner une décharge électrique ou un incendie.

---

**Vérifiez périodiquement la présence de dommages sur la base de l'appareil.**

- Si les dommages ne sont pas réparés, l'appareil tombera et causera des blessures graves.

---

**Contactez votre revendeur pour la mise au rebut correcte de l'appareil.**

- L'huile réfrigérante et le réfrigérant dans l'appareil présentent un risque de pollution environnementale, d'incendie ou d'explosion.

---

**N'effectuez aucune modification ou transformation sur l'appareil. Contactez votre revendeur pour toute réparation.**

- Une réparation mal exécutée peut entraîner une fuite d'eau, une électrocution, de la fumée, voire un incendie.

---

** ATTENTION**

---

**Les enfants doivent être surveillés de manière à ce qu'ils ne puissent pas jouer avec l'appareil.**

---

**N'utilisez pas l'appareil avec les panneaux et les protections retirés.**

- Les pièces tournantes, chaudes ou sous haute tension peuvent causer des blessures, une décharge électrique ou un incendie.

---

**Ne touchez pas les ventilateurs, les ailettes de l'échangeur de chaleur ou les arêtes coupantes des composants à mains nues.**

- Ceci peut provoquer des blessures.

---

**Portez des gants de protection quand vous travaillez sur l'appareil.**

- À défaut, ceci peut provoquer des blessures.
- Les tuyaux à haute pression posent un risque de brûlure s'ils sont touchés à main nue lorsque l'unité est en fonctionnement.

## 1-2. Précautions pour le transport de l'unité

---

** AVERTISSEMENT**

---

**En cas de levage de l'appareil, passez les élingues dans les quatre trous d'élingues désignés.**

- Un levage incorrect entraînera le basculement ou la chute de l'appareil, causant des blessures graves.

---

** ATTENTION**

---

**Ne levez pas l'appareil avec les bandes en polypropylène utilisées sur certains produits.**

- Ceci peut provoquer des blessures.

---

**Respectez les restrictions sur le poids maximal pouvant être levé par une personne, qui est spécifié dans les réglementations locales.**

- À défaut, ceci peut provoquer des blessures.

## 1-3. Précautions pour l'installation de l'unité

---

** AVERTISSEMENT**

---

**N'installez pas l'appareil à un endroit où peut se produire une fuite de gaz combustible.**

- Si un gaz combustible s'accumule autour de l'appareil, un incendie ou une explosion peuvent se produire.

---

**Ne laissez pas les enfants jouer avec les éléments d'emballage.**

- Ceci peut entraîner un étouffement ou des blessures graves.

---

**Découpez les éléments d'emballage avant de les jeter.**

---

**Toutes les tâches d'installation doivent être effectuées par du personnel qualifié, conformément à ce manuel.**

- Une installation incorrecte peut entraîner une fuite de réfrigérant, une fuite d'eau, des blessures graves, une décharge électrique ou un incendie.

---

**Si le climatiseur est installé dans une petite pièce, prenez les mesures adéquate pour empêcher la concentration en réfrigérant de dépasser la limite de sécurité en cas de fuite du réfrigérant.**

- Consultez votre revendeur au sujet des mesures appropriées pour empêcher le dépassement de la concentration admissible. Si le réfrigérant fuit et si la concentration admissible est dépassée, des risques liés au manque d'oxygène dans la pièce se présenteront.

---

**Installez l'appareil conformément aux instructions pour réduire le risque de dommages dus aux tremblements de terre et aux vents forts.**

- Une installation incorrecte entraînera le basculement de l'appareil, causant des blessures graves.

---

**L'appareil doit être solidement installé sur une structure pouvant supporter son poids.**

- À défaut, ceci provoquera la chute de l'appareil, causant des blessures graves.

---

## **ATTENTION**

**Fermez hermétiquement toutes les ouvertures autour des tuyaux et des câbles pour empêcher les petits animaux, l'eau de pluie ou la neige d'entrer.**

- À défaut, ceci peut provoquer une fuite de courant, une décharge électrique ou des dommages à l'appareil.

## **1-4. Précautions pour les travaux de tuyauterie**

---

### **AVERTISSEMENT**

**Avant de chauffer les sections brasées, retirez le gaz et l'huile retenus dans les tuyaux.**

- À défaut, ceci peut provoquer un incendie, causant des blessures graves.

---

**Ne purgez pas l'air à l'aide du réfrigérant. Utilisez une pompe à vide pour purger le système.**

- Le gaz résiduel dans les lignes réfrigérantes causera l'éclatement des tuyaux ou une explosion.

---

**N'utilisez pas d'oxygène, de gaz inflammable ou un réfrigérant contenant du chlore pour tester l'étanchéité à l'air.**

- Ceci peut provoquer une explosion. Le chlore détériorera l'huile réfrigérante.

---

**Lors de l'installation ou du déplacement de l'appareil, ne laissez pas l'air ou une substance autre que le réfrigérant spécifié entrer dans les lignes réfrigérantes.**

- Toute substance autre que le réfrigérant spécifié peut entraîner une pression anormalement haute dans les lignes réfrigérantes, conduisant à l'éclatement des tuyaux ou à une explosion.

---

**Une fois l'installation terminée, vérifiez les fuites de réfrigérant.**

- Si le réfrigérant fuit, une insuffisance d'oxygène peut se produire. Si le réfrigérant ayant fui entre en contact avec une source de chaleur, un gaz toxique sera émis.

## **1-5. Précautions pour le câblage électrique**

---

### **AVERTISSEMENT**

**Mettez du mou dans les câbles d'alimentation.**

- À défaut, les câbles peuvent casser ou surchauffer, entraînant de la fumée ou un incendie.

---

**Les raccordements doivent être bien effectués, sans tension sur les bornes.**

- Des câbles incorrectement raccordés peuvent casser, surchauffer ou causer de la fumée ou un incendie.

---

**Serrez toutes les vis-bornes au couple spécifié.**

- Des bornes desserrées et un défaut de contact peuvent causer de la fumée ou un incendie.

---

**Les travaux électriques doivent être effectués par un électricien qualifié, conformément aux réglementations locales et aux instructions détaillées dans ce manuel. Utiliser uniquement les câbles spécifiés et les circuits dédiés.**

- Une source d'alimentation de capacité inadéquate ou des travaux électriques incorrects risquent de provoquer des décharges électriques, des dysfonctionnements ou un incendie.

---

**Installez un disjoncteur d'onduleur sur l'alimentation électrique de chaque appareil.**

- À défaut, ceci peut provoquer une décharge électrique ou un incendie.

---

**Utilisez uniquement des disjoncteurs à la valeur nominale appropriée (un disjoncteur de fuite à la terre, un commutateur local < un interrupteur + fusible conformes aux codes électriques locaux > ou un disjoncteur de surintensité).**

- À défaut, ceci peut provoquer une décharge électrique, un dysfonctionnement, de la fumée ou un incendie.

---

**Utilisez uniquement des câbles d'alimentation standard à la capacité suffisante.**

- À défaut, ceci peut provoquer une fuite de courant, une surchauffe, de la fumée ou un incendie.

---

**Une mise à la terre correcte doit être effectuée par du personnel qualifié.**

- Une mise à la terre incorrecte peut entraîner une décharge électrique, un incendie, une explosion ou un dysfonctionnement dû au bruit électrique. Ne raccordez pas le fil de terre aux tuyaux de gaz ou d'eau, aux paratonnerres ou aux fils de terre du téléphone.

## **ATTENTION**

---

**Une fois que le câblage a été effectué, mesurez la résistance d'isolement en vous assurant qu'elle est au moins d'1 MΩ.**

- À défaut, ceci peut provoquer une fuite de courant, un dysfonctionnement ou un incendie.

## **1-6. Précautions pour le déplacement ou la réparation de l'unité**

### **AVERTISSEMENT**

---

**Seul du personnel qualifié peut réimplanter ou réparer l'appareil. N'essayez pas de démonter ou de modifier l'appareil.**

- À défaut, ceci provoquera une fuite de réfrigérant, une fuite d'eau, des blessures graves, une décharge électrique ou un incendie.

---

**N'entretenez pas l'appareil sous la pluie.**

- Ceci peut entraîner une fuite de courant, une décharge électrique, un court-circuit, un dysfonctionnement, de la fumée ou un incendie.

## **1-7. Précautions supplémentaires**

### **ATTENTION**

---

**Ne coupez pas le courant immédiatement après avoir arrêté le fonctionnement.**

- Attendez au moins cinq minutes après l'arrêt de l'appareil avant de couper l'alimentation électrique. À défaut, ceci peut provoquer une fuite des eaux usées ou une panne mécanique de pièces sensibles.

---

**L'appareil doit être inspecté périodiquement par un revendeur ou du personnel qualifié.**

- Si de la poussière ou des saletés s'accumulent à l'intérieur de l'appareil, les tuyaux d'évacuation peuvent se boucher, les fuites d'eau provenant des tuyaux peuvent mouiller les environs et générer des odeurs.

---

**Mettez sous tension pendant au moins 12 heures avant de mettre en route. Laissez l'alimentation électrique sous tension pendant la saison d'exploitation.**

- Une alimentation insuffisante entraînera des dysfonctionnements.

---

**N'utilisez pas le climatiseur d'air pour des usages spécifiques (par exemple conserver des aliments, des animaux, des plantes, des équipements de précision ou des objets d'art dans une pièce).**

- De tels éléments peuvent s'endommager ou être détériorés.

---

**Collectez le réfrigérant et mettez-le correctement au rebut conformément aux réglementations locales.**

---

**N'installez pas l'appareil sur ou au-dessus d'articles susceptibles d'être endommagés par l'eau.**

- Si l'humidité de la pièce dépasse 80 % ou si le tuyau d'évacuation est bouché, de la condensation peut s'accumuler et s'égoutter de l'appareil intérieur sur le plafond ou le sol.

---

**Le tuyau d'évacuation doit être installé par un revendeur ou du personnel qualifié afin d'assurer une évacuation correcte.**

- Une tuyauterie d'évacuation inappropriée peut causer une fuite d'eau, entraînant des dommages au mobilier et aux autres environnements.

---

**Prenez des mesures appropriées contre les interférences dues aux parasites électriques lors de l'installation de l'appareil dans les hôpitaux ou les lieux avec des fonctionnalités de radiocommunication.**

- Les onduleurs, les équipements médicaux à hautes fréquences, les équipements de communication sans fil et les générateurs électriques peuvent entraîner des dysfonctionnements du climatiseur. Le climatiseur peut également nuire au fonctionnement de ces équipements en générant des parasites électriques.

---

**Isolez les tuyaux pour empêcher la condensation.**

- La condensation peut s'accumuler et s'égoutter de l'appareil sur le plafond ou le sol.

---

**Maintenez les soupapes de service fermées jusqu'à ce que la charge de réfrigérant soit terminée.**

- À défaut, ceci peut endommager l'appareil.

---

**Placez une serviette humide sur les soupapes de service avant de braser les tuyaux pour empêcher la température des soupapes de dépasser 120 °C (248 °F).**

- À défaut, ceci peut endommager l'équipement.

---

**Empêchez la flamme d'entrer en contact avec les câbles et la tôle lors du brasage des tuyaux.**

- À défaut, ceci peut provoquer une destruction par le feu ou des dysfonctionnements.

---

**Utilisez les outils suivants spécialement conçus pour être utilisés avec le réfrigérant spécifié : Manomètre de pression, tuyau flexible de charge, détecteur de fuite de gaz, soupape anti-retour, base de charge du réfrigérant, manomètre à vide et équipement de récupération du réfrigérant.**

- Les détecteurs de fuite de gaz pour les réfrigérants conventionnels ne réagissent pas à un réfrigérant qui ne contient pas de chlore.
- Si le réfrigérant spécifié est mélangé à de l'eau, de l'huile réfrigérante ou un autre réfrigérant, l'huile réfrigérante se détériorera et le compresseur fonctionnera mal.

---

**Utilisez une pompe à vide avec une soupape anti-retour.**

- Si l'huile de la pompe à vide reflue dans les lignes réfrigérantes, l'huile réfrigérante peut se détériorer et le compresseur peut mal fonctionner.

---

**Maintenez les outils propres.**

- Si de la poussière, de la saleté ou de l'eau s'accumulent dans le tuyau de remplissage ou l'outil de traitement de torche, le réfrigérant se détériorera et le compresseur fonctionnera mal.

---

**Utilisez une tuyauterie réfrigérante en cuivre désoxydé au phosphore (tuyaux en cuivre et en alliage de cuivre sans soudure) respectant les exigences locales. Les joints des tuyaux doivent également respecter les exigences locales. Maintenez les surfaces intérieures et extérieures des tuyaux propres et exemptes de soufre, d'oxydes, de poussières/saletés, de particules de copeaux, d'huile, d'humidité, ou de n'importe quel autre contaminant.**

- Les contaminants à l'intérieur de la tuyauterie réfrigérante détérioreront l'huile réfrigérante et entraîneront le dysfonctionnement du compresseur.

---

**Stockez les tuyaux à l'intérieur et conservez les deux extrémités des tuyaux hermétiquement fermées jusqu'au dernier moment avant de réaliser un raccordement par torchage ou un brasage. (Stockez les coudes et autres joints dans des sacs en plastique.)**

- Si de la poussière, des saletés ou de l'eau entrent dans les lignes réfrigérantes, l'huile réfrigérante se détériorera et le compresseur fonctionnera mal.

---

**Brasez les tuyaux avec une purge d'azote pour éviter l'oxydation.**

- Un flux oxydé à l'intérieur des tuyaux réfrigérants détériorera l'huile réfrigérante et entraînera le dysfonctionnement du compresseur.

---

**N'utilisez pas la tuyauterie réfrigérante existante.**

- L'ancien réfrigérant et l'huile réfrigérante présents dans la tuyauterie existante contiennent une grande quantité de chlore qui détériorera l'huile réfrigérante du nouvel appareil et entraînera le dysfonctionnement du compresseur.

---

**Charger du réfrigérant à l'état liquide.**

- Charger du réfrigérant à l'état gazeux modifiera la composition du réfrigérant et conduira à une baisse des performances.

---

**N'utilisez pas un cylindre de chargement pour charger du réfrigérant.**

- L'utilisation d'un cylindre de chargement peut modifier la composition du réfrigérant et conduire à une baisse des performances.

---

**Si un courant électrique important circule en raison d'un dysfonctionnement ou d'une panne de câblage, les disjoncteurs de fuite à la terre du côté de l'appareil et en amont du système d'alimentation électrique peuvent fonctionner. En fonction de l'importance du système, séparez le système d'alimentation ou effectuez une coordination de protection des disjoncteurs.**

---

**Cet appareil est prévu pour être utilisé par des utilisateurs experts ou formés dans les magasins, l'industrie légère et les fermes ou pour une utilisation commerciale par des personnes non initiées.**

---

**Cet appareil n'est pas destiné à être utilisé par des personnes (enfants inclus) dont les capacités mentales, sensorielles ou physiques sont réduite, ou qui ne disposent pas de l'expérience et des connaissances requises, sauf si une personne responsable de leur sécurité assure leur surveillance ou leur formation dans le cadre de l'utilisation de l'appareil.**

---

**Seul le personnel qualifié peut toucher le port USB dans la boîte de commande.**



## 2. À propos du produit

- L'appareil extérieur décrit dans ce manuel est un équipement de climatisation d'air uniquement conçu pour le confort des personnes.
- Les valeurs numériques dans le nom de modèle de l'appareil (par exemple PURY-P\*\*\*TNU-A, PURY-P\*\*\*YNU-A, PURY-EP\*\*\*TNU-A, PURY-EP\*\*\*YNU-A) indiquent l'indice de capacité de l'appareil.
- Cet appareil utilise le réfrigérant R410A.

## 3. Combinaison d'appareils extérieurs

### (1) Modèles TNU (208-230 V)

Modèle extérieur	Combinaison d'appareils extérieurs	
PURY-P72TNU-A(-BS)	-	-
PURY-P96TNU-A(-BS)	-	-
PURY-P120TNU-A(-BS)	-	-
PURY-P144TNU-A(-BS)	-	-
PURY-P168TNU-A(-BS)	-	-
PURY-P192TSNU-A(-BS)	PURY-P96TNU-A(-BS)	PURY-P96TNU-A(-BS)
PURY-P216TSNU-A(-BS)	PURY-P120TNU-A(-BS)	PURY-P96TNU-A(-BS)
PURY-P240TSNU-A(-BS)	PURY-P120TNU-A(-BS)	PURY-P120TNU-A(-BS)
PURY-P264TSNU-A(-BS)	PURY-P144TNU-A(-BS)	PURY-P120TNU-A(-BS)
PURY-P288TSNU-A(-BS)	PURY-P144TNU-A(-BS)	PURY-P144TNU-A(-BS)
PURY-P312TSNU-A(-BS)	PURY-P168TNU-A(-BS)	PURY-P144TNU-A(-BS)
PURY-P336TSNU-A(-BS)	PURY-P168TNU-A(-BS)	PURY-P168TNU-A(-BS)

Modèle extérieur	Combinaison d'appareils extérieurs	
PURY-EP72TNU-A(-BS)	-	-
PURY-EP96TNU-A(-BS)	-	-
PURY-EP120TNU-A(-BS)	-	-
PURY-EP144TNU-A(-BS)	-	-
PURY-EP168TNU-A(-BS)	-	-
PURY-EP192TNU-A(-BS)	-	-
PURY-EP192TSNU-A(-BS)	PURY-EP96TNU-A(-BS)	PURY-EP96TNU-A(-BS)
PURY-EP216TNU-A(-BS)	-	-
PURY-EP216TSNU-A(-BS)	PURY-EP120TNU-A(-BS)	PURY-EP96TNU-A(-BS)
PURY-EP240TNU-A(-BS)	-	-
PURY-EP240TSNU-A(-BS)	PURY-EP120TNU-A(-BS)	PURY-EP120TNU-A(-BS)
PURY-EP264TSNU-A(-BS)	PURY-EP144TNU-A(-BS)	PURY-EP120TNU-A(-BS)
PURY-EP288TSNU-A(-BS)	PURY-EP144TNU-A(-BS)	PURY-EP144TNU-A(-BS)
PURY-EP312TSNU-A(-BS)	PURY-EP168TNU-A(-BS)	PURY-EP144TNU-A(-BS)
PURY-EP336TSNU-A(-BS)	PURY-EP168TNU-A(-BS)	PURY-EP168TNU-A(-BS)
PURY-EP384TSNU-A(-BS)	PURY-EP192TNU-A(-BS)	PURY-EP192TNU-A(-BS)
PURY-EP432TSNU-A(-BS)	PURY-EP216TNU-A(-BS)	PURY-EP216TNU-A(-BS)

\* Le «kit de jumelage» est nécessaire pour raccorder des unités multiples sur site.

### (2) Modèles YNU (460 V)

Modèle extérieur	Combinaison d'appareils extérieurs	
PURY-P72YNU-A(-BS)	-	-
PURY-P96YNU-A(-BS)	-	-
PURY-P120YNU-A(-BS)	-	-
PURY-P144YNU-A(-BS)	-	-
PURY-P168YNU-A(-BS)	-	-
PURY-P192YSNU-A(-BS)	PURY-P96YNU-A(-BS)	PURY-P96YNU-A(-BS)
PURY-P216YSNU-A(-BS)	PURY-P120YNU-A(-BS)	PURY-P96YNU-A(-BS)
PURY-P240YSNU-A(-BS)	PURY-P120YNU-A(-BS)	PURY-P120YNU-A(-BS)
PURY-P264YSNU-A(-BS)	PURY-P144YNU-A(-BS)	PURY-P120YNU-A(-BS)
PURY-P288YSNU-A(-BS)	PURY-P144YNU-A(-BS)	PURY-P144YNU-A(-BS)
PURY-P312YSNU-A(-BS)	PURY-P168YNU-A(-BS)	PURY-P144YNU-A(-BS)
PURY-P336YSNU-A(-BS)	PURY-P168YNU-A(-BS)	PURY-P168YNU-A(-BS)

Modèle extérieur	Combinaison d'appareils extérieurs	
PURY-EP72YNU-A(-BS)	-	-
PURY-EP96YNU-A(-BS)	-	-
PURY-EP120YNU-A(-BS)	-	-
PURY-EP144YNU-A(-BS)	-	-
PURY-EP168YNU-A(-BS)	-	-
PURY-EP192YNU-A(-BS)	-	-
PURY-EP192YSNU-A(-BS)	PURY-EP96YNU-A(-BS)	PURY-EP96YNU-A(-BS)
PURY-EP216YNU-A(-BS)	-	-
PURY-EP216YSNU-A(-BS)	PURY-EP120YNU-A(-BS)	PURY-EP96YNU-A(-BS)
PURY-EP240YNU-A(-BS)	-	-
PURY-EP240YSNU-A(-BS)	PURY-EP120YNU-A(-BS)	PURY-EP120YNU-A(-BS)
PURY-EP264YSNU-A(-BS)	PURY-EP144YNU-A(-BS)	PURY-EP120YNU-A(-BS)
PURY-EP288YSNU-A(-BS)	PURY-EP144YNU-A(-BS)	PURY-EP144YNU-A(-BS)
PURY-EP312YSNU-A(-BS)	PURY-EP168YNU-A(-BS)	PURY-EP144YNU-A(-BS)
PURY-EP336YSNU-A(-BS)	PURY-EP168YNU-A(-BS)	PURY-EP168YNU-A(-BS)
PURY-EP384YSNU-A(-BS)	PURY-EP192YNU-A(-BS)	PURY-EP192YNU-A(-BS)
PURY-EP432YSNU-A(-BS)	PURY-EP216YNU-A(-BS)	PURY-EP216YNU-A(-BS)

\* Le «kit de jumelage» est nécessaire pour raccorder des unités multiples sur site.



# 4. Caractéristiques techniques

## (1) Modèles TNU

Modèle		PURY-P72TNU-A	PURY-P96TNU-A
Niveau sonore <sup>*4 *5</sup>		56,5 dB <A>	58,5 dB <A>
Pression statique externe		0 Pa <sup>*2</sup>	
Appareil intérieur	Capacité totale		50 % à 150 % <sup>*1</sup>
	Modèle		05 à 96
	Quantité	Système R2	1 à 18      1 à 24
Plage de température (Refroidissement)	Intérieur	T.H.	+15,0°C à +24,0°C (+59,0°F à +75,0°F)
	Extérieur	T.S.	-5,0°C à +52,0°C (+23,0°F à +125,6°F)
Plage de température (Chauffage)	Intérieur	T.S.	+15,0°C à +27,0°C (+59,0°F à +81,0°F)
	Extérieur	T.H.	-25,0°C à +15,5°C (-13,0°F à +60,0°F) <sup>*3</sup>

Modèle		PURY-P120TNU-A	PURY-P144TNU-A	PURY-P168TNU-A	PURY-P192TSNU-A	PURY-P216TSNU-A
Niveau sonore <sup>*4 *5</sup>		60,0 dB <A>	65,0 dB <A>	62,5 dB <A>	58,5 dB <A>	60,0 dB <A>
Pression statique externe		0 Pa <sup>*2</sup>				
Appareil intérieur	Capacité totale		50 % à 150 % <sup>*1</sup>			
	Modèle		05 à 96			
	Quantité		1 à 30	1 à 36	1 à 42	1 à 48
Plage de température (Refroidissement)	Intérieur	T.H.	+15,0°C à +24,0°C (+59,0°F à +75,0°F)			
	Extérieur	T.S.	-5,0°C à +52,0°C (+23,0°F à +125,6°F)			
Plage de température (Chauffage)	Intérieur	T.S.	+15,0°C à +27,0°C (+59,0°F à +81,0°F)			
	Extérieur	T.H.	-25,0°C à +15,5°C (-13,0°F à +60,0°F) <sup>*3</sup>			

Modèle		PURY-P240TSNU-A	PURY-P264TSNU-A	PURY-P288TSNU-A	PURY-P312TSNU-A	PURY-P336TSNU-A
Niveau sonore <sup>*4 *5</sup>		60,0 dB <A>	65,0 dB <A>	65,0 dB <A>	62,5 dB <A>	62,5 dB <A>
Pression statique externe		0 Pa <sup>*2</sup>				
Appareil intérieur	Capacité totale		50 % à 150 % <sup>*1</sup>			
	Modèle		05 à 96			
	Quantité		2 à 50	2 à 50	2 à 50	2 à 50
Plage de température (Refroidissement)	Intérieur	T.H.	+15,0°C à +24,0°C (+59,0°F à +75,0°F)			
	Extérieur	T.S.	-5,0°C à +52,0°C (+23,0°F à +125,6°F)			
Plage de température (Chauffage)	Intérieur	T.S.	+15,0°C à +27,0°C (+59,0°F à +81,0°F)			
	Extérieur	T.H.	-25,0°C à +15,5°C (-13,0°F à +60,0°F) <sup>*3</sup>			

Modèle		PURY-EP72TNU-A	PURY-EP96TNU-A
Niveau sonore <sup>*4 *5</sup>		56,5 dB <A>	58,5 dB <A>
Pression statique externe		0 Pa <sup>*2</sup>	
Appareil intérieur	Capacité totale		50 % à 150 % <sup>*1</sup>
	Modèle		05 à 96
	Quantité	Système R2	1 à 18      1 à 24
Plage de température (Refroidissement)	Intérieur	T.H.	+15,0°C à +24,0°C (+59,0°F à +75,0°F)
	Extérieur	T.S.	-5,0°C à +52,0°C (+23,0°F à +125,6°F)
Plage de température (Chauffage)	Intérieur	T.S.	+15,0°C à +27,0°C (+59,0°F à +81,0°F)
	Extérieur	T.H.	-25,0°C à +15,5°C (-13,0°F à +60,0°F)

Modèle		PURY-EP120TNU-A	PURY-EP144TNU-A	PURY-EP168TNU-A	PURY-EP192TNU-A	PURY-EP192TSNU-A
Niveau sonore <sup>*4 *5</sup>		60,0 dB <A>	65,0 dB <A>	62,5 dB <A>	64,5 dB <A>	58,5 dB <A>
Pression statique externe		0 Pa <sup>*2</sup>				
Appareil intérieur	Capacité totale		50 % à 150 % <sup>*1</sup>			
	Modèle		05 à 96			
	Quantité		1 à 30	1 à 36	1 à 42	1 à 48
Plage de température (Refroidissement)	Intérieur	T.H.	+15,0°C à +24,0°C (+59,0°F à +75,0°F)			
	Extérieur	T.S.	-5,0°C à +52,0°C (+23,0°F à +125,6°F)			
Plage de température (Chauffage)	Intérieur	T.S.	+15,0°C à +27,0°C (+59,0°F à +81,0°F)			
	Extérieur	T.H.	-25,0°C à +15,5°C (-13,0°F à +60,0°F)			

Modèle		PURY-EP216TNU-A	PURY-EP216TSNU-A	PURY-EP240TNU-A	PURY-EP240TSNU-A	PURY-EP264TSNU-A
Niveau sonore <sup>*4 *5</sup>		66,5 dB <A>	60,0 dB <A>	67,5 dB <A>	60,0 dB <A>	65,0 dB <A>
Pression statique externe		0 Pa <sup>*2</sup>				
Appareil intérieur	Capacité totale		50 % à 150 % <sup>*1</sup>			
	Modèle		05 à 96			
	Quantité		2 à 50	2 à 50	2 à 50	2 à 50
Plage de température (Refroidissement)	Intérieur	T.H.	+15,0°C à +24,0°C (+59,0°F à +75,0°F)			
	Extérieur	T.S.	-5,0°C à +52,0°C (+23,0°F à +125,6°F)			
Plage de température (Chauffage)	Intérieur	T.S.	+15,0°C à +27,0°C (+59,0°F à +81,0°F)			
	Extérieur	T.H.	-25,0°C à +15,5°C (-13,0°F à +60,0°F)			

Modèle	PURY-EP288TSNU-A		PURY-EP312TSNU-A	PURY-EP336TSNU-A	PURY-EP384TSNU-A	PURY-EP432TSNU-A
Niveau sonore <sup>*4 *5</sup>	65,0 dB <A>		62,5 dB <A>	62,5 dB <A>	67,5 dB <A>	69,5 dB <A>
Pression statique externe	0 Pa <sup>*2</sup>					
Appareil intérieur	Capacité totale		50 % à 150 % <sup>*1</sup>			
	Modèle		05 à 96			
	Quantité	2 à 50	2 à 50	2 à 50	2 à 50	2 à 50
Plage de température (Refroidissement)	Intérieur	T.H.	+15,0°C à +24,0°C (+59,0°F à +75,0°F)			
	Extérieur	T.S.	-5,0°C à +52,0°C (+23,0°F à +125,6°F)			
Plage de température (Chauffage)	Intérieur	T.S.	+15,0°C à +27,0°C (+59,0°F à +81,0°F)			
	Extérieur	T.H.	-25,0°C à +15,5°C (-13,0°F à +60,0°F)			

\*1 La capacité totale maximale des appareils intérieurs fonctionnant simultanément est de 150 %.

\*2 Pour activer le réglage de pression statique élevée, réglez le commutateur DIP de la carte principale comme suit.

	SW6-5: ACTIVÉ	SW6-5: DÉSACTIVÉ
SW6-4: ACTIVÉ	80 Pa	60 Pa
SW6-4: DÉSACTIVÉ	30 Pa	0 Pa

\*3 Lors de l'utilisation de l'unité dans un environnement où la température est inférieure à -20,0°C (-4,0°F), consultez votre ingénieur de conception et prenez la mesure appropriée pour une utilisation dans des conditions climatiques froides, comme l'installation d'une alimentation de secours pour le chauffage.

\*4 Mode refroidissement

\*5 Le niveau de pression sonore indiqué ci-dessus correspond au niveau de pression acoustique pondéré A. Même si, dans JIS, le niveau de pression sonore a été remplacé par le niveau de puissance sonore (PWL), la valeur indiquée ci-dessus correspond au niveau de pression sonore mesuré selon la méthode classique à des fins de référence.

## (2) Modèles YNU

Modèle	PURY-P72YNU-A		PURY-P96YNU-A
Niveau sonore <sup>*4 *5</sup>	56,5 dB <A>		58,5 dB <A>
Pression statique externe	0 Pa <sup>*2</sup>		
Appareil intérieur	Capacité totale		50 % à 150 % <sup>*1</sup>
	Modèle		05 à 96
	Quantité	Système R2	1 à 18 / 1 à 24
Plage de température (Refroidissement)	Intérieur	T.H.	+15,0°C à +24,0°C (+59,0°F à +75,0°F)
	Extérieur	T.S.	-5,0°C à +52,0°C (+23,0°F à +125,6°F)
Plage de température (Chauffage)	Intérieur	T.S.	+15,0°C à +27,0°C (+59,0°F à +81,0°F)
	Extérieur	T.H.	-25,0°C à +15,5°C (-13,0°F à +60,0°F) <sup>*3</sup>

Modèle	PURY-P120YNU-A		PURY-P144YNU-A	PURY-P168YNU-A	PURY-P192YNSNU-A	PURY-P216YSNU-A
Niveau sonore <sup>*4 *5</sup>	60,0 dB <A>		65,0 dB <A>	62,5 dB <A>	58,5 dB <A>	60,0 dB <A>
Pression statique externe	0 Pa <sup>*2</sup>					
Appareil intérieur	Capacité totale		50 % à 150 % <sup>*1</sup>			
	Modèle		05 à 96			
	Quantité		1 à 30	1 à 36	1 à 42	1 à 48 / 2 à 50
Plage de température (Refroidissement)	Intérieur	T.H.	+15,0°C à +24,0°C (+59,0°F à +75,0°F)			
	Extérieur	T.S.	-5,0°C à +52,0°C (+23,0°F à +125,6°F)			
Plage de température (Chauffage)	Intérieur	T.S.	+15,0°C à +27,0°C (+59,0°F à +81,0°F)			
	Extérieur	T.H.	-25,0°C à +15,5°C (-13,0°F à +60,0°F) <sup>*3</sup>			

Modèle	PURY-P240YSNU-A		PURY-P264YSNU-A	PURY-P288YSNU-A	PURY-P312YSNU-A	PURY-P336YSNU-A
Niveau sonore <sup>*4 *5</sup>	60,0 dB <A>		65,0 dB <A>	65,0 dB <A>	62,5 dB <A>	62,5 dB <A>
Pression statique externe	0 Pa <sup>*2</sup>					
Appareil intérieur	Capacité totale		50 % à 150 % <sup>*1</sup>			
	Modèle		05 à 96			
	Quantité		2 à 50	2 à 50	2 à 50	2 à 50 / 2 à 50
Plage de température (Refroidissement)	Intérieur	T.H.	+15,0°C à +24,0°C (+59,0°F à +75,0°F)			
	Extérieur	T.S.	-5,0°C à +52,0°C (+23,0°F à +125,6°F)			
Plage de température (Chauffage)	Intérieur	T.S.	+15,0°C à +27,0°C (+59,0°F à +81,0°F)			
	Extérieur	T.H.	-25,0°C à +15,5°C (-13,0°F à +60,0°F) <sup>*3</sup>			

Modèle	PURY-EP72YNU-A		PURY-EP96YNU-A
Niveau sonore <sup>*4 *5</sup>	56,5 dB <A>		58,5 dB <A>
Pression statique externe	0 Pa <sup>*2</sup>		
Appareil intérieur	Capacité totale		50 % à 150 % <sup>*1</sup>
	Modèle		05 à 96
	Quantité	Système R2	1 à 18 / 1 à 24
Plage de température (Refroidissement)	Intérieur	T.H.	+15,0°C à +24,0°C (+59,0°F à +75,0°F)
	Extérieur	T.S.	-5,0°C à +52,0°C (+23,0°F à +125,6°F)
Plage de température (Chauffage)	Intérieur	T.S.	+15,0°C à +27,0°C (+59,0°F à +81,0°F)
	Extérieur	T.H.	-25,0°C à +15,5°C (-13,0°F à +60,0°F)

Modèle	PURY-EP120YNU-A		PURY-EP144YNU-A	PURY-EP168YNU-A	PURY-EP192YNU-A	PURY-EP192YSNU-A
Niveau sonore <sup>*4 *5</sup>	60,0 dB <A>		65,0 dB <A>	62,5 dB <A>	64,5 dB <A>	58,5 dB <A>
Pression statique externe	0 Pa <sup>*2</sup>					
Appareil intérieur	Capacité totale		50 % à 150 % <sup>*1</sup>			
	Modèle		05 à 96			
	Quantité		1 à 30	1 à 36	1 à 42	1 à 48 / 1 à 48
Plage de température (Refroidissement)	Intérieur	T.H.	+15,0°C à +24,0°C (+59,0°F à +75,0°F)			
	Extérieur	T.S.	-5,0°C à +52,0°C (+23,0°F à +125,6°F)			
Plage de température (Chauffage)	Intérieur	T.S.	+15,0°C à +27,0°C (+59,0°F à +81,0°F)			
	Extérieur	T.H.	-25,0°C à +15,5°C (-13,0°F à +60,0°F)			

Modèle			PURY-EP216YNU-A	PURY-EP216YSNU-A	PURY-EP240YNU-A	PURY-EP240YSNU-A	PURY-EP264YSNU-A
Niveau sonore*4 *5			66,5 dB <A>	60,0 dB <A>	67,5 dB <A>	60,0 dB <A>	65,0 dB <A>
Pression statique externe			0 Pa*2				
Appareil intérieur	Capacité totale		50 % à 150 %*1				
	Modèle		05 à 96				
	Quantité		2 à 50	2 à 50	2 à 50	2 à 50	2 à 50
Plage de température (Refroidissement)	Intérieur	T.H.	+15,0°C à +24,0°C (+59,0°F à +75,0°F)				
	Extérieur	T.S.	-5,0°C à +52,0°C (+23,0°F à +125,6°F)				
Plage de température (Chauffage)	Intérieur	T.S.	+15,0°C à +27,0°C (+59,0°F à +81,0°F)				
	Extérieur	T.H.	-25,0°C à +15,5°C (-13,0°F à +60,0°F)				

Modèle			PURY-EP288YSNU-A	PURY-EP312YSNU-A	PURY-EP336YSNU-A	PURY-EP384YSNU-A	PURY-EP432YSNU-A
Niveau sonore*4 *5			65,0 dB <A>	62,5 dB <A>	62,5 dB <A>	67,5 dB <A>	69,5 dB <A>
Pression statique externe			0 Pa*2				
Appareil intérieur	Capacité totale		50 % à 150 %*1				
	Modèle		05 à 96				
	Quantité		2 à 50	2 à 50	2 à 50	2 à 50	2 à 50
Plage de température (Refroidissement)	Intérieur	T.H.	+15,0°C à +24,0°C (+59,0°F à +75,0°F)				
	Extérieur	T.S.	-5,0°C à +52,0°C (+23,0°F à +125,6°F)				
Plage de température (Chauffage)	Intérieur	T.S.	+15,0°C à +27,0°C (+59,0°F à +81,0°F)				
	Extérieur	T.H.	-25,0°C à +15,5°C (-13,0°F à +60,0°F)				

\*1 La capacité totale maximale des appareils intérieurs fonctionnant simultanément est de 150 %.

\*2 Pour activer le réglage de pression statique élevée, réglez le commutateur DIP de la carte principale comme suit.

	SW6-5: ACTIVÉ	SW6-5: DÉSACTIVÉ
SW6-4: ACTIVÉ	80 Pa	60 Pa
SW6-4: DÉSACTIVÉ	30 Pa	0 Pa

\*3 Lors de l'utilisation de l'unité dans un environnement où la température est inférieure à -20,0°C (-4,0°F), consultez votre ingénieur de conception et prenez la mesure appropriée pour une utilisation dans des conditions climatiques froides, comme l'installation d'une alimentation de secours pour le chauffage.

\*4 Mode refroidissement

\*5 Le niveau de pression sonore indiqué ci-dessus correspond au niveau de pression acoustique pondéré A. Même si, dans JIS, le niveau de pression sonore a été remplacé par le niveau de puissance sonore (PWL), la valeur indiquée ci-dessus correspond au niveau de pression sonore mesuré selon la méthode classique à des fins de référence.

# 5. Contenu de l'emballage

---

Le tableau ci-dessous indique toutes les pièces et leurs quantités présentes dans l'emballage.

## (1) Modèles P

	Bande d'attache
P72	2
P96	2
P120	2
P144	2
P168	2

## (2) Modèles EP

	Bande d'attache
EP72	2
EP96	2
EP120	2
EP144	2
EP168	2
EP192	2
EP216	2
EP240	2

# 6. Transport de l'appareil

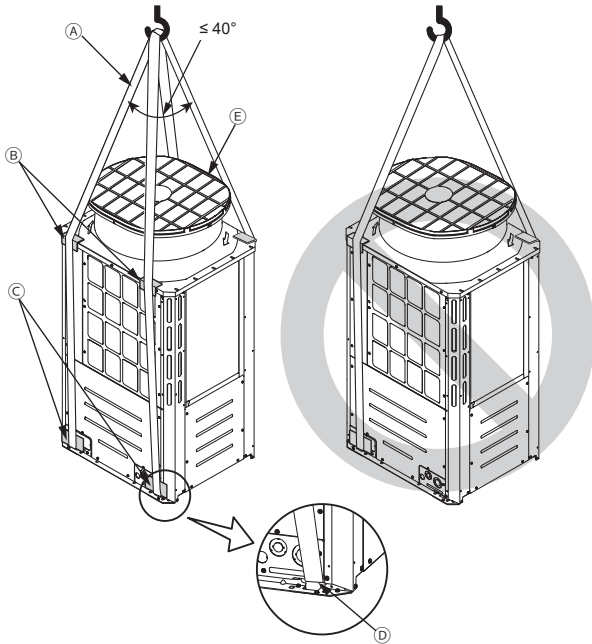
## **AVERTISSEMENT**

**En cas de levage de l'appareil, passez les élingues dans les quatre trous d'élingues désignés.**

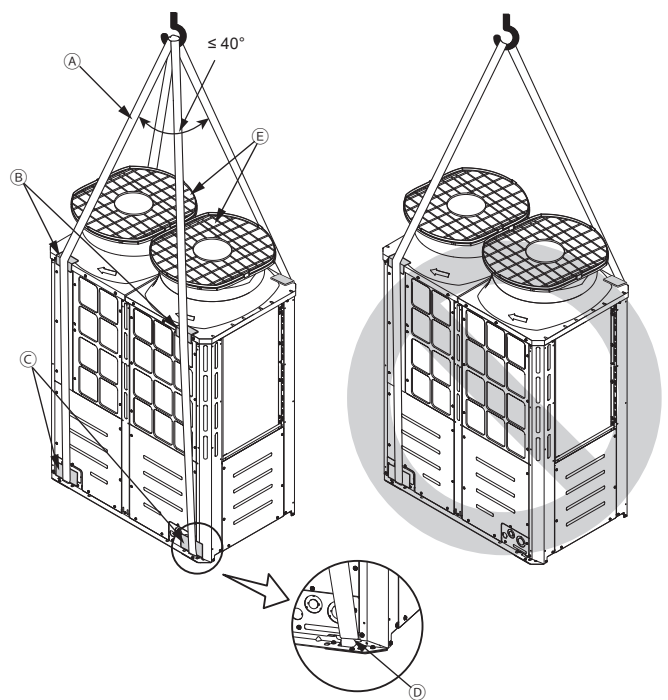
- Un levage incorrect entraînera le basculement ou la chute de l'appareil, causant des blessures graves.

- Utilisez toujours deux élingues pour lever l'appareil. Chaque élingue doit faire au moins 8 m (26 pieds) de long et doit être capable de supporter le poids de l'appareil.
- Mettez des tampons de protection entre les élingues et l'appareil à l'endroit où les élingues touchent l'appareil à la base pour protéger l'appareil des rayures.
- Mettez des tampons de protection de 50 mm (2 po) d'épaisseur ou plus entre les élingues et l'appareil à l'endroit où les élingues touchent l'appareil à son sommet pour protéger l'appareil des rayures et pour éviter le contact avec les élingues et la protection du ventilateur.
- Assurez-vous que les angles entre les élingues au sommet sont inférieurs à 40 degrés.

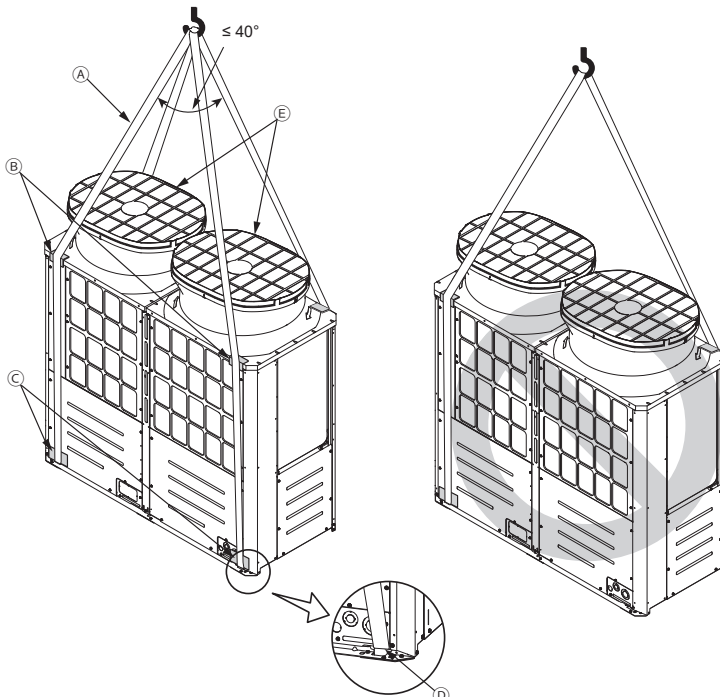
P72, EP72



P96, P120, P144, EP96, EP120, EP144



P168, EP168, EP192, EP216, EP240



- (A) Élingues (Min. 8 m (26 pieds) x 2)
- (B) Tampons de protection (Épaisseur minimale : 50 mm (2 po))  
(deux chacun à l'avant et à l'arrière)
- (C) Tampons de protection  
(deux chacun à l'avant et à l'arrière)
- (D) Trous d'élingues  
(deux chacun à l'avant et à l'arrière)
- (E) Grille de protection du ventilateur

# 7. Emplacement d'installation

## **AVERTISSEMENT**

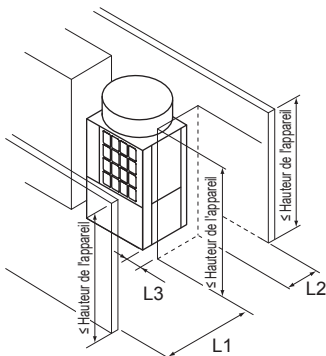
**N'installez pas l'appareil à un endroit où peut se produire une fuite de gaz combustible.**

- Si un gaz combustible s'accumule autour de l'appareil, un incendie ou une explosion peuvent se produire.
- Laissez un espace suffisant autour de l'appareil pour un fonctionnement efficace, une circulation d'air efficace et un accès facile pour la maintenance.
- Notez que le gaz réfrigérant est plus lourd que l'air. Il aura par conséquent tendance à s'accumuler dans les endroits bas tels que les sous-sols.
- Si un appareil intérieur qui aspire de l'air extérieur évacue à proximité de l'appareil extérieur, faites attention de ne pas perturber le fonctionnement normal de l'appareil intérieur.
- Lorsque la quantité d'eau d'évacuation est excessive, cette dernière sort de l'appareil extérieur le long du panneau durant l'opération de chauffage. Laissez un espace suffisant autour de l'unité conformément aux instructions ci-dessous.

### 7-1. Installation d'un appareil unique

(1) Si toutes les parois sont dans leurs limites de hauteur\*.

[mm (po)]



\* Limite de hauteur

Avant/Droite/Gauche/Arrière	Hauteur égale ou inférieure à la hauteur totale de l'appareil
-----------------------------	---

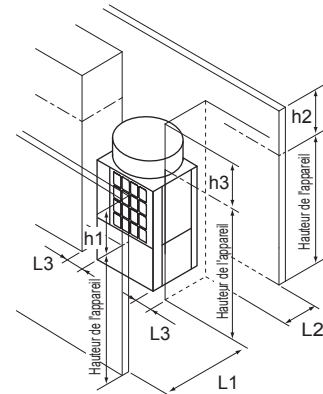
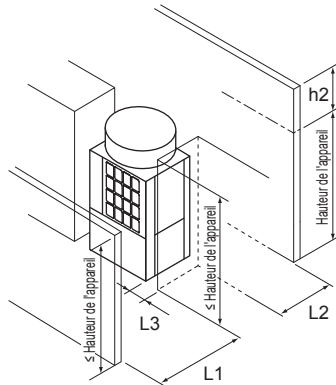
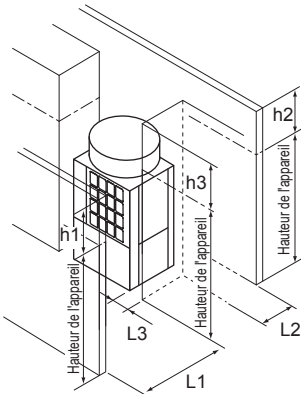
	Distance minimale nécessaire [mm (po)]		
	L1 (Avant)	L2 (Arrière)	L3 (Droite/Gauche)
Si la distance derrière l'appareil (L2) doit être faible	450 (17-3/4)	100 (3-15/16)	50 (2)
Si la distance à droite ou à gauche (L3) doit être faible	450 (17-3/4)	300 (11-13/16)	15 (5/8)

(2) Si une ou plusieurs parois dépassent leurs limites de hauteur\*.

Si la/les paroi(s) à l'avant et/ou à droite/gauche dépasse(nt) leurs limites de hauteur

Si la paroi à l'arrière dépasse sa limite de hauteur

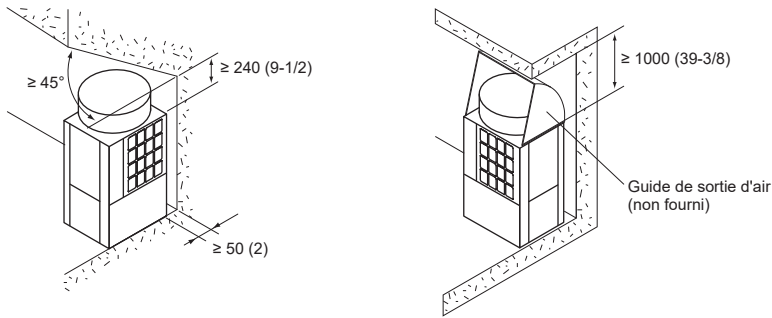
Si toutes les parois dépassent leurs limites de hauteur



Ajoutez la dimension qui dépasse la limite de hauteur (indiquée de « h1 » à « h3 » dans les figures) à L1, L2 et L3 comme indiqué dans la table ci-dessous.

	Distance minimale nécessaire [mm (po)]		
	L1 (Avant)	L2 (Arrière)	L3 (Droite/Gauche)
Si la distance derrière l'appareil (L2) doit être faible	450 (17-3/4) + h1	100 (3-15/16) + h2	50 (2) + h3
Si la distance à droite ou à gauche (L3) doit être faible	450 (17-3/4) + h1	300 (11-13/16) + h2	15 (5/8) + h3

(3) S'il y a des obstacles aériens

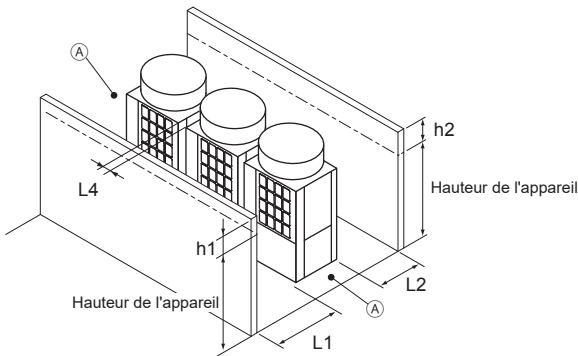


## 7-2. Installation d'appareils multiples

- Lors de l'installation de plusieurs appareils, assurez-vous de prendre en considération des facteurs tels que laisser assez d'espace pour que les personnes passent, un espace important entre les blocs d'appareils et un espace suffisant pour l'écoulement d'air. (Les zones marquées d'un **A** dans les figures ci-dessous doivent rester ouvertes.)
- De la même façon qu'avec l'installation d'un appareil unique, ajoutez les dimensions qui dépassent la limite de hauteur (indiquée de « h1 » à « h3 » dans les figures) à L1, L2 et L3 comme indiqué dans les tables ci-dessous.
- S'il y a des parois à l'avant et à l'arrière du bloc d'appareils, jusqu'à six appareils (P168, EP168, EP192, EP216, et EP240) peuvent être installés consécutivement côte à côte et un espace de 1 000 mm (39-3/8 po) ou plus doit être laissé entre chaque bloc de six appareils.
- Lorsque la quantité d'eau d'évacuation est excessive, cette dernière sort de l'appareil extérieur le long du panneau durant l'opération de chauffage.

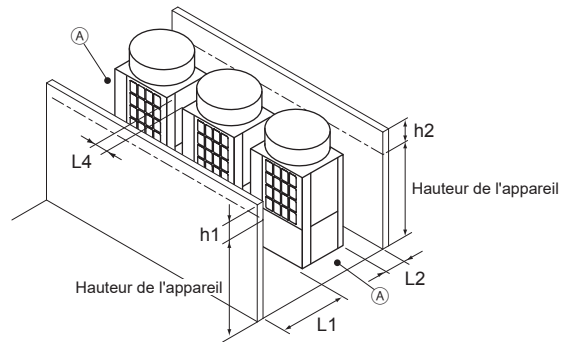
(1) Installation côte à côte

Si les distances entre les appareils (L4) doivent être faibles



Distance minimale nécessaire [mm (po)]		
L1 (Avant)	L2 (Arrière)	L4 (Entre)
450 (17-3/4) + h1	300 (11-13/16) + h2	30 (1-3/16)

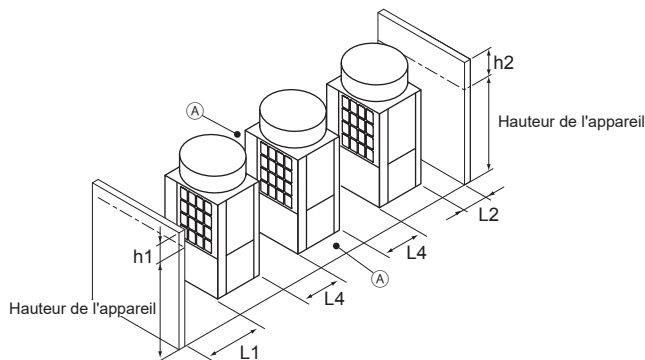
Si la distance derrière le bloc d'appareils (L2) doivent être faible



Distance minimale nécessaire [mm (po)]		
L1 (Avant)	L2 (Arrière)	L4 (Entre)
450 (17-3/4) + h1	100 (3-15/16) + h2	100 (3-15/16)

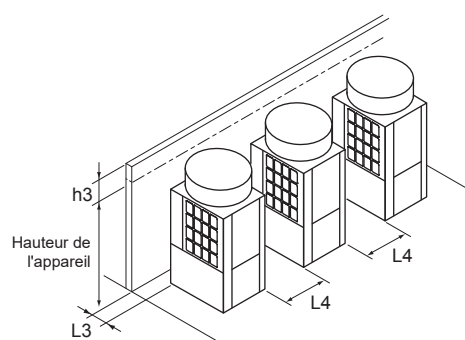
(2) Installation face à face

S'il y a des parois à l'avant et à l'arrière du bloc d'appareils



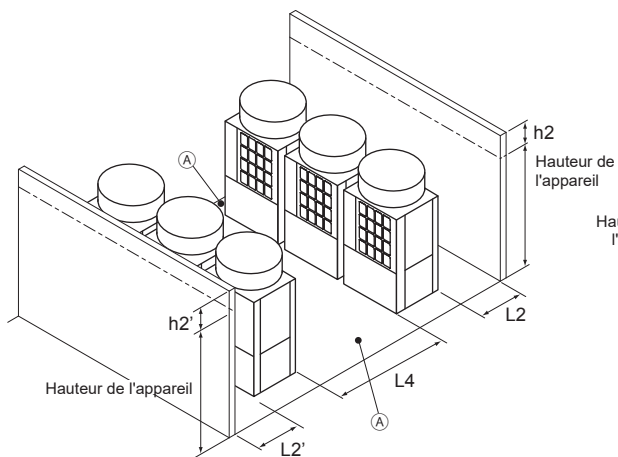
Distance minimale nécessaire [mm (po)]		
L1 (Avant)	L2 (Arrière)	L4 (Entre)
450 (17-3/4) + h1	100 (3-15/16) + h2	450 (17-3/4)

S'il y a une paroi sur le côté droit ou gauche du bloc d'appareils



Distance minimale nécessaire [mm (po)]	
L3 (Droite/Gauche)	L4 (Entre)
15 (5/8) + h3	450 (17-3/4)

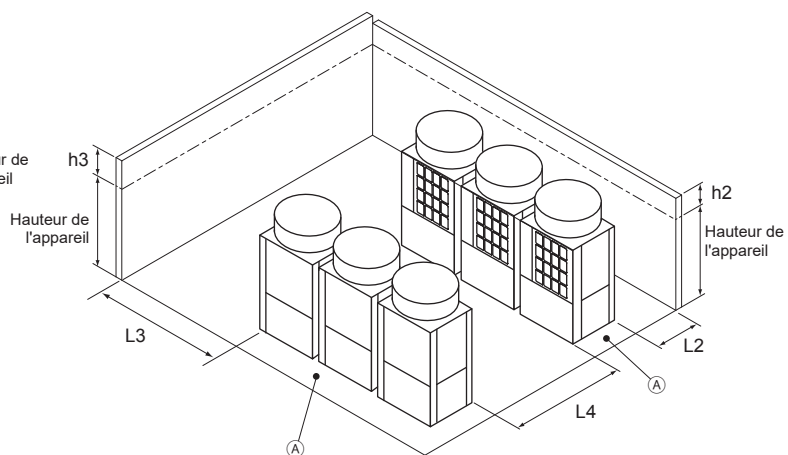
(3) Combinaison d'installations face à face et côte à côte  
 S'il y a des parois à l'avant et à l'arrière du bloc d'appareils



Distance minimale nécessaire [mm (po)]		
L2 (Arrière)	L2' (Arrière)	L4 (Entre)
300 (11-13/16) + h2	300 (11-13/16) + h2'	900 (35-7/16)

Ⓐ Laissez ouvert dans deux directions.

S'il y a deux parois en L



Distance minimale nécessaire [mm (po)]		
L2 (Arrière)	L3 (Droite/Gauche)	L4 (Entre)
300 (11-13/16) + h2	1000 (39-3/8) + h3	900 (35-7/16)



# 8. Travaux de fondation

## **AVERTISSEMENT**

Installez l'appareil conformément aux instructions pour réduire le risque de dommages dus aux tremblements de terre et aux vents forts.

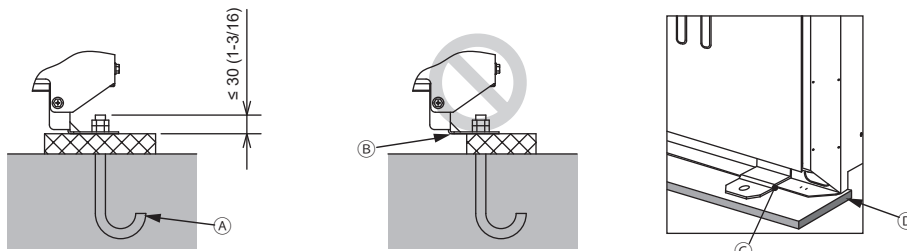
- Une installation incorrecte entraînera le basculement de l'appareil, causant des blessures graves.

**L'appareil doit être solidement installé sur une structure pouvant supporter son poids.**

- À défaut, ceci provoquera la chute de l'appareil, causant des blessures graves.

- Lors des travaux de fondation, assurez-vous que la surface du sol présente une résistance suffisante et acheminez précautionneusement les tuyaux et les câbles en prenant en compte l'évacuation d'eau qui sera nécessaire quand l'appareil fonctionnera.
- Si vous envisagez de faire passer les tuyaux et les câbles par la partie inférieure de l'appareil, assurez-vous que la base fait au moins 100 mm (3-15/16 po) de haut afin que les trous de passage ne soient pas bloqués.
- Constituez une base solide en béton ou avec des cornières. Si une base en acier inoxydable est utilisée, isolez la zone entre la base et l'appareil extérieur en mettant un coussin en caoutchouc ou en appliquant un revêtement isolé électriquiquement pour empêcher la base de rouiller.
- Installez l'appareil sur une surface plane.
- Sur certains types d'installations, les vibrations et le bruit de l'appareil seront transmis aux sols et aux parois. Dans de tels emplacements, prenez des mesures pour empêcher les vibrations (telles qu'utiliser des tampons anti-vibrations en caoutchouc).

[mm (po)]



- (A) Boulon d'ancrage M10 (non fourni)
- (B) (Installation incorrecte) La section d'angle n'est pas accueillie solidement.
- (C) Fixer le support pour les boulons d'ancrage rapportés (non fournis) (À fixer avec trois vis)
- (D) Tampon anti-vibrations en caoutchouc (Le tampon doit être assez grand pour couvrir toute la largeur de chaque pied de l'appareil.)

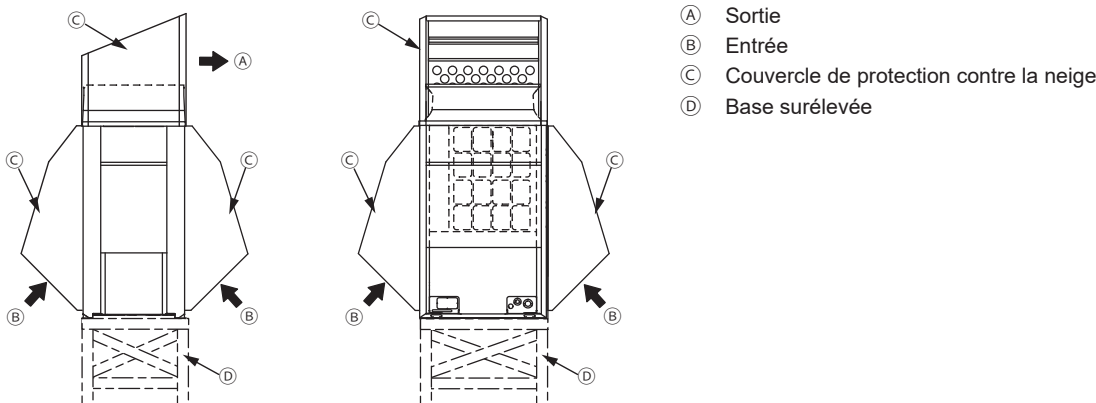
- Assurez-vous que la section d'angle est solidement accueillie. Dans le cas contraire, les pieds de l'appareil peuvent plier.
- La longueur de la partie saillante du boulon d'ancrage doit être inférieure ou égale à 30 mm (1-3/16 po).
- Cet appareil n'est pas conçu pour être fixé avec des boulons d'ancrage rapportés sauf si des supports de fixation sont installés aux quatre emplacements inférieurs (six emplacements pour les appareils P168, EP168, EP192, EP216, et EP240).
- Dans des environnements anormalement difficiles, tels que des endroits froids et/ou venteux, il convient de prendre des mesures suffisantes pour protéger l'appareil contre les excès de vent et de neige afin d'en assurer le bon fonctionnement. Si l'appareil doit fonctionner en mode de refroidissement à des températures inférieures à 10 °C (50 °F), dans des zones neigeuses, dans des environnements exposés à des vents ou des pluies violentes, installez les couvercles de protection contre la neige aux spécifications suivantes (non fournis) comme indiqué dans la figure ci-dessous.

Matériaux : Plaque d'acier galvanisé 1,2T

Peinture : Peinture de l'ensemble avec de la poudre de polyester

Couleur : Munsell 5Y8/1 (identique à la couleur de l'appareil)

Dimension : Consultez le Data Book.



- Installez l'appareil de sorte que le vent ne souffle pas directement contre l'entrée et la sortie.
- Si nécessaire, installez l'appareil sur une base surélevée avec les spécifications suivantes (non fournie) pour éviter les dommages dus à la neige.

Matériaux : Cornière (Construisez une structure dans laquelle la neige et le vent peuvent passer.)

Hauteur : Enneigement maximal attendu plus 200 mm (7-7/8 po)

Largeur : Dans les limites de la largeur de l'appareil (Si la base surélevée est trop large, la neige va s'accumuler sur la base surélevée.)

- Si l'appareil est utilisé dans une région froide et fonctionne en mode de chauffage continu pendant une longue période où la température extérieure est inférieure à 0 °C, installez un chauffage sur la base surélevée ou prenez toute autre mesure adéquate pour empêcher l'eau de geler sur la base surélevée.
- Quand vous installez un panneau chauffant, il est nécessaire de prévoir de l'espace suffisant pour pouvoir effectuer l'entretien. Pour plus de détails, reportez-vous au Data Book ou aux modes d'emploi pour le panneau chauffant.

# 9. Travaux de tuyauterie réfrigérante

## **⚠ AVERTISSEMENT**

Utilisez uniquement un réfrigérant de type indiqué dans les manuels fournis avec l'unité et sur la plaque signalétique.

- Faute de quoi, l'unité ou la tuyauterie pourrait éclater, ou cela pourrait provoquer une explosion ou un incendie pendant l'utilisation, la réparation ou la mise au rebut de l'unité.
- Cela pourrait également constituer une violation des lois applicables.
- MITSUBISHI ELECTRIC CORPORATION ne peut être tenue responsable de tout dysfonctionnement ou accident résultant de l'utilisation du mauvais type de réfrigérant.

Une fois l'installation terminée, vérifiez les fuites de réfrigérant.

- Si le réfrigérant fuit, une insuffisance d'oxygène peut se produire. Si le réfrigérant ayant fui entre en contact avec une source de chaleur, un gaz toxique sera émis.

## **⚠ ATTENTION**

Portez des gants de protection quand vous travaillez sur l'appareil.

- À défaut, ceci peut provoquer des blessures.
- Les tuyaux à haute pression posent un risque de brûlure s'ils sont touchés à main nue lorsque l'unité est en fonctionnement.

## **ATTENTION**

Utilisez les outils suivants spécialement conçus pour être utilisés avec le réfrigérant spécifié : Manomètre de pression, tuyau flexible de charge, détecteur de fuite de gaz, soupape anti-retour, base de charge du réfrigérant, manomètre à vide et équipement de récupération du réfrigérant.

- Les détecteurs de fuite de gaz pour les réfrigérants conventionnels ne réagissent pas à un réfrigérant qui ne contient pas de chlore.
- Si le réfrigérant spécifié est mélangé à de l'eau, de l'huile réfrigérante ou un autre réfrigérant, l'huile réfrigérante se détériorera et le compresseur fonctionnera mal.

N'utilisez pas la tuyauterie réfrigérante existante.

- L'ancien réfrigérant et l'huile réfrigérante présents dans la tuyauterie existante contiennent une grande quantité de chlore qui détériorera l'huile réfrigérante du nouvel appareil et entraînera le dysfonctionnement du compresseur.

## 9-1. Restrictions

- La tuyauterie réfrigérante existante ne doit pas être utilisée car la pression de conception des systèmes utilisant R410A est supérieure à celle des systèmes utilisant d'autres types de réfrigérants.
- N'installez pas la tuyauterie extérieure de l'appareil quand il pleut.
- N'utilisez pas de détergents spéciaux pour laver la tuyauterie.
- Observez toujours les restrictions sur la tuyauterie réfrigérante (telles que la taille du tuyau, la longueur du tuyau et la distance de séparation verticale) pour éviter une panne de l'équipement ou une diminution des performances de chauffage/refroidissement.
- N'installez pas de vannes électromagnétiques pour prévenir le retour d'huile et une panne de démarrage du compresseur.
- N'installez pas de regard qui pourrait montrer un flux incorrect du frigorigène. Si un hublot de regard est installé, les techniciens inexpérimentés qui l'utilisent peuvent surcharger le réfrigérant.
- Le tuyau provenant de plusieurs appareils extérieurs doit être installé de sorte que l'huile ne s'accumulera pas dans le tuyau sous certaines conditions. Consultez les figures ci-dessous pour plus de détails.

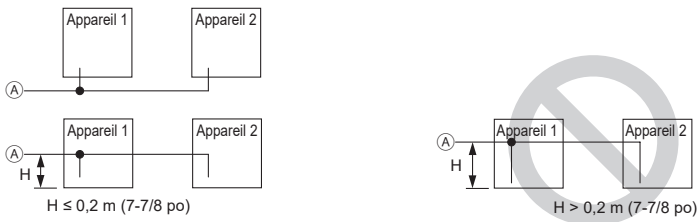
\* Les petits points dans les figures indiquent les points de dérivation.

(A) Vers un contrôleur BC

- (1) Le tuyau provenant des appareils extérieurs doit être incliné vers le bas du côté de l'appareil intérieur. Dans la figure à droite, vu que le tuyau est incliné vers le haut, l'huile dans le tuyau s'accumule si l'appareil 1 fonctionne et l'appareil 2 est arrêté.



- (2) La distance entre la partie inférieure de l'appareil et le tuyau (H) doit être inférieure ou égale à 0,2 m (7-7/8 po). Dans la figure à droite, vu que la distance est supérieure à 0,2 m (7-7/8 po), l'huile s'accumule dans l'appareil 1 si l'appareil 2 fonctionne et l'appareil 1 est arrêté.



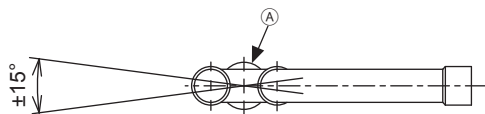
- (3) La séparation verticale entre les appareils (H) doit être inférieure ou égale à 0,1 m (3-15/16 po). Dans la figure à droite, vu que la distance est supérieure à 0,1 m (3-15/16 po), l'huile s'accumule dans l'appareil 1 si l'appareil 2 fonctionne et l'appareil 1 est arrêté.



- (4) La séparation verticale entre les appareils (H) doit être inférieure ou égale à 0,1 m (3-15/16 po). Dans la figure à droite, vu que la distance est supérieure à 0,1 m (3-15/16 po), l'huile s'accumule dans l'appareil 2 si l'appareil 1 fonctionne et l'appareil 2 est arrêté.

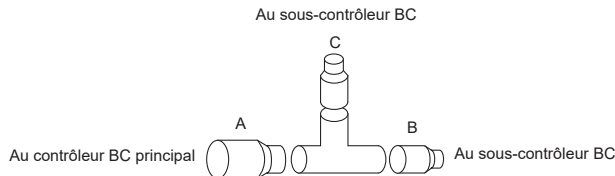


- Assurez-vous que la tolérance d'inclinaison du kit de jumelage est de  $\pm 15^\circ$  par rapport au sol pour éviter d'endommager l'appareil.



Ⓐ Kit de jumelage

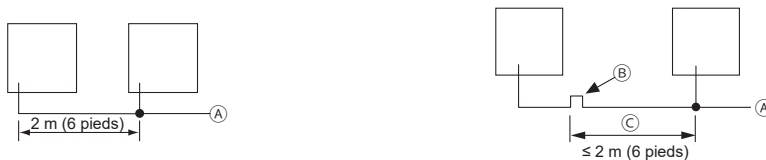
- Restriction sur l'installation du tuyau d'assemblage à 2 branches CMY-R201/202/203/204/205S-G sur le tuyau haute pression, sur le tuyau basse pression et sur le tuyau de liquide.



- En ce qui concerne le tuyau d'assemblage à 2 branches sur le tuyau haute pression/basse pression/liquide, A et B doivent être installés horizontalement et C doit être installé vers le haut, plus haut que le plan horizontal de A et B.

- Si la longueur du tuyau entre le point de dérivation et l'appareil extérieur dépasse 2 m (6 pieds), mettez en place un collecteur à moins de 2 m (6 pieds) du point de dérivation. Le collecteur doit faire au moins 200 mm (7-7/8 po) de haut. (tuyau haute pression seulement) En l'absence de siphon, de l'huile peut s'accumuler à l'intérieur du tuyau, provoquant un manque d'huile pouvant endommager le compresseur.

\* Les petits points dans les figures indiquent les points de dérivation.



- Ⓐ Vers un contrôleur BC
- Ⓑ Siphon (tuyau haute pression seulement)
- Ⓒ Tuyau haute pression

## 9-2. Sélection de tuyau

### ATTENTION

Utilisez une tuyauterie réfrigérante en cuivre désoxydé au phosphore (tuyaux en cuivre et en alliage de cuivre sans soudure) respectant les exigences locales. Les joints des tuyaux doivent également respecter les exigences locales. Maintenez les surfaces intérieures et extérieures des tuyaux propres et exemptes de soufre, d'oxydes, de poussières/saletés, de particules de copeaux, d'huile, d'humidité, ou de n'importe quel autre contaminant.

- Les contaminants à l'intérieur de la tuyauterie réfrigérante détérioreront l'huile réfrigérante et entraîneront le dysfonctionnement du compresseur.

Utilisez des tuyaux réfrigérants pouvant être utilisés avec le système réfrigérant R410A. Une tuyauterie pour des systèmes pouvant être utilisés avec d'autres types de réfrigérants ne pourront peut-être pas être utilisés.

Utilisez des tuyaux réfrigérants ayant une épaisseur spécifiée dans la table ci-dessous.

Taille [mm (po)]	Épaisseur minimale de la paroi [mm (po)]
ø6,35 (ø1/4)	0,67 (0,0265)
ø9,52 (ø3/8)	0,72 (0,0285)
ø12,7 (ø1/2)	0,72 (0,0285)
ø15,88 (ø5/8)	0,8 (0,0315)
ø19,05 (ø3/4)	0,98 (0,0385)
ø22,2 (ø7/8)	1,04 (0,0410)
ø25,4 (ø1)	1,17 (0,0460)
ø28,58 (ø1-1/8)	1,17 (0,0460)
ø31,75 (ø1-1/4)	1,28 (0,0505)
ø34,93 (ø1-3/8)	1,28 (0,0505)
ø41,28 (ø1-5/8)	1,41 (0,0555)

## 9-3. Sélection du kit de jumelage

Sélectionnez les kits de jumelage adaptés (vendus séparément), en consultant les sections ci-dessous.

\* Utilisez un adaptateur, si nécessaire, pour raccorder un tuyau réfrigérant à un tuyau de jumelage d'un diamètre différent.

### 9-3-1. Tuyau d'assemblage à 2 branches

Un tuyau d'assemblage à 2 branches est utilisé pour raccorder plusieurs appareils intérieurs à un port.

(1) Système R2

Capacité totale des appareils intérieurs en ava	Modèle de kit
72 ou en-dessous	CMY-Y102SS-G2
73 à 96	CMY-Y102LS-G2

### 9-3-2. Kit de tuyau d'assemblage

Un kit de tuyau d'assemblage est utilisé pour raccorder un appareil intérieur du modèle P72 ou au-delà.

Modèle d'appareil intérieur	Modèle de kit
P72 à P96	CMY-R160-J1

\* Lors de la connexion des modèles d'appareils intérieurs de P72 à P96 à deux ports, il est nécessaire de régler sur ACTIVÉ le commutateur DIP SW4-6 présent sur le contrôleur BC.

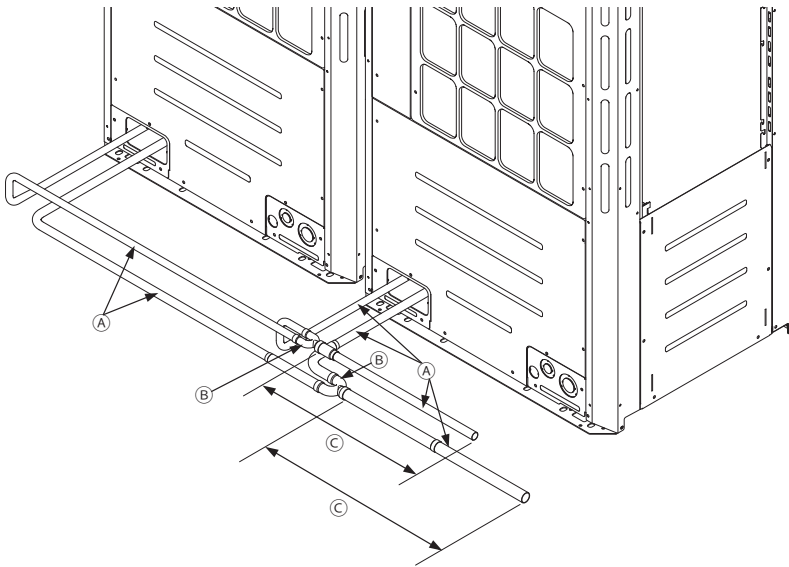
### 9-3-3. Kit de jumelage pour appareil extérieur

Le kit de jumelage d'appareils extérieurs est utilisé pour associer plusieurs appareils extérieurs.

Capacité totale des appareils extérieurs	Modèle de kit
P192 à 240T/YSNU, EP192 à 240 T/YSNU	CMY-R200NCBK
P264 à 336T/YSNU, EP264 à 432 T/YSNU	CMY-R300NCBK

## 9-4. Exemple de raccordement des tuyaux

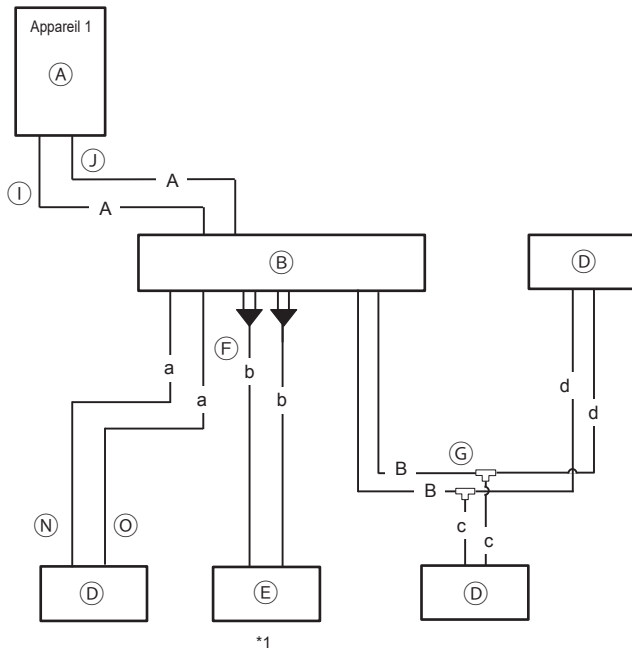
### 9-4-1. Exemple de raccordement de tuyaux entre des appareils extérieurs



- Ⓐ Tuyauterie sur site
- Ⓑ Kit de jumelage
- Ⓒ La section du tuyau avant le tuyau de jumelage doit avoir une section droite minimale de 500 mm (19-11/16 po).

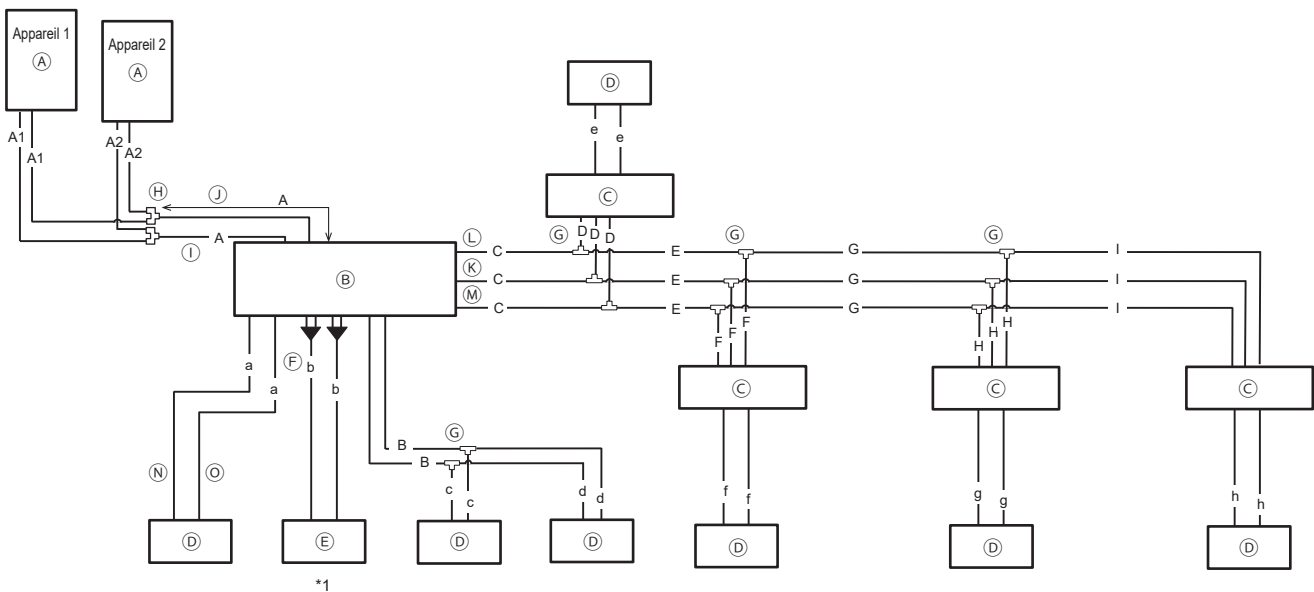
## 9-4-2. Exemple de raccordement de tuyaux entre un appareil extérieur et un contrôleur BC et entre un contrôleur BC et un appareil intérieur (Système R2)

P72 à P168  
EP72 à EP240

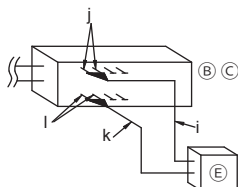


- Ⓐ Appareil extérieur
- Ⓑ Contrôleur BC (principal)
- Ⓒ Contrôleur BC (secondaire)
- Ⓓ Appareil intérieur (Capacité totale des appareils intérieurs en aval : 05 à 30)
- Ⓔ Appareil intérieur (Capacité totale des appareils intérieurs en aval : 72 à 96)
- Ⓕ Kit de tuyau d'assemblage
- Ⓖ Tuyau d'assemblage à 2 branches
- Ⓗ Kit de jumelage pour appareil extérieur
- Ⓘ Tuyau haute pression (A, A1, A2)
- Ⓝ Tuyau basse pression (C, D, E, F, G, H, I)
- Ⓞ Tuyau de liquide (C, D, E, F, G, H, I)
- Ⓟ Tuyau de liquide (a, b, c, d, e, f, g, h)
- Ⓠ Tuyau de gaz (a, b, c, d, e, f, g, h)

P192 à P336  
EP192 à EP432



\*1



\* Pour les exemples de raccordement des tuyaux lors du raccordement de CMB-P\*\*NU-J1, CMB-P\*\*NU-JA1, CMB-P\*\*NU-KA1, ou CMB-P\*\*NU-KB1, veuillez contacter votre revendeur.

Tuyaux A, A<sub>1</sub>, A<sub>2</sub>

[mm (po)]

Modèle d'appareil	Appareil de combinaison		Tuyau A		Tuyau A <sup>*1</sup>		Tuyau A <sub>2</sub> <sup>*1</sup>	
	Appareil 1	Appareil 2	Haute pression	Basse pression	Haute pression	Basse pression	Haute pression	Basse pression
P72T/YNU	-	-	ø15,88 (5/8)	ø19,05 (3/4)	-	-	-	-
P96T/YNU	-	-	ø19,05 (3/4)	ø22,2 (7/8)	-	-	-	-
P120T/YNU	-	-	ø19,05 (3/4)	ø28,58 (1-1/8)	-	-	-	-
P144T/YNU	-	-	ø22,2 (7/8)	ø28,58 (1-1/8)	-	-	-	-
P168T/YNU	-	-	ø22,2 (7/8)	ø28,58 (1-1/8)	-	-	-	-
P192T/YSNU	P96	P96	ø22,2 (7/8)	ø28,58 (1-1/8)	ø19,05 (3/4)	ø22,2 (7/8)	ø19,05 (3/4)	ø22,2 (7/8)
P216T/YSNU	P120	P96	ø22,2 (7/8) <sup>*2</sup>	ø28,58 (1-1/8)	ø19,05 (3/4)	ø28,58 (1-1/8)	ø19,05 (3/4)	ø22,2 (7/8)
P240T/YSNU	P120	P120	ø22,2 (7/8) <sup>*2</sup>	ø34,93 (1-3/8)	ø19,05 (3/4)	ø28,58 (1-1/8)	ø19,05 (3/4)	ø28,58 (1-1/8)
P264T/YSNU	P144	P120	ø28,58 (1-1/8)	ø34,93 (1-3/8)	ø22,2 (7/8)	ø28,58 (1-1/8)	ø19,05 (3/4)	ø28,58 (1-1/8)
P288T/YSNU	P144	P144	ø28,58 (1-1/8)	ø34,93 (1-3/8)	ø22,2 (7/8)	ø28,58 (1-1/8)	ø22,2 (7/8)	ø28,58 (1-1/8)
P312T/YSNU	P168	P144	ø28,58 (1-1/8)	ø41,28 (1-5/8)	ø22,2 (7/8)	ø28,58 (1-1/8)	ø22,2 (7/8)	ø28,58 (1-1/8)
P336T/YSNU	P168	P168	ø28,58 (1-1/8)	ø41,28 (1-5/8)	ø22,2 (7/8)	ø28,58 (1-1/8)	ø22,2 (7/8)	ø28,58 (1-1/8)

Tuyaux A, A<sub>1</sub>, A<sub>2</sub>

[mm (po)]

Modèle d'appareil	Appareil de combinaison		Tuyau A		Tuyau A <sup>*1</sup>		Tuyau A <sub>2</sub> <sup>*1</sup>	
	Appareil 1	Appareil 2	Haute pression	Basse pression	Haute pression	Basse pression	Haute pression	Basse pression
EP72T/YNU	-	-	ø15,88 (5/8)	ø19,05 (3/4)	-	-	-	-
EP96T/YNU	-	-	ø19,05 (3/4)	ø22,2 (7/8)	-	-	-	-
EP120T/YNU	-	-	ø19,05 (3/4)	ø28,58 (1-1/8)	-	-	-	-
EP144T/YNU	-	-	ø22,2 (7/8)	ø28,58 (1-1/8)	-	-	-	-
EP168T/YNU	-	-	ø22,2 (7/8)	ø28,58 (1-1/8)	-	-	-	-
EP192T/YNU	-	-	ø22,2 (7/8)	ø28,58 (1-1/8)	-	-	-	-
EP192T/YSNU	EP96	EP96	ø22,2 (7/8)	ø28,58 (1-1/8)	ø19,05 (3/4)	ø22,2 (7/8)	ø19,05 (3/4)	ø22,2 (7/8)
EP216T/YNU	-	-	ø22,2 (7/8) <sup>*2</sup>	ø28,58 (1-1/8)	-	-	-	-
EP216T/YSNU	EP120	EP96	ø22,2 (7/8) <sup>*2</sup>	ø28,58 (1-1/8)	ø19,05 (3/4)	ø28,58 (1-1/8)	ø19,05 (3/4)	ø22,2 (7/8)
EP240T/YNU	-	-	ø22,2 (7/8) <sup>*2</sup>	ø34,93 (1-3/8)	-	-	-	-
EP240T/YSNU	EP120	EP120	ø22,2 (7/8) <sup>*2</sup>	ø34,93 (1-3/8)	ø19,05 (3/4)	ø28,58 (1-1/8)	ø19,05 (3/4)	ø28,58 (1-1/8)
EP264T/YSNU	EP144	EP120	ø28,58 (1-1/8)	ø34,93 (1-3/8)	ø22,2 (7/8)	ø28,58 (1-1/8)	ø19,05 (3/4)	ø28,58 (1-1/8)
EP288T/YSNU	EP144	EP144	ø28,58 (1-1/8)	ø34,93 (1-3/8)	ø22,2 (7/8)	ø28,58 (1-1/8)	ø22,2 (7/8)	ø28,58 (1-1/8)
EP312T/YSNU	EP168	EP144	ø28,58 (1-1/8)	ø41,28 (1-5/8)	ø22,2 (7/8)	ø28,58 (1-1/8)	ø22,2 (7/8)	ø28,58 (1-1/8)
EP336T/YSNU	EP168	EP168	ø28,58 (1-1/8)	ø41,28 (1-5/8)	ø22,2 (7/8)	ø28,58 (1-1/8)	ø22,2 (7/8)	ø28,58 (1-1/8)
EP384T/YSNU	EP192	EP192	ø28,58 (1-1/8)	ø41,28 (1-5/8)	ø22,2 (7/8)	ø28,58 (1-1/8)	ø22,2 (7/8)	ø28,58 (1-1/8)
EP432T/YSNU	EP216	EP216	ø28,58 (1-1/8)	ø41,28 (1-5/8)	ø22,2 (7/8)	ø28,58 (1-1/8)	ø22,2 (7/8)	ø28,58 (1-1/8)

\*1 Si les appareils de combinaison 1 et 2 sont dans un ordre différent à celui indiqué dans le tableau, assurez-vous d'utiliser les tuyaux de taille adaptée à la situation.

\*2 Si la longueur du « tuyau haute pression A » est supérieure à 65 m (213 pieds), il faut utiliser des tuyaux de ø28,58 (ø1-1/8) pour tous les tuyaux plus longs de 65 m (213 pieds).

Tuyau B

[mm (po)]

Capacité totale des appareils intérieurs	Tuyau	
	Liquide	Gaz
30 ou en-dessous	ø9,52 (ø3/8)	ø15,88 (ø5/8)

Tuyaux C, D, E, F, G, H, I (\*)

[mm (po)]

Ombre total de modèles d'appareils intérieurs en aval	Tuyau		
	Haute pression	Basse pression	Liquide
72 ou en-dessous	ø15,88 (ø5/8)	ø19,05 (ø3/4)	ø9,52 (ø3/8)
73 à 108	ø19,05 (ø3/4)	ø22,2 (ø7/8)	ø9,52 (ø3/8)
109 à 126	ø19,05 (ø3/4)	ø28,58 (ø1-1/8)	ø12,7 (ø1/2)
127 à 144	ø22,2 (ø7/8)	ø28,58 (ø1-1/8)	ø12,7 (ø1/2)
145 à 216	ø22,2 (ø7/8)	ø28,58 (ø1-1/8)	ø15,88 (ø5/8)
217 à 234	ø28,58 (ø1-1/8)	ø28,58 (ø1-1/8)	ø15,88 (ø5/8)
235 à 288	ø28,58 (ø1-1/8)	ø34,93 (ø1-3/8)	ø19,05 (ø3/4)
289 à 360	ø28,58 (ø1-1/8)	ø41,28 (ø1-5/8)	ø19,05 (ø3/4)
361 ou au-dessous	ø34,93 (ø1-3/8)	ø41,28 (ø1-5/8)	ø19,05 (ø3/4)

Tuyaux a, b, c, d, e, f, g, h (\*)

[mm (po)]

Indice de capacité de l'appareil intérieur	Tuyau	
	Liquide	Gaz
05, 06, 08, 12, 15, 18	ø6,35 (ø1/4)	ø12,7 (ø1/2)
24, 27, 30, 36, 48, 54	ø9,52 (ø3/8)	ø15,88 (ø5/8)
72	ø9,52 (ø3/8)	ø19,05 (ø3/4)
96	ø9,52 (ø3/8)	ø22,2 (ø7/8)

Tuyaux i, j, k, l (\*)

[mm (po)]

Indice de capacité de l'appareil intérieur	Tuyau de liquide		Tuyau de gaz	
	i	j	k	l
36	ø9,52 (ø3/8)	ø9,52 (ø3/8)	ø15,88 (ø5/8)	ø15,88 (ø5/8)
48	ø9,52 (ø3/8)	ø9,52 (ø3/8)	ø15,88 (ø5/8)	ø15,88 (ø5/8)
54	ø9,52 (ø3/8)	ø9,52 (ø3/8)	ø15,88 (ø5/8)	ø15,88 (ø5/8)
72	ø9,52 (ø3/8)	ø9,52 (ø3/8)	ø19,05 (ø3/4)	ø15,88 (ø5/8)
96	ø9,52 (ø3/8)	ø9,52 (ø3/8)	ø22,2 (ø7/8)	ø15,88 (ø5/8)

\* Si la longueur du tuyau haute pression ou du tuyau de liquide est supérieure à la restriction, il faut utiliser un tuyau d'une taille plus grande. Pour plus de détails, se reporter au manuel d'installation du contrôleur BC.



## 9-5. Raccordements de tuyauterie et fonctionnement des soupapes

### **AVERTISSEMENT**

Avant de chauffer les sections brasées, retirez le gaz et l'huile retenus dans les tuyaux.

- À défaut, ceci peut provoquer un incendie, causant des blessures graves.

**Aérez la pièce pendant la maintenance de l'appareil.**

- Si le réfrigérant fuit, un manque d'oxygène peut se produire. Si le réfrigérant ayant fui entre en contact avec une source de chaleur, un gaz toxique sera émis.

### **ATTENTION**

**Stockez les tuyaux à l'intérieur et conservez les deux extrémités des tuyaux hermétiquement fermées jusqu'au dernier moment avant de réaliser un raccordement par torchage ou un brasage. (Stockez les coudes et autres joints dans des sacs en plastique.)**

- Si de la poussière, des saletés ou de l'eau entrent dans les lignes réfrigérantes, l'huile réfrigérante se détériorera et le compresseur fonctionnera mal.

**Maintenez les soupapes de service fermées jusqu'à ce que la charge de réfrigérant soit terminée.**

- À défaut, ceci peut endommager l'appareil.

**Placez une serviette humide sur les soupapes de service avant de braser les tuyaux pour empêcher la température des soupapes de dépasser 120 °C (248 °F).**

- À défaut, ceci peut endommager l'équipement.

**Empêchez la flamme d'entrer en contact avec les câbles et la tôle lors du brasage des tuyaux.**

- À défaut, ceci peut provoquer une destruction par le feu ou des dysfonctionnements.

**Brasez les tuyaux avec une purge d'azote pour éviter l'oxydation.**

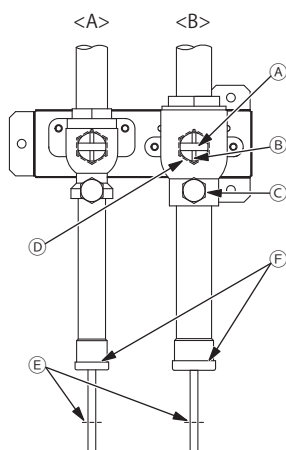
- Un flux oxydé à l'intérieur des tuyaux réfrigérants détériorera l'huile réfrigérante et entraînera le dysfonctionnement du compresseur.

### 9-5-1. Retirez les tuyaux de raccordement pincés

L'appareil est livré avec les tuyaux de raccordement pincés fixés aux soupapes de service côté haute pression et basse pression pour empêcher toute fuite de gaz.

Suivez les étapes ① à ③ pour retirer les tuyaux de raccordement pincés avant de raccorder les tuyaux réfrigérants à l'appareil extérieur.

- ① Vérifiez que les valves de service sont complètement fermées (tournées à fond dans le sens des aiguilles d'une montre).
- ② Retirez le gaz dans les tuyaux de raccordement pincés et purgez toute l'huile réfrigérante. (Voir ⑤ ci-dessous.)
- ③ Retirez les tuyaux de raccordement pincés. (Voir ⑥ ci-dessous.)



<A> Soupape de service du réfrigérant (haute pression/brasé)

<B> Soupape de service du réfrigérant (basse pression/brasé)

(A) Arbre avec soupape

L'appareil est livré avec la soupape fermée. Maintenez la soupape fermée lors du raccordement des tuyaux ou de la vidange du système. Ouvrez la soupape après finalisation de ces travaux.

Tournez l'arbre dans le sens inverse des aiguilles d'une montre aussi loin que possible (90°) pour ouvrir la soupape, et dans le sens des aiguilles d'une montre pour la fermer.

(B) Goupille de butée

Empêche l'arbre de tourner de 90° ou plus.

(C) Port de service

Par les ports de service, vous pouvez charger le réfrigérant, retirer le gaz dans les tuyaux de raccordement pincés ou purger le système.

(D) Capuchon

Retirez le capuchon avant de tourner l'arbre. Remettez le capuchon après l'achèvement de tous les travaux.

(E) Section coupée du tuyau de raccordement pincé

(F) Section brasée du tuyau de raccordement pincé

### 9-5-2. Tuyaux de raccordement

• Le tuyau réfrigérant provenant de l'appareil extérieur est branché à l'extrémité du tuyau, et chaque branche est ensuite raccordée à un appareil intérieur.

		Méthode de raccordement
Appareil intérieur		Brasé ou torché
Appareil extérieur	Tuyau haute pression	Brasé
	Tuyau basse pression	Brasé
Section branchée		Brasé

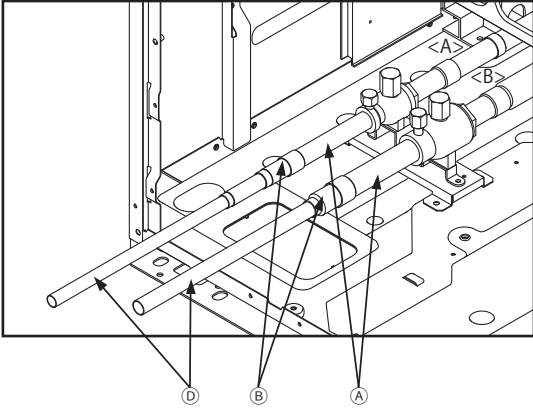
- Lors du raccordement des tuyaux, assurez-vous que les soupapes de service sont complètement fermées.
- Les tuyaux disponibles dans le commerce contiennent souvent de la poussière ou des débris. Nettoyez-les toujours à l'aide d'un jet de gaz inerte sec.
- Veillez à empêcher la pénétration de poussière, d'eau ou d'autres contaminants dans les tuyaux pendant l'installation.

- Réduisez autant que possible le nombre de sections courbes, et utilisez des rayons de cintrage aussi grands que possible.
- N'utilisez pas les agents d'antioxydation disponibles dans le commerce car ils peuvent provoquer la corrosion des tuyaux et dégrader l'huile réfrigérante. Veuillez contacter Mitsubishi Electric pour plus de détails.
- Assurez-vous que les tuyaux ne sont pas en contact les uns avec les autres, avec les panneaux de l'appareil ou avec les plaques de base.
- Consultez le manuel d'utilisation du kit de jumelage pour savoir comment installer le kit de jumelage.

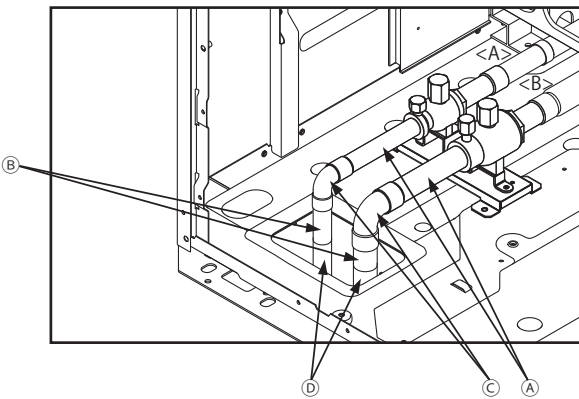
<Exemples de raccordement de la tuyauterie du réfrigérant>

- Obtenir des joints et des coudes sur site le cas échéant conformément au diamètre du tuyau, et connecter les tuyaux comme montré dans les figures ci-dessous.

(1) Lors de l'acheminement des tuyaux par l'avant de l'appareil



(2) Lors de l'acheminement des tuyaux par la partie inférieure de l'appareil



- <A> Côté haute pression
- <B> Côté basse pression
- Ⓐ Tuyauterie de valve de frigorigène
- Ⓑ Réducteur etc.
- Ⓒ Coude
- Ⓓ Tuyauterie sur site

<Référence> Taille des tuyaux réfrigérants

	Tuyauterie sur site [mm (po)]		Tuyauterie avec soupape de service [mm (po)]	
	Côté haute pression	Côté basse pression	Côté haute pression	Côté basse pression
P72	ø15,88 (ø5/8)	ø19,05 (ø3/4)	ø22,2 (ø7/8)	ø28,58 (ø1-1/8)
P96	ø19,05 (ø3/4)	ø22,2 (ø7/8)	ø28,58 (ø1-1/8)	
P120		ø28,58 (ø1-1/8)		
P144	ø22,2 (ø7/8)			
P168				

	Tuyauterie sur site [mm (po)]		Tuyauterie avec soupape de service [mm (po)]	
	Côté haute pression	Côté basse pression	Côté haute pression	Côté basse pression
EP72	ø15,88 (ø5/8)	ø19,05 (ø3/4)	ø22,2 (ø7/8)	ø28,58 (ø1-1/8)
EP96	ø19,05 (ø3/4)	ø22,2 (ø7/8)	ø28,58 (ø1-1/8)	
EP120		ø28,58 (ø1-1/8)		
EP144	ø22,2 (ø7/8)			
EP168			ø34,93 (ø1-3/8)	
EP192	ø22,2 (ø7/8)			
EP216		ø34,93 (ø1-3/8)		
EP240	ø34,93 (ø1-3/8)			

- Lors de l'extension de la tuyauterie sur site, respectez les exigences de profondeur d'insertion minimale comme suit.

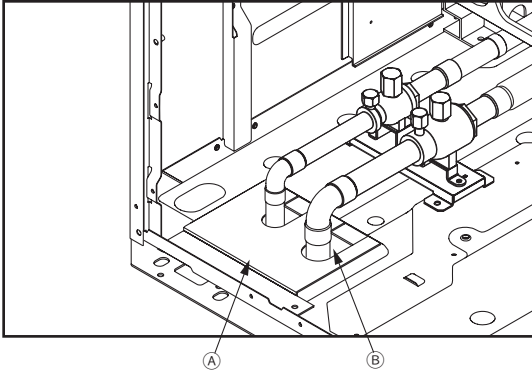
Taille du tuyau [mm (po)]	Profondeur d'insertion minimale [mm (po)]
ø5 (ø1/4) ou plus, inférieure à ø8 (ø3/8)	6 (1/4)
ø8 (ø3/8) ou plus, inférieure à ø12 (ø1/2)	7 (5/16)
ø12 (ø1/2) ou plus, inférieure à ø16 (ø11/16)	8 (3/8)
ø16 (ø11/16) ou plus, inférieure à ø25 (ø1)	10 (7/16)
ø25 (ø1) ou plus, inférieure à ø35 (ø1-7/16)	12 (1/2)
ø35 (ø1-7/16) ou plus, inférieure à ø45 (ø1-13/16)	14 (9/16)

### 9-5-3. Fermez hermétiquement les ouvertures autour des tuyaux

#### **! AVERTISSEMENT**

Fermez hermétiquement toutes les ouvertures autour des tuyaux et des câbles pour empêcher les petits animaux, l'eau de pluie ou la neige d'entrer.

- À défaut, ceci peut provoquer une fuite de courant, une décharge électrique ou des dommages à l'appareil.



- (A) Exemple de matériaux de fermeture (non fournis)
- (B) Remplissez les ouvertures

### 9-6. Test d'étanchéité à l'air

#### **! AVERTISSEMENT**

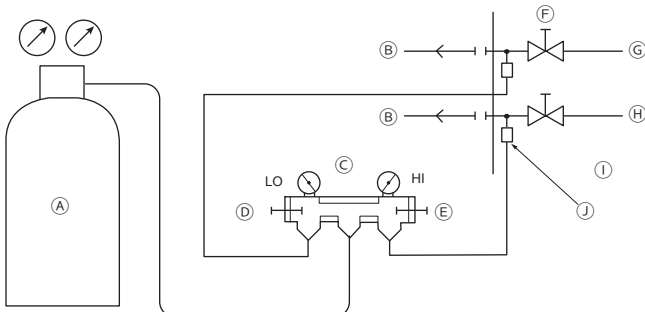
N'utilisez pas d'oxygène, de gaz inflammable ou un réfrigérant contenant du chlore pour tester l'étanchéité à l'air.

- Ceci peut provoquer une explosion. Le chlore détériorera l'huile réfrigérante.

Une fois que l'installation du tuyau réfrigérant est effectuée, contrôlez les fuites du système en menant un test d'étanchéité à l'air. En cas de fuite, la composition du réfrigérant changera et les performances chuteront.

<Procédures de test d'étanchéité à l'air>

- ① Assurez-vous que les soupapes de service sont fermées.
- ② Ajoutez de la pression aux tuyaux réfrigérants par les ports de service des tuyaux de haute et de basse pression.
  - \* Pressurisez à la pression de conception (4,15 MPa) avec de l'azote gazeux.
- ③ Si la pression se maintient pendant une journée et ne diminue pas, les tuyaux ont réussi le test et il n'y a pas de fuites. Si la pression diminue, il y a une fuite. Recherchez la source de la fuite en pulvérisant un agent de bullage (par exemple du Gupoflex) sur les sections torchées ou brasées.
- ④ Enlevez l'agent de bullage.



- (A) Azote
- (B) À l'appareil intérieur
- (C) Manomètre de pression
- (D) Poignée basse pression
- (E) Poignée haute pression
- (F) Valve de service
- (G) Tuyau basse pression
- (H) Tuyau haute pression
- (I) Appareil extérieur
- (J) Port de service

## 9-7. Isolation thermique pour les tuyaux

### ATTENTION

#### Isoler les tuyaux pour empêcher la condensation.

- La condensation peut s'accumuler et s'égoutter de l'appareil sur le plafond ou le sol.

Isoler les tuyaux de haute et de basse pression, et les tuyaux de liquide et de gaz séparément avec des matériaux d'isolation en mousse de polyéthylène. Une isolation incorrecte peut entraîner un égouttement de la condensation. Les tuyaux dans le plafond sont particulièrement vulnérables à la condensation et nécessitent une isolation correcte.

#### 9-7-1. Matériau d'isolation

- Vérifiez que les matériaux d'isolation respectent les normes dans la table ci-dessous.

Entre un appareil extérieur et un contrôleur BC

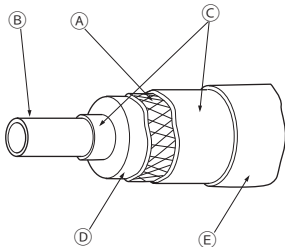
	Tuyau haute pression	Tuyau basse pression
Épaisseur [mm (po)]	Mini 10 (7/16)	Mini 20 (13/16)
Résistance à la chaleur	Mini 120 °C (248 °F)	

Entre un contrôleur BC et un appareil intérieur (Système R2)

	Taille du tuyau [mm (po)]	
	ø6,35 (ø1/4)–ø25,4 (ø1)	ø28,58 (ø1-1/8)–ø38,1 (ø1-1/2)
Épaisseur [mm (po)]	Mini 10 (7/16)	Mini 15 (5/8)
Résistance à la chaleur	Mini 120 °C (248 °F)	

\* Il peut être nécessaire d'augmenter l'épaisseur de l'isolation dans des conditions de températures/d'humidité élevées.

\* Même si les spécifications sont définies par votre client, les normes indiquées dans la table doivent être respectées.

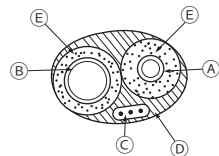
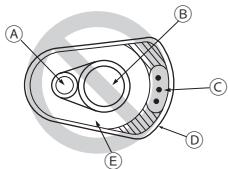


- (A) Fil d'acier
- (B) Tuyau
- (C) Mastic d'asphalte ou asphalte
- (D) Matériau d'isolation A
- (E) Revêtement externe B

Matériau d'isolation A	Fibre de verre + fil d'acier	
	Adhésif + mousse de polyéthylène anti-calorique + ruban adhésif	
Revêtement externe B	Intérieur	Bande de vinyle
	Sous le sol et exposé	Tissu en chanvre imperméable + Asphalte bronze
	Extérieur	Tissu en chanvre imperméable + Plaque zinc + Peinture à base d'huile

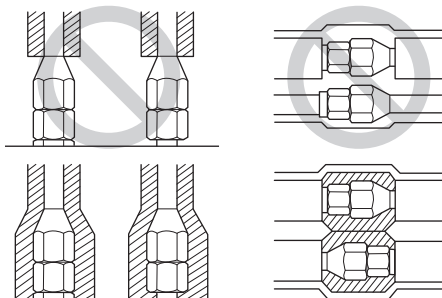
\* Si un couvercle en polyéthylène est utilisé comme une couverture extérieure, la toiture en asphalte n'est pas nécessaire.

- N'isolez pas les câbles électriques.



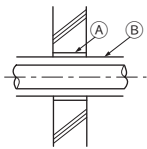
- (A) Tuyau haute pression ou tuyau de liquide
- (B) Tuyau basse pression ou tuyau de gaz
- (C) Fil électrique
- (D) Bande de finition
- (E) Matériau d'isolation

- Assurez-vous que les raccordements des tuyaux tout au long depuis l'appareil intérieur sont correctement isolés.

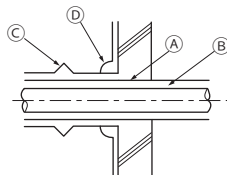


## 9-7-2. Isolation pour la section du tuyau qui passe par un mur

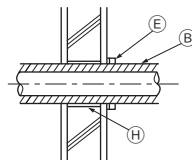
(1) Mur intérieur (caché)



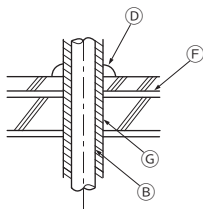
(2) Mur extérieur



(3) Mur extérieur (exposé)



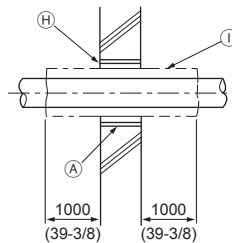
(4) Sol (imperméable)



(5) Arbre tubulaire sur toiture



(6) Protéger les parties pénétrantes dans une zone de sécurité incendie ou dans une paroi de séparation



[mm (po)]

- (A) Manchon
- (B) Matériau d'isolation
- (C) Calorifuge
- (D) Matériau de calfeutrage
- (E) Bande
- (F) Couche imperméable
- (G) Manchon avec une bride
- (H) Calfeutrez avec un matériau ininflammable tel que du mortier.
- (I) Matériau d'isolation ininflammable

• Lors du calfeutrage des interstices avec du mortier, couvrez la section du tuyau qui passe dans le mur avec une tôle pour empêcher le matériau d'isolation de s'affaisser. Dans cette section, utilisez des matériaux d'isolation et de couverture ininflammables. (Ne pas utiliser de ruban en vinyle.)

## 9-8. Purge du système

### **AVERTISSEMENT**

**Ne purgez pas l'air à l'aide du réfrigérant. Utilisez une pompe à vide pour purger le système.**

- Le gaz résiduel dans les lignes réfrigérantes causera l'éclatement des tuyaux ou une explosion.

### **ATTENTION**

**Utilisez une pompe à vide avec une soupape anti-retour.**

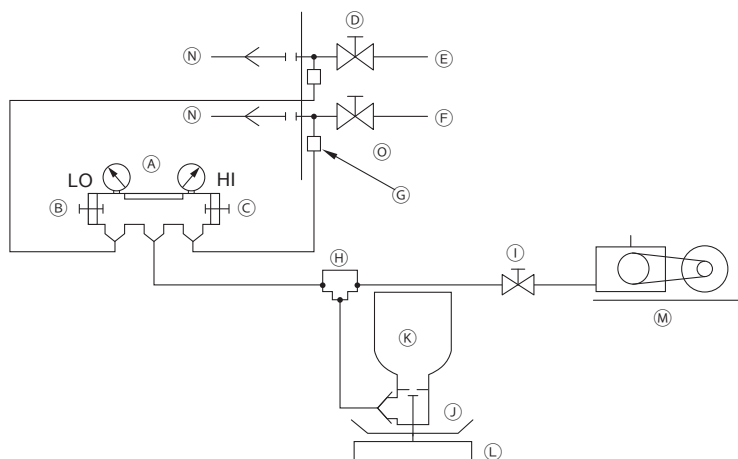
- Si l'huile de la pompe à vide reflue dans les lignes réfrigérantes, l'huile réfrigérante peut se détériorer et le compresseur peut mal fonctionner.

<Procédures de purge>

- ① Purgez le système par les deux ports de service, à l'aide d'une pompe à vide avec les soupapes de service fermées.
- ② Une fois que la dépression a atteint 650 Pa (0,0943 psi/5 Torr), poursuivez la purge pendant au moins une heure.
- ③ Arrêtez la pompe à vide et laissez-la en place pendant une heure.
- ④ Vérifiez que le vide n'a pas augmenté de plus de 130 Pa (0,01886 psi/1 Torr).
- ⑤ Si le vide a augmenté de plus de 130 Pa, une infiltration d'eau est suspectée. Pressurisez le système avec de l'azote gazeux sec jusqu'à 0,05 MPa (7,25 psi/375 Torr). Répétez les étapes ① à ⑤ jusqu'à ce que le vide ait augmenté de 130 Pa ou moins. Si les résultats persistent, effectuez la « Triple purge » ci-dessous.

<Triple purge>

- ① Purgez le système à 533 Pa (0,07729 psi/4 Torr) par les deux ports de service, à l'aide d'une pompe à vide.
- ② Pressurisez le système avec de l'azote gazeux sec jusqu'à 0 Pa (0 psi/0 Torr) à partir de port de service de purge.
- ③ Purgez le système à 200 Pa (0,029 psi/1,5 Torr) par le port de service d'aspiration, à l'aide d'une pompe à vide.
- ④ Pressurisez le système avec de l'azote gazeux sec jusqu'à 0 Pa (0 psi/0 Torr) à partir de port de service de purge.
- ⑤ Purgez le système par les deux ports de service, à l'aide d'une pompe à vide.
- ⑥ Une fois que le vide atteint 66,7 Pa (0,09672 psi/5 Torr), arrêtez la pompe à vide et laissez-la en place pendant une heure. Un vide de 66,7 Pa doit être maintenu pendant au moins une heure.
- ⑦ Vérifiez que le vide n'a pas augmenté pendant au moins 30 minutes.



- (A) Manomètre de pression
- (B) Poignée basse pression
- (C) Poignée haute pression
- (D) Valve de service
- (E) Tuyau basse pression
- (F) Tuyau haute pression
- (G) Port de service
- (H) Joint à trois voies
- (I) Soupape (pompe à vide)
- (J) Soupape (pour charger le réfrigérant)
- (K) Réservoir de réfrigérant
- (L) Échelle
- (M) Pompe à vide
- (N) À l'appareil intérieur
- (O) Appareil extérieur

- Utilisez une échelle pouvant mesurer jusqu'à 0,1 kg (0,1 oz).
- Manomètre à vide recommandé : ROBINAIR 14830A Thermistor manomètre à vide ou microvacuomètre
- N'utilisez pas un manomètre de pression pour mesurer la pression sous vide.
- Utilisez une pompe à vide capable d'atteindre un vide de 65 Pa (abs) en cinq minutes de fonctionnement.

## 9-9. Charge supplémentaire de frigorigène

### ATTENTION

#### Charger du réfrigérant à l'état liquide.

- Charger du réfrigérant à l'état gazeux modifiera la composition du réfrigérant et conduira à une baisse des performances.

#### N'utilisez pas un cylindre de chargement pour charger du réfrigérant.

- L'utilisation d'un cylindre de chargement peut modifier la composition du réfrigérant et conduire à une baisse des performances.

La quantité de réfrigérant indiquée dans la table ci-dessous est chargée en usine dans les appareils extérieurs. La quantité nécessaire pour la tuyauterie étendue n'est pas comprise et doit être ajoutée sur site.

Modèle d'appareil	Quantité chargée en usine [kg (oz)]
P72	5,2 (184)
P96	8,0 (283)
P120	8,0 (283)
P144	10,8 (381)
P168	10,8 (381)

Modèle d'appareil	Quantité chargée en usine [kg (oz)]
EP72	5,2 (184)
EP96	8,0 (283)
EP120	8,0 (283)
EP144	10,8 (381)
EP168	10,8 (381)
EP192	11,8 (416)
EP216	11,8 (416)
EP240	11,8 (416)

La quantité de réfrigérant indiquée dans la table ci-dessous est la quantité maximale à ajouter sur site.

Modèle d'appareil	Quantité maximale à ajouter [kg (oz)]
P72T/YNU	28,3 (999)
P96T/YNU	33,5 (1182)
P120T/YNU	39,5 (1394)
P144T/YNU	38,5 (1359)
P168T/YNU	39,5 (1394)
P192T/YSNU	58 (2046)
P216T/YSNU	74 (2611)
P240T/YSNU	74 (2611)
P264T/YSNU	71,2 (2512)
P288T/YSNU	68,4 (2413)
P312T/YSNU	68,4 (2413)
P336T/YSNU	68,4 (2413)

Modèle d'appareil	Quantité maximale à ajouter [kg (oz)]
EP72T/YNU	28,3 (999)
EP96T/YNU	33,5 (1182)
EP120T/YNU	39,5 (1394)
EP144T/YNU	38,5 (1359)
EP168T/YNU	39,5 (1394)
EP192T/YNU	38,5 (1359)
EP192T/YSNU	58 (2046)
EP216T/YNU	38,5 (1359)
EP216T/YSNU	74 (2611)
EP240T/YNU	38,5 (1359)
EP240T/YSNU	74 (2611)
EP264T/YSNU	71,2 (2512)
EP288T/YSNU	68,4 (2413)
EP312T/YSNU	68,4 (2413)
EP336T/YSNU	68,4 (2413)
EP384T/YSNU	66,4 (2343)
EP432T/YSNU	66,4 (2343)

La quantité de réfrigérant indiquée dans le tableau ci-dessous correspond à la quantité totale maximale présente dans le système.

Modèle d'appareil	Quantité totale maximale présente dans le système [kg (oz)]
P72T/YNU	33,5 (1182)
P96T/YNU	41,5 (1464)
P120T/YNU	47,5 (1676)
P144T/YNU	49,3 (1739)
P168T/YNU	50,3 (1775)
P192T/YSNU	74 (2611)
P216T/YSNU	90 (3175)
P240T/YSNU	90 (3175)
P264T/YSNU	90 (3175)
P288T/YSNU	90 (3175)
P312T/YSNU	90 (3175)
P336T/YSNU	90 (3175)

Modèle d'appareil	Quantité totale maximale présente dans le système [kg (oz)]
EP72T/YNU	33,5 (1182)
EP96T/YNU	41,5 (1464)
EP120T/YNU	47,5 (1676)
EP144T/YNU	49,3 (1739)
EP168T/YNU	50,3 (1775)
EP192T/YNU	50,3 (1775)
EP192T/YSNU	74 (2611)
EP216T/YNU	50,3 (1775)
EP216T/YSNU	90 (3175)
EP240T/YNU	50,3 (1775)
EP240T/YSNU	90 (3175)
EP264T/YSNU	90 (3175)
EP288T/YSNU	90 (3175)
EP312T/YSNU	90 (3175)
EP336T/YSNU	90 (3175)
EP384T/YSNU	90 (3175)
EP432T/YSNU	90 (3175)

Une surcharge et une sous-charge de réfrigérant causeront des problèmes. Chargez le système avec la quantité appropriée de réfrigérant. Inscrivez la quantité de réfrigérant ajoutée sur l'étiquette fixée au panneau du boîtier de commande pour un entretien ultérieur.

### 9-9-1. Calcul de la quantité de réfrigérant supplémentaire

- La quantité de réfrigérant à ajouter dépend de la taille et de la longueur totale de la tuyauterie haute pression et de la tuyauterie de liquide.
- Calculez la quantité de réfrigérant à charger en fonction de la formule ci-dessous.
- Arrondissez le résultat du calcul au 0,1 kg (0,1 oz) le plus proche.

(1) Unités « m » et « kg » (Dans un système R2)

<Formule>

- Si la longueur de la tuyauterie de l'appareil extérieur à l'appareil intérieur le plus éloigné est inférieure ou égale à 30,5 m (100 pieds)

Quantité de charge supplémentaire (kg)	=	Tuyau haute pression ø28,58 longueur totale × 0,36 (kg/m)	+	Tuyau haute pression ø22,2 longueur totale × 0,23 (kg/m)	+	Tuyau haute pression ø19,05 longueur totale × 0,16 (kg/m)	+	Tuyau haute pression ø15,88 longueur totale × 0,11 (kg/m)																																		
	+	Tuyau de liquide ø15,88 longueur totale × 0,2 (kg/m)	+	Tuyau de liquide ø12,7 longueur totale × 0,12 (kg/m)	+	Tuyau de liquide ø9,52 longueur totale × 0,06 (kg/m)	+	Tuyau de liquide ø6,35 longueur totale × 0,024 (kg/m)																																		
	+	<table border="1"> <thead> <tr> <th>Contrôleur BC principal et secondaire</th> <th>Quantité (kg/appareil)</th> </tr> </thead> <tbody> <tr><td>Type J</td><td>1,5</td></tr> <tr><td>Type JA</td><td>3,0</td></tr> <tr><td>Type KA</td><td>4,7</td></tr> <tr><td>Type KB</td><td>0,4</td></tr> </tbody> </table>		Contrôleur BC principal et secondaire	Quantité (kg/appareil)	Type J	1,5	Type JA	3,0	Type KA	4,7	Type KB	0,4	+	<table border="1"> <thead> <tr> <th>Capacité totale des appareils intérieurs raccordés</th> <th>Quantité (kg) (à ajouter pour l'appareil intérieur)</th> </tr> </thead> <tbody> <tr><td>27 ou en-dessous</td><td>2,0</td></tr> <tr><td>28 à 54</td><td>2,5</td></tr> <tr><td>55 à 126</td><td>3,0</td></tr> <tr><td>127 à 144</td><td>3,5</td></tr> <tr><td>145 à 180</td><td>4,5</td></tr> <tr><td>181 à 234</td><td>5,0</td></tr> <tr><td>235 à 273</td><td>6,0</td></tr> <tr><td>274 à 307</td><td>8,0</td></tr> <tr><td>308 à 342</td><td>9,0</td></tr> <tr><td>343 à 411</td><td>10,0</td></tr> <tr><td>412 à 450</td><td>12,0</td></tr> <tr><td>451 ou au-dessus</td><td>14,0</td></tr> </tbody> </table>		Capacité totale des appareils intérieurs raccordés	Quantité (kg) (à ajouter pour l'appareil intérieur)	27 ou en-dessous	2,0	28 à 54	2,5	55 à 126	3,0	127 à 144	3,5	145 à 180	4,5	181 à 234	5,0	235 à 273	6,0	274 à 307	8,0	308 à 342	9,0	343 à 411	10,0	412 à 450	12,0	451 ou au-dessus	14,0
Contrôleur BC principal et secondaire	Quantité (kg/appareil)																																									
Type J	1,5																																									
Type JA	3,0																																									
Type KA	4,7																																									
Type KB	0,4																																									
Capacité totale des appareils intérieurs raccordés	Quantité (kg) (à ajouter pour l'appareil intérieur)																																									
27 ou en-dessous	2,0																																									
28 à 54	2,5																																									
55 à 126	3,0																																									
127 à 144	3,5																																									
145 à 180	4,5																																									
181 à 234	5,0																																									
235 à 273	6,0																																									
274 à 307	8,0																																									
308 à 342	9,0																																									
343 à 411	10,0																																									
412 à 450	12,0																																									
451 ou au-dessus	14,0																																									

Capacité totale des appareils extérieurs		Quantité (kg) (à ajouter pour l'appareil extérieur)
Appareil unique	72	0
	96	0
	120	0
	144	0
	168	0
	192	4,4
	216	4,4
Combinaison d'appareils	240	4,4
	192	0
	216	0
	240	0
	264	0
	288	0
	312	0
Combinaison d'appareils	336	0
	384	8,8
	432	8,8

(A)

Capacité totale des appareils extérieurs		Quantité (kg)
Appareil unique	72	1,5
	96	1,5
	120	3,0
	144	2,5
	168	4,0
	192	3,5
	216	4,0
Combinaison d'appareils	240	4,5
	192	4,0
	216	4,5
	240	5,0
	264	2,5
	288	1,5
	312	2,0
Combinaison d'appareils	336	2,0
	384	0
	432	0

\* Si tous les modèles d'appareils intérieurs raccordés correspondent au cas 1 ou 2, n'ajoutez PAS le réfrigérant indiqué dans le tableau (A).  
À la place, ajoutez la quantité suivante de réfrigérant.

Cas 1 : PLFY-EP06/18/36NEMU-E\*\*

→ Ajoutez 0,67 kg par PLFY-EP06/18/36NEMU-E\*\*.

Cas 2 : PEFY-P06/24/36NMAU-E\*\*

→ Ajoutez 0,55 kg par PEFY-P06/24/36NMAU-E\*\*.

• Si la longueur de la tuyauterie de l'appareil extérieur à l'appareil intérieur le plus éloigné est supérieure à 30,5 m (100 pieds)

Quantité de charge supplémentaire (kg)	=	Tuyau haute pression ø28,58 longueur totale × 0,33 (kg/m)	+	Tuyau haute pression ø22,2 longueur totale × 0,21 (kg/m)	+	Tuyau haute pression ø19,05 longueur totale × 0,14 (kg/m)	+	Tuyau haute pression ø15,88 longueur totale × 0,1 (kg/m)
	+	Tuyau de liquide ø15,88 longueur totale × 0,18 (kg/m)	+	Tuyau de liquide ø12,7 longueur totale × 0,11 (kg/m)	+	Tuyau de liquide ø9,52 longueur totale × 0,054 (kg/m)	+	Tuyau de liquide ø6,35 longueur totale × 0,021 (kg/m)
	+	Contrôleur BC principal et secondaire		Quantité (kg/appareil)		Capacité totale des appareils intérieurs raccordés		Quantité (kg) (à ajouter pour l'appareil intérieur)
		Type J	1,5		27 ou en-dessous	2,0		
		Type JA	3,0		28 à 54	2,5		
		Type KA	4,7		55 à 126	3,0		
		Type KB	0,4		127 à 144	3,5		
					145 à 180	4,5		
					181 à 234	5,0		
					235 à 273	6,0		
					274 à 307	8,0		
					308 à 342	9,0		
					343 à 411	10,0		
					412 à 450	12,0		
					451 ou au-dessus	14,0		

	Capacité totale des appareils extérieurs	Quantité (kg) (à ajouter pour l'appareil extérieur)
Appareil unique	72	0
	96	0
	120	0
	144	0
	168	0
	192	4,4
	216	4,4
	240	4,4
Combinaison d'appareils	192	0
	216	0
	240	0
	264	0
	288	0
	312	0
	336	0
	384	8,8
	432	8,8

\* Lors du raccordement de PLFY-EP06NEMU-E\*\*, PLFY-EP18NEMU-E\*\* ou PLFY-EP36NEMU-E\*\*, ajoutez 0,67 kg de réfrigérant par appareil intérieur.

\* Lors du raccordement de PEFY-P06NMAU-E\*\*, PEFY-P24NMAU-E\*\* ou PEFY-P36NMAU-E\*\*, ajoutez 0,55 kg de réfrigérant par appareil intérieur.

<Exemple>

Appareil extérieur 1 modèle : P120

Appareil extérieur 2 modèle : P120

Modèle de contrôleur BC (principal) : CMB-P108NU-JA1

Modèle de contrôleur BC (secondaire) : CMB-P104NU-KB1 × 4 appareils

Capacité totale des appareils intérieurs raccordés : 206

\* Consultez les exemples de raccordements de tuyaux dans la section 9-4 pour les tuyaux marqués avec les lettres ci-dessous.

- A: ø28,58; 40 m
- B: ø9,52; 10 m
- C: ø9,52; 5 m
- D: ø9,52; 5 m
- E: ø9,52; 5 m
- F: ø9,52; 5 m
- G: ø9,52; 5 m
- H: ø9,52; 5 m
- I: ø9,52; 5 m
- A1: ø19,05; 3 m
- A2: ø19,05; 1 m
- a: ø9,52; 10 m
- b: ø9,52; 5 m



- c: ø6,35; 5 m
- d: ø6,35; 10 m
- e: ø6,35; 5 m
- f: ø9,52; 5 m
- g: ø9,52; 5 m
- h: ø9,52; 5 m

La longueur totale de la tuyauterie haute pression et de la tuyauterie de liquide dans chaque cas est comme suit :

ø28,58 longueur totale : 40 (A)

ø19,05 longueur totale : 3 (A<sub>1</sub>) + 1 (A<sub>2</sub>) = 4

ø9,52 longueur totale : 10 (B) + 5 (C) + 5 (D) + 5 (E) + 5 (F) + 5 (G) + 5 (H) + 5 (I) + 10 (a) + 5 (b) + 5 (f) + 5 (g) + 5 (h) = 75

ø6,35 longueur totale : 5 (c) + 10 (d) + 5 (e) = 20

Par conséquent, si la longueur de la tuyauterie de l'appareil extérieur à l'appareil intérieur le plus éloigné est supérieure à 30,5 m (100 pieds),

Quantité de charge supplémentaire = (40 × 0,33) + (4 × 0,14) + (75 × 0,054) + (20 × 0,021) + 3,0 + (0,4 × 4) + 5

= 27,9 kg (Les fractions sont arrondies au chiffre supérieur.)

(2) Unités « pieds » et « oz » (Dans un système R2)

<Formule>

• Si la longueur de la tuyauterie de l'appareil extérieur à l'appareil intérieur le plus éloigné est inférieure ou égale à 30,5 m (100 pieds)

Quantité de charge supplémentaire (oz)	=	Tuyau haute pression ø1-1/8 longueur totale × 3,88 (oz/pieds)	+	Tuyau haute pression ø7/8 longueur totale × 2,48 (oz/pieds)	+	Tuyau haute pression ø3/4 longueur totale × 1,73 (oz/pieds)	+	Tuyau haute pression ø5/8 longueur totale × 1,19 (oz/pieds)																																			
		Tuyau de liquide ø5/8 longueur totale × 2,16 (oz/pieds)	+	Tuyau de liquide ø1/2 longueur totale × 1,30 (oz/pieds)	+	Tuyau de liquide ø3/8 longueur totale × 0,65 (oz/pieds)	+	Tuyau de liquide ø1/4 longueur totale × 0,26 (oz/pieds)																																			
		+ <table border="1"> <tr> <th>Contrôleur BC principal et secondaire</th> <th>Quantité (oz/appareil)</th> </tr> <tr> <td>Type J</td> <td>53</td> </tr> <tr> <td>Type JA</td> <td>106</td> </tr> <tr> <td>Type KA</td> <td>166</td> </tr> <tr> <td>Type KB</td> <td>15</td> </tr> </table>		Contrôleur BC principal et secondaire	Quantité (oz/appareil)	Type J	53	Type JA	106	Type KA	166	Type KB	15			+ <table border="1"> <tr> <th>Capacité totale des appareils intérieurs raccordés</th> <th>Quantité (oz) (à ajouter pour l'appareil intérieur)</th> </tr> <tr> <td>27 ou en-dessous</td> <td>71</td> </tr> <tr> <td>28 à 54</td> <td>89</td> </tr> <tr> <td>55 à 126</td> <td>106</td> </tr> <tr> <td>127 à 144</td> <td>124</td> </tr> <tr> <td>145 à 180</td> <td>159</td> </tr> <tr> <td>181 à 234</td> <td>177</td> </tr> <tr> <td>235 à 273</td> <td>212</td> </tr> <tr> <td>274 à 307</td> <td>283</td> </tr> <tr> <td>308 à 342</td> <td>318</td> </tr> <tr> <td>343 à 411</td> <td>353</td> </tr> <tr> <td>412 à 450</td> <td>424</td> </tr> <tr> <td>451 ou au-dessus</td> <td>494</td> </tr> </table>		Capacité totale des appareils intérieurs raccordés	Quantité (oz) (à ajouter pour l'appareil intérieur)	27 ou en-dessous	71	28 à 54	89	55 à 126	106	127 à 144	124	145 à 180	159	181 à 234	177	235 à 273	212	274 à 307	283	308 à 342	318	343 à 411	353	412 à 450	424	451 ou au-dessus	494
Contrôleur BC principal et secondaire	Quantité (oz/appareil)																																										
Type J	53																																										
Type JA	106																																										
Type KA	166																																										
Type KB	15																																										
Capacité totale des appareils intérieurs raccordés	Quantité (oz) (à ajouter pour l'appareil intérieur)																																										
27 ou en-dessous	71																																										
28 à 54	89																																										
55 à 126	106																																										
127 à 144	124																																										
145 à 180	159																																										
181 à 234	177																																										
235 à 273	212																																										
274 à 307	283																																										
308 à 342	318																																										
343 à 411	353																																										
412 à 450	424																																										
451 ou au-dessus	494																																										

Capacité totale des appareils extérieurs		Quantité (oz) (à ajouter pour l'appareil extérieur)
Appareil unique	72	0
	96	0
	120	0
	144	0
	168	0
	192	156
	216	156
Combinaison d'appareils	240	156
	192	0
	216	0
	240	0
	264	0
	288	0
	312	0
	336	0
384	311	
432	311	

Capacité totale des appareils extérieurs		Quantité (oz)
Appareil unique	72	53
	96	53
	120	106
	144	89
	168	142
	192	124
	216	142
Combinaison d'appareils	240	159
	192	142
	216	159
	240	177
	264	89
	288	53
	312	71
	336	71
384	0	
432	0	

\* Si tous les modèles d'appareils intérieurs raccordés correspondent au cas 1 ou 2, n'ajoutez PAS le réfrigérant indiqué dans le tableau ②. À la place, ajoutez la quantité suivante de réfrigérant.

Cas 1 : PLFY-EP06/18/36NEMU-E\*\*

→ Ajoutez 24 oz par PLFY-EP06/18/36NEMU-E\*\*.

Cas 2 : PEFY-P06/24/36NMAU-E\*\*

→ Ajoutez 20 oz par PEFY-P06/24/36NMAU-E\*\*.

• Si la longueur de la tuyauterie de l'appareil extérieur à l'appareil intérieur le plus éloigné est supérieure à 30,5 m (100 pieds)

Quantité de charge supplémentaire (oz)	=	Tuyau haute pression ø1-1/8 longueur totale × 3,54 (oz/pieds)	+	Tuyau haute pression ø7/8 longueur totale × 2,26 (oz/pieds)	+	Tuyau haute pression ø3/4 longueur totale × 1,51 (oz/pieds)	+	Tuyau haute pression ø5/8 longueur totale × 1,08 (oz/pieds)
	+	Tuyau de liquide ø5/8 longueur totale × 1,94 (oz/pieds)	+	Tuyau de liquide ø1/2 longueur totale × 1,19 (oz/pieds)	+	Tuyau de liquide ø3/8 longueur totale × 0,59 (oz/pieds)	+	Tuyau de liquide ø1/4 longueur totale × 0,23 (oz/pieds)
	+	Contrôleur BC principal et secondaire		Quantité (oz/appareil)		Capacité totale des appareils intérieurs raccordés		Quantité (oz) (à ajouter pour l'appareil intérieur)
		Type J		53		27 ou en-dessous		71
		Type JA		106		28 à 54		89
		Type KA		166		55 à 126		106
		Type KB		15		127 à 144		124
						145 à 180		159
						181 à 234		177
						235 à 273		212
						274 à 307		283
						308 à 342		318
						343 à 411		353
						412 à 450		424
						451 ou au-dessus		494

Capacité totale des appareils extérieurs		Quantité (oz) (à ajouter pour l'appareil extérieur)
Appareil unique	72	0
	96	0
	120	0
	144	0
	168	0
	192	156
	216	156
Combinaison d'appareils	240	156
	192	0
	216	0
	240	0
	264	0
	288	0
	312	0
	336	0
	384	311
	432	311

\* Lors du raccordement de PLFY-EP06NEMU-E\*\*, PLFY-EP18NEMU-E\*\* ou PLFY-EP36NEMU-E\*\*, ajoutez 24 oz de réfrigérant par appareil intérieur.

\* Lors du raccordement de PEFY-P06NMAU-E\*\*, PEFY-P24NMAU-E\*\* ou PEFY-P36NMAU-E\*\*, ajoutez 20 oz de réfrigérant par appareil intérieur.

<Exemple>

Appareil extérieur 1 modèle : P120

Appareil extérieur 2 modèle : P120

Modèle de contrôleur BC (principal) : CMB-P108NU-JA1

Modèle de contrôleur BC (secondaire) : CMB-P104NU-KB1 × 4 appareils

Capacité totale des appareils intérieurs raccordés : 206

\* Consultez les exemples de raccordements de tuyaux dans la section 9-4 pour les tuyaux marqués avec les lettres ci-dessous.

- A: ø1-1/8; 131 pieds
- B: ø3/8; 32 pieds
- C: ø3/8; 16 pieds
- D: ø3/8; 16 pieds
- E: ø3/8; 16 pieds
- F: ø3/8; 16 pieds
- G: ø3/8; 16 pieds
- H: ø3/8; 16 pieds
- I: ø3/8; 16 pieds
- A1: ø3/4; 9 pieds
- A2: ø3/4; 3 pieds
- a: ø3/8; 32 pieds
- b: ø3/8; 16 pieds
- c: ø1/4; 16 pieds
- d: ø1/4; 32 pieds
- e: ø1/4; 16 pieds
- f: ø3/8; 16 pieds
- g: ø3/8; 16 pieds
- h: ø3/8; 16 pieds

La longueur totale de la tuyauterie haute pression et de la tuyauterie de liquide dans chaque cas est comme suit :

ø1-1/8 longueur totale : 131 (A)

ø3/4 longueur totale :  $9 (A_1) + 3 (A_2) = 12$

ø3/8 longueur totale :  $32 (B) + 16 (C) + 16 (D) + 16 (E) + 16 (F) + 16 (G) + 16 (H) + 16 (I) + 32 (a) + 16 (b) + 16 (f) + 16 (g) + 16 (h) = 240$

ø1/4 longueur totale :  $16 (c) + 32 (d) + 16 (e) = 64$

Par conséquent, si la longueur de la tuyauterie de l'appareil extérieur à l'appareil intérieur le plus éloigné est supérieure à 30,5 m (100 pieds),

Quantité de charge supplémentaire =  $(131 \times 3,54) + (12 \times 1,51) + (240 \times 0,59) + (64 \times 0,23) + 106 + (15 \times 4) + 177$

= 981,2 oz (Les fractions sont arrondies au chiffre supérieur.)

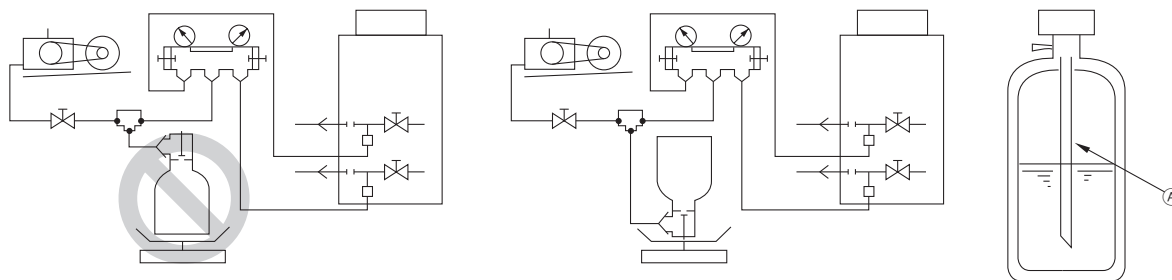
## 9-9-2. Chargement de réfrigérant supplémentaire

Chargez la quantité calculée de réfrigérant à l'état liquide dans l'appareil par le port de service après avoir terminé les travaux de tuyauterie. Une fois tous les travaux achevés, serrez fermement tous les capuchons des ports de service et les capuchons des arbres pour empêcher une fuite de réfrigérant.

- N'évacuez pas le réfrigérant dans l'atmosphère.
- Consultez la table ci-dessous pour connaître le couple de serrage approprié.

Taille du tuyau [mm (po)]	Capuchon d'arbre (N·m)	Capuchon du port de service (N·m)
ø9,52 (ø3/8)	25	14
ø12,7 (ø1/2)	30	
ø15,88 (ø5/8)	35	
ø19,05 (ø3/4)	25	
ø25,4 (ø1)	25	18
ø28,58 (ø1-1/8)	24,5	

- Si le réservoir du réfrigérant ne dispose pas d'un tuyau de siphon, chargez le réfrigérant liquide avec le réservoir renversé comme indiqué dans la figure ci-dessous.



(A) Tube siphon

- Après une purge et un chargement de réfrigérant, assurez-vous que les soupapes de service sont complètement ouvertes. N'utilisez pas l'appareil avec les soupapes de service fermées.

# 10. Travaux électriques

## ⚠ AVERTISSEMENT

Les travaux électriques doivent être effectués par un électricien qualifié, conformément aux réglementations locales et aux instructions détaillées dans ce manuel. Utiliser uniquement les câbles spécifiés et les circuits dédiés.

- Une source d'alimentation de capacité inadéquate ou des travaux électriques incorrects risquent de provoquer des décharges électriques, des dysfonctionnements ou un incendie.

**Une mise à la terre correcte doit être effectuée par du personnel qualifié.**

- Une mise à la terre incorrecte peut entraîner une décharge électrique, un incendie, une explosion ou un dysfonctionnement dû au bruit électrique. Ne raccordez pas le fil de terre aux tuyaux de gaz ou d'eau, aux paratonnerres ou aux fils de terre du téléphone.

### 10-1. Avant des travaux électriques

- Si vous effectuez des travaux électriques, consultez les modes d'emploi de l'appareil intérieur ou du contrôleur.
- Tenez toujours compte des conditions ambiantes (température ambiante, exposition directe au soleil, pluie, etc.) lors du câblage et des raccordements.
- Lorsque vous ouvrez ou fermez le panneau avant du boîtier de commande, ne le laissez pas venir en contact avec des composants internes.
- Les conditions spécifiques de câblage doivent se conformer aux règlements locaux en matière de câblage.
- Prévoyez du mou dans le câblage du boîtier de commande des appareils intérieurs et extérieurs car ces boîtiers sont parfois retirés lors des travaux d'entretien.

### 10-2. Capacité des câbles électriques et de l'appareil

## ⚠ AVERTISSEMENT

**Mettez du mou dans les câbles d'alimentation.**

- À défaut, les câbles peuvent casser ou surchauffer, entraînant de la fumée ou un incendie.

**Installez un disjoncteur d'onduleur sur l'alimentation électrique de chaque appareil.**

- À défaut, ceci peut provoquer une décharge électrique ou un incendie.

**Utilisez uniquement des disjoncteurs à la valeur nominale appropriée (un disjoncteur de fuite à la terre, un commutateur local < un interrupteur + fusible conformes aux codes électriques locaux > ou un disjoncteur de surintensité).**

- À défaut, ceci peut provoquer une décharge électrique, un dysfonctionnement, de la fumée ou un incendie.

**Utilisez uniquement des câbles d'alimentation standard à la capacité suffisante.**

- À défaut, ceci peut provoquer une fuite de courant, une surchauffe, de la fumée ou un incendie.

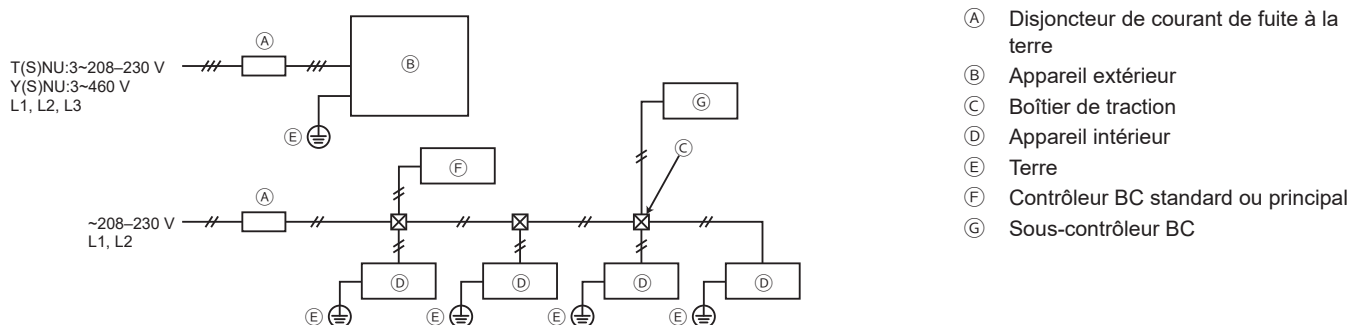
**Serrez toutes les vis-bornes au couple spécifié.**

- Des bornes desserrées et un défaut de contact peuvent causer de la fumée ou un incendie.

## ATTENTION

Si un courant électrique important circule en raison d'un dysfonctionnement ou d'une panne de câblage, les disjoncteurs de fuite à la terre du côté de l'appareil et en amont du système d'alimentation électrique peuvent fonctionner. En fonction de l'importance du système, séparez le système d'alimentation ou effectuez une coordination de protection des disjoncteurs.

- Exemple de câblage



- Assurez-vous d'utiliser le type approprié de disjoncteur de surtension. Notez que la surintensité produite peut inclure une certaine quantité de courant continu.

- Sélectionnez le type de disjoncteur pour un circuit inverseur comme un disjoncteur de courant de fuite à la terre. (Mitsubishi Electric série NV-C ou équivalent)
- Le disjoncteur de courant de fuite à la terre doit être utilisé associé à un commutateur local.
- Assurez-vous que la séquence de phase est correcte. (L1, L2 et L3)
- Si le câble électrique est endommagé, il doit être remplacé par le fabricant, son agent de service ou une personne de qualification similaire afin d'éviter tout risque.
- Utilisez des câbles électriques dédiés pour l'appareil extérieur et l'appareil intérieur. Câblez individuellement l'OC et l'OS.
- Taille du câble électrique, capacité de l'appareil et impédance du système  
(Si les réglementations locales ne précisent pas la taille du câble électrique ou la capacité de l'appareil minimales, suivez les valeurs de la table ci-dessous).
- Taille du câble électrique, capacité de l'appareil et impédance du système  
MOP est utilisé pour sélectionner le fusible, le commutateur, le coupe-circuit pour la fuite courant.

(1) Modèles TNU (208 V)

Modèle extérieur	Combinaison d'appareils	Taille minimale [mm <sup>2</sup> (AWG)]		Disjoncteur de courant de fuite à la terre	MCA (A)	MOP (A)
		Câble électrique	Terre			
PURY-P72TNU-A(-BS)	–	5,3 (10)	5,3 (10)	30 A 30 mA ou 100 mA 0,1 sec. ou moins	24	40
PURY-P96TNU-A(-BS)	–	8,4 (8)	8,4 (8)	40 A 100 mA 0,1 sec. ou moins	33	50
PURY-P120TNU-A(-BS)	–	13,3 (6)	13,3 (6)	50 A 100 mA 0,1 sec. ou moins	43	70
PURY-P144TNU-A(-BS)	–	21,2 (4)	21,2 (4)	60 A 100 mA 0,1 sec. ou moins	52	80
PURY-P168TNU-A(-BS)	–	21,2 (4)	21,2 (4)	70 A 100 mA 0,1 sec. ou moins	61	100
PURY-P192TSNU-A(-BS)	PURY-P96TNU-A(-BS)	8,4 (8)	8,4 (8)	40 A 100 mA 0,1 sec. ou moins	33	50
	PURY-P96TNU-A(-BS)	8,4 (8)	8,4 (8)	40 A 100 mA 0,1 sec. ou moins	33	50
PURY-P216TSNU-A(-BS)	PURY-P120TNU-A(-BS)	13,3 (6)	13,3 (6)	50 A 100 mA 0,1 sec. ou moins	43	70
	PURY-P96TNU-A(-BS)	8,4 (8)	8,4 (8)	40 A 100 mA 0,1 sec. ou moins	33	50
PURY-P240TSNU-A(-BS)	PURY-P120TNU-A(-BS)	13,3 (6)	13,3 (6)	50 A 100 mA 0,1 sec. ou moins	43	70
	PURY-P120TNU-A(-BS)	13,3 (6)	13,3 (6)	50 A 100 mA 0,1 sec. ou moins	43	70
PURY-P264TSNU-A(-BS)	PURY-P144TNU-A(-BS)	21,2 (4)	21,2 (4)	60 A 100 mA 0,1 sec. ou moins	52	80
	PURY-P120TNU-A(-BS)	13,3 (6)	13,3 (6)	50 A 100 mA 0,1 sec. ou moins	43	70
PURY-P288TSNU-A(-BS)	PURY-P144TNU-A(-BS)	21,2 (4)	21,2 (4)	60 A 100 mA 0,1 sec. ou moins	52	80
	PURY-P144TNU-A(-BS)	21,2 (4)	21,2 (4)	60 A 100 mA 0,1 sec. ou moins	52	80
PURY-P312TSNU-A(-BS)	PURY-P168TNU-A(-BS)	21,2 (4)	21,2 (4)	70 A 100 mA 0,1 sec. ou moins	61	100
	PURY-P144TNU-A(-BS)	21,2 (4)	21,2 (4)	60 A 100 mA 0,1 sec. ou moins	52	80
PURY-P336TSNU-A(-BS)	PURY-P168TNU-A(-BS)	21,2 (4)	21,2 (4)	70 A 100 mA 0,1 sec. ou moins	61	100
	PURY-P168TNU-A(-BS)	21,2 (4)	21,2 (4)	70 A 100 mA 0,1 sec. ou moins	61	100
PURY-EP72TNU-A(-BS)	–	8,4 (8)	8,4 (8)	35 A 30 mA ou 100 mA 0,1 sec. ou moins	23	35
PURY-EP96TNU-A(-BS)	–	13,3 (6)	13,3 (6)	45 A 100 mA 0,1 sec. ou moins	31	45
PURY-EP120TNU-A(-BS)	–	21,2 (4)	21,4 (4)	60 A 100 mA 0,1 sec. ou moins	41	60
PURY-EP144TNU-A(-BS)	–	21,2 (4)	21,2 (4)	60 A 100 mA 0,1 sec. ou moins	49	80
PURY-EP168TNU-A(-BS)	–	21,2 (4)	21,2 (4)	70 A 100 mA 0,1 sec. ou moins	57	90
PURY-EP192TNU-A(-BS)	–	33,6 (2)	33,6 (2)	80 A 100 mA 0,1 sec. ou moins	66	110
PURY-EP192TSNU-A(-BS)	PURY-EP96TNU-A(-BS)	13,3 (6)	13,3 (6)	45 A 100 mA 0,1 sec. ou moins	31	45
	PURY-EP96TNU-A(-BS)	13,3 (6)	13,3 (6)	45 A 100 mA 0,1 sec. ou moins	31	45
PURY-EP216TNU-A(-BS)	–	33,6 (2)	33,6 (2)	100 A 100 mA 0,1 sec. ou moins	73	125
PURY-EP216TSNU-A(-BS)	PURY-EP120TNU-A(-BS)	21,2 (4)	21,4 (4)	60 A 100 mA 0,1 sec. ou moins	41	60
	PURY-EP96TNU-A(-BS)	13,3 (6)	13,3 (6)	45 A 100 mA 0,1 sec. ou moins	31	45
PURY-EP240TNU-A(-BS)	–	33,6 (2)	33,6 (2)	100 A 100 mA 0,1 sec. ou moins	82	125
PURY-EP240TSNU-A(-BS)	PURY-EP120TNU-A(-BS)	21,2 (4)	21,2 (4)	60 A 100 mA 0,1 sec. ou moins	41	60
	PURY-EP120TNU-A(-BS)	21,2 (4)	21,2 (4)	60 A 100 mA 0,1 sec. ou moins	41	60
PURY-EP264TSNU-A(-BS)	PURY-EP144TNU-A(-BS)	21,2 (4)	21,2 (4)	60 A 100 mA 0,1 sec. ou moins	49	80
	PURY-EP120TNU-A(-BS)	21,2 (4)	21,2 (4)	60 A 100 mA 0,1 sec. ou moins	41	60
PURY-EP288TSNU-A(-BS)	PURY-EP144TNU-A(-BS)	21,2 (4)	21,2 (4)	60 A 100 mA 0,1 sec. ou moins	49	80
	PURY-EP144TNU-A(-BS)	21,2 (4)	21,2 (4)	60 A 100 mA 0,1 sec. ou moins	49	80
PURY-EP312TSNU-A(-BS)	PURY-EP168TNU-A(-BS)	21,2 (4)	21,2 (4)	70 A 100 mA 0,1 sec. ou moins	57	90
	PURY-EP144TNU-A(-BS)	21,2 (4)	21,2 (4)	60 A 100 mA 0,1 sec. ou moins	49	80
PURY-EP336TSNU-A(-BS)	PURY-EP168TNU-A(-BS)	21,2 (4)	21,2 (4)	70 A 100 mA 0,1 sec. ou moins	57	90
	PURY-EP168TNU-A(-BS)	21,2 (4)	21,2 (4)	70 A 100 mA 0,1 sec. ou moins	57	90
PURY-EP384TSNU-A(-BS)	PURY-EP192TNU-A(-BS)	33,6 (2)	33,6 (2)	80 A 100 mA 0,1 sec. ou moins	66	110
	PURY-EP192TNU-A(-BS)	33,6 (2)	33,6 (2)	80 A 100 mA 0,1 sec. ou moins	66	110
PURY-EP432TSNU-A(-BS)	PURY-EP216TNU-A(-BS)	33,6 (2)	33,6 (2)	100 A 100 mA 0,1 sec. ou moins	73	125
	PURY-EP216TNU-A(-BS)	33,6 (2)	33,6 (2)	100 A 100 mA 0,1 sec. ou moins	73	125



## (2) Modèles TNU (230 V)

Modèle extérieur	Combinaison d'appareils	Taille minimale [mm <sup>2</sup> (AWG)]		Disjoncteur de courant de fuite à la terre	MCA (A)	MOP (A)
		Câble électrique	Terre			
PURY-P72TNU-A(-BS)	–	5,3 (10)	5,3 (10)	30 A 30 mA ou 100 mA 0,1 sec. ou moins	22	35
PURY-P96TNU-A(-BS)	–	8,4 (8)	8,4 (8)	40 A 100 mA 0,1 sec. ou moins	30	45
PURY-P120TNU-A(-BS)	–	13,3 (6)	13,3 (6)	50 A 100 mA 0,1 sec. ou moins	40	60
PURY-P144TNU-A(-BS)	–	21,2 (4)	21,2 (4)	60 A 100 mA 0,1 sec. ou moins	48	70
PURY-P168TNU-A(-BS)	–	21,2 (4)	21,2 (4)	70 A 100 mA 0,1 sec. ou moins	57	90
PURY-P192TSNU-A(-BS)	PURY-P96TNU-A(-BS)	8,4 (8)	8,4 (8)	40 A 100 mA 0,1 sec. ou moins	30	45
	PURY-P96TNU-A(-BS)	8,4 (8)	8,4 (8)	40 A 100 mA 0,1 sec. ou moins	30	45
PURY-P216TSNU-A(-BS)	PURY-P120TNU-A(-BS)	13,3 (6)	13,3 (6)	50 A 100 mA 0,1 sec. ou moins	40	60
	PURY-P96TNU-A(-BS)	8,4 (8)	8,4 (8)	40 A 100 mA 0,1 sec. ou moins	30	45
PURY-P240TSNU-A(-BS)	PURY-P120TNU-A(-BS)	13,3 (6)	13,3 (6)	50 A 100 mA 0,1 sec. ou moins	40	60
	PURY-P120TNU-A(-BS)	13,3 (6)	13,3 (6)	50 A 100 mA 0,1 sec. ou moins	40	60
PURY-P264TSNU-A(-BS)	PURY-P144TNU-A(-BS)	21,2 (4)	21,2 (4)	60 A 100 mA 0,1 sec. ou moins	48	70
	PURY-P120TNU-A(-BS)	13,3 (6)	13,3 (6)	50 A 100 mA 0,1 sec. ou moins	40	60
PURY-P288TSNU-A(-BS)	PURY-P144TNU-A(-BS)	21,2 (4)	21,2 (4)	60 A 100 mA 0,1 sec. ou moins	48	70
	PURY-P144TNU-A(-BS)	21,2 (4)	21,2 (4)	60 A 100 mA 0,1 sec. ou moins	48	70
PURY-P312TSNU-A(-BS)	PURY-P168TNU-A(-BS)	21,2 (4)	21,2 (4)	70 A 100 mA 0,1 sec. ou moins	57	90
	PURY-P144TNU-A(-BS)	21,2 (4)	21,2 (4)	60 A 100 mA 0,1 sec. ou moins	48	70
PURY-P336TSNU-A(-BS)	PURY-P168TNU-A(-BS)	21,2 (4)	21,2 (4)	70 A 100 mA 0,1 sec. ou moins	57	90
	PURY-P168TNU-A(-BS)	21,2 (4)	21,2 (4)	70 A 100 mA 0,1 sec. ou moins	57	90
PURY-EP72TNU-A(-BS)	–	5,3 (10)	5,3 (10)	30 A 30 mA ou 100 mA 0,1 sec. ou moins	21	30
PURY-EP96TNU-A(-BS)	–	13,3 (6)	13,3 (6)	45 A 100 mA 0,1 sec. ou moins	29	45
PURY-EP120TNU-A(-BS)	–	21,2 (4)	21,2 (4)	60 A 100 mA 0,1 sec. ou moins	38	60
PURY-EP144TNU-A(-BS)	–	21,2 (4)	21,2 (4)	60 A 100 mA 0,1 sec. ou moins	45	70
PURY-EP168TNU-A(-BS)	–	21,2 (4)	21,2 (4)	70 A 100 mA 0,1 sec. ou moins	53	80
PURY-EP192TNU-A(-BS)	–	33,6 (2)	33,6 (2)	80 A 100 mA 0,1 sec. ou moins	60	100
	PURY-EP96TNU-A(-BS)	13,3 (6)	13,3 (6)	45 A 100 mA 0,1 sec. ou moins	29	45
PURY-EP192TSNU-A(-BS)	PURY-EP96TNU-A(-BS)	13,3 (6)	13,3 (6)	45 A 100 mA 0,1 sec. ou moins	29	45
	–	33,6 (2)	33,6 (2)	90 A 100 mA 0,1 sec. ou moins	67	110
PURY-EP216TSNU-A(-BS)	PURY-EP120TNU-A(-BS)	21,2 (4)	21,2 (4)	60 A 100 mA 0,1 sec. ou moins	38	60
	PURY-EP96TNU-A(-BS)	13,3 (6)	13,3 (6)	45 A 100 mA 0,1 sec. ou moins	29	45
PURY-EP240TSNU-A(-BS)	–	33,6 (2)	33,6 (2)	90 A 100 mA 0,1 sec. ou moins	75	125
	PURY-EP120TNU-A(-BS)	21,2 (4)	21,2 (4)	60 A 100 mA 0,1 sec. ou moins	38	60
PURY-EP240TSNU-A(-BS)	PURY-EP120TNU-A(-BS)	21,2 (4)	21,2 (4)	60 A 100 mA 0,1 sec. ou moins	38	60
	–	33,6 (2)	33,6 (2)	90 A 100 mA 0,1 sec. ou moins	75	125
PURY-EP264TSNU-A(-BS)	PURY-EP144TNU-A(-BS)	21,2 (4)	21,2 (4)	60 A 100 mA 0,1 sec. ou moins	45	70
	PURY-EP120TNU-A(-BS)	21,2 (4)	21,2 (4)	60 A 100 mA 0,1 sec. ou moins	38	60
PURY-EP288TSNU-A(-BS)	PURY-EP144TNU-A(-BS)	21,2 (4)	21,2 (4)	60 A 100 mA 0,1 sec. ou moins	45	70
	PURY-EP144TNU-A(-BS)	21,2 (4)	21,2 (4)	60 A 100 mA 0,1 sec. ou moins	45	70
PURY-EP312TSNU-A(-BS)	PURY-EP168TNU-A(-BS)	21,2 (4)	21,2 (4)	70 A 100 mA 0,1 sec. ou moins	53	80
	PURY-EP144TNU-A(-BS)	21,2 (4)	21,2 (4)	60 A 100 mA 0,1 sec. ou moins	45	70
PURY-EP336TSNU-A(-BS)	PURY-EP168TNU-A(-BS)	21,2 (4)	21,2 (4)	70 A 100 mA 0,1 sec. ou moins	53	80
	PURY-EP168TNU-A(-BS)	21,2 (4)	21,2 (4)	70 A 100 mA 0,1 sec. ou moins	53	80
PURY-EP384TSNU-A(-BS)	PURY-EP192TNU-A(-BS)	33,6 (2)	33,6 (2)	80 A 100 mA 0,1 sec. ou moins	60	100
	PURY-EP192TNU-A(-BS)	33,6 (2)	33,6 (2)	80 A 100 mA 0,1 sec. ou moins	60	100
PURY-EP432TSNU-A(-BS)	PURY-EP216TNU-A(-BS)	33,6 (2)	33,6 (2)	90 A 100 mA 0,1 sec. ou moins	67	110
	PURY-EP216TNU-A(-BS)	33,6 (2)	33,6 (2)	90 A 100 mA 0,1 sec. ou moins	67	110

### (3) Modèles YNU

Modèle extérieur	Combinaison d'appareils	Taille minimale [mm <sup>2</sup> (AWG)]		Disjoncteur de courant de fuite à la terre	MCA (A) (460 V)	MOP (A) (460 V)
		Câble électrique	Terre			
PURY-P72YNU-A(-BS)	–	2,1 (14)	2,1 (14)	15 A 30 mA ou 100 mA 0,1 sec. ou moins	11	15
PURY-P96YNU-A(-BS)	–	3,3 (12)	3,3 (12)	20 A 30 mA ou 100 mA 0,1 sec. ou moins	15	20
PURY-P120YNU-A(-BS)	–	5,3 (10)	5,3 (10)	25 A 30 mA ou 100 mA 0,1 sec. ou moins	18	25
PURY-P144YNU-A(-BS)	–	5,3 (10)	5,3 (10)	30 A 30 mA ou 100 mA 0,1 sec. ou moins	20	30
PURY-P168YNU-A(-BS)	–	8,4 (8)	8,4 (8)	40 A 100 mA 0,1 sec. ou moins	28	40
PURY-P192YSNU-A(-BS)	PURY-P96YNU-A(-BS)	3,3 (12)	3,3 (12)	20 A 30 mA ou 100 mA 0,1 sec. ou moins	15	20
	PURY-P96YNU-A(-BS)	3,3 (12)	3,3 (12)	20 A 30 mA ou 100 mA 0,1 sec. ou moins	15	20
PURY-P216YSNU-A(-BS)	PURY-P144YNU-A(-BS)	5,3 (10)	5,3 (10)	25 A 30 mA ou 100 mA 0,1 sec. ou moins	18	25
	PURY-P96YNU-A(-BS)	3,3 (12)	3,3 (12)	20 A 30 mA ou 100 mA 0,1 sec. ou moins	15	20
PURY-P240YSNU-A(-BS)	PURY-P120YNU-A(-BS)	5,3 (10)	5,3 (10)	25 A 30 mA ou 100 mA 0,1 sec. ou moins	18	25
	PURY-P120YNU-A(-BS)	5,3 (10)	5,3 (10)	25 A 30 mA ou 100 mA 0,1 sec. ou moins	18	25
PURY-P264YSNU-A(-BS)	PURY-P144YNU-A(-BS)	5,3 (10)	5,3 (10)	30 A 30 mA ou 100 mA 0,1 sec. ou moins	20	30
	PURY-P120YNU-A(-BS)	5,3 (10)	5,3 (10)	25 A 30 mA ou 100 mA 0,1 sec. ou moins	18	25
PURY-P288YSNU-A(-BS)	PURY-P144YNU-A(-BS)	5,3 (10)	5,3 (10)	30 A 30 mA ou 100 mA 0,1 sec. ou moins	20	30
	PURY-P144YNU-A(-BS)	5,3 (10)	5,3 (10)	30 A 30 mA ou 100 mA 0,1 sec. ou moins	20	30
PURY-P312YSNU-A(-BS)	PURY-P168YNU-A(-BS)	8,4 (8)	8,4 (8)	40 A 100 mA 0,1 sec. ou moins	28	40
	PURY-P144YNU-A(-BS)	5,3 (10)	5,3 (10)	30 A 30 mA ou 100 mA 0,1 sec. ou moins	20	30
PURY-P336YSNU-A(-BS)	PURY-P168YNU-A(-BS)	8,4 (8)	8,4 (8)	40 A 100 mA 0,1 sec. ou moins	28	40
	PURY-P168YNU-A(-BS)	8,4 (8)	8,4 (8)	40 A 100 mA 0,1 sec. ou moins	28	40
PURY-EP72YNU-A(-BS)	–	2,1 (14)	2,1 (14)	15 A 30 mA ou 100 mA 0,1 sec. ou moins	10	15
PURY-EP96YNU-A(-BS)	–	3,3 (12)	3,3 (12)	20 A 30 mA ou 100 mA 0,1 sec. ou moins	14	20
PURY-EP120YNU-A(-BS)	–	5,3 (10)	5,3 (10)	30 A 30 mA ou 100 mA 0,1 sec. ou moins	19	30
PURY-EP144YNU-A(-BS)	–	8,4 (8)	8,4 (8)	35 A 30 mA ou 100 mA 0,1 sec. ou moins	22	35
PURY-EP168YNU-A(-BS)	–	8,4 (8)	8,4 (8)	40 A 100 mA 0,1 sec. ou moins	26	40
PURY-EP192YNU-A(-BS)	–	8,4 (8)	8,4 (8)	40 A 100 mA 0,1 sec. ou moins	30	50
PURY-EP192YSNU-A(-BS)	PURY-EP96YNU-A(-BS)	3,3 (12)	3,3 (12)	20 A 30 mA ou 100 mA 0,1 sec. ou moins	14	20
	PURY-EP96YNU-A(-BS)	3,3 (12)	3,3 (12)	20 A 30 mA ou 100 mA 0,1 sec. ou moins	14	20
PURY-EP216YNU-A(-BS)	–	13,3 (6)	13,3 (6)	50 A 100 mA 0,1 sec. ou moins	33	50
PURY-EP216YSNU-A(-BS)	PURY-EP120YNU-A(-BS)	5,3 (10)	5,3 (10)	30 A 30 mA ou 100 mA 0,1 sec. ou moins	19	30
	PURY-EP96YNU-A(-BS)	3,3 (12)	3,3 (12)	20 A 30 mA ou 100 mA 0,1 sec. ou moins	14	20
PURY-EP240YNU-A(-BS)	–	13,3 (6)	13,3 (6)	50 A 100 mA 0,1 sec. ou moins	37	60
PURY-EP240YSNU-A(-BS)	PURY-EP120YNU-A(-BS)	5,3 (10)	5,3 (10)	30 A 30 mA ou 100 mA 0,1 sec. ou moins	19	30
	PURY-EP120YNU-A(-BS)	5,3 (10)	5,3 (10)	30 A 35 mA ou 100 mA 0,1 sec. ou moins	19	30
PURY-EP264YSNU-A(-BS)	PURY-EP144YNU-A(-BS)	8,4 (8)	8,4 (8)	35 A 30 mA ou 100 mA 0,1 sec. ou moins	22	35
	PURY-EP120YNU-A(-BS)	5,3 (10)	5,3 (10)	30 A 30 mA ou 100 mA 0,1 sec. ou moins	19	30
PURY-EP288YSNU-A(-BS)	PURY-EP144YNU-A(-BS)	8,4 (8)	8,4 (8)	35 A 30 mA ou 100 mA 0,1 sec. ou moins	22	35
	PURY-EP144YNU-A(-BS)	8,4 (8)	8,4 (8)	35 A 30 mA ou 100 mA 0,1 sec. ou moins	22	35
PURY-EP312YSNU-A(-BS)	PURY-EP168YNU-A(-BS)	8,4 (8)	8,4 (8)	40 A 100 mA 0,1 sec. ou moins	26	40
	PURY-EP144YNU-A(-BS)	8,4 (8)	8,4 (8)	35 A 30 mA ou 100 mA 0,1 sec. ou moins	22	35
PURY-EP336YSNU-A(-BS)	PURY-EP168YNU-A(-BS)	8,4 (8)	8,4 (8)	40 A 100 mA 0,1 sec. ou moins	26	40
	PURY-EP168YNU-A(-BS)	8,4 (8)	8,4 (8)	40 A 100 mA 0,1 sec. ou moins	26	40
PURY-EP384YSNU-A(-BS)	PURY-EP192YNU-A(-BS)	8,4 (8)	8,4 (8)	40 A 100 mA 0,1 sec. ou moins	30	50
	PURY-EP192YNU-A(-BS)	8,4 (8)	8,4 (8)	40 A 100 mA 0,1 sec. ou moins	30	50
PURY-EP432YSNU-A(-BS)	PURY-EP216YNU-A(-BS)	13,3 (6)	13,3 (6)	50 A 100 mA 0,1 sec. ou moins	33	50
	PURY-EP216YNU-A(-BS)	13,3 (6)	13,3 (6)	50 A 100 mA 0,1 sec. ou moins	33	50

• Les sections de câbles données correspondent à la valeur minimum pour le câblage du conduit métallique. Si la tension baisse, utilisez un câble de diamètre une taille plus grande. Assurez-vous que la tension d'alimentation ne baisse pas de plus de 10 %. Assurez-vous que le déséquilibre de tension entre les phases est inférieur ou égal à 2 %.

• Les cordons d'alimentation des éléments des équipements utilisés à l'extérieur ne pourront pas répondre à des spécifications inférieures à celles du cordon souple gainé en polychloroprène (norme 245 IEC57). Par exemple, utilisez un câblage tel que le YZW.

## 10-3. Spécifications du câble de commande

### • Câble de transmission

Type	Câble blindé 2 conducteurs CVVS, CPEVS ou MVVS
Taille	1,25 mm <sup>2</sup> (AWG 16)
Longueur	Maxi 200 m (656 pieds)
Remarques	La longueur admissible maximale des câbles de transmission par les appareils extérieurs (câbles de transmission de commande centralisée et câbles de transmission intérieurs-extérieurs) est de 500 m (1640 pieds). <sup>*1</sup> La longueur admissible maximale des câbles de transmission de l'alimentation électrique à chaque appareil extérieur ou au contrôleur du système est de 200 m (656 pieds).

\* N'utilisez pas un seul câble à conducteurs multiples pour raccorder des appareils intérieurs appartenant à différents systèmes réfrigérants. L'utilisation d'un câble à conducteurs multiples peut entraîner des erreurs de transmission du signal et des dysfonctionnements.

\* Assurez-vous de la continuité du câblage en cas d'allongement du câble de transmission.

<sup>\*1</sup> Si vous avez besoin d'étendre la longueur des câbles de transmission à 1000 m (3280 pieds), consultez votre revendeur.

### • Câble de commande à distance

	ME câble de commande à distance	MA câble de commande à distance
Type	Câble gainé à 2 conducteurs (non blindé) CVV	
Taille	0,3–1,25 mm <sup>2</sup> (AWG 22–16) (0,75–1,25 mm <sup>2</sup> (AWG 18–16) si une commande à distance simple est raccordée)	
Longueur	Maxi 10 m (32 pieds) * Si la longueur dépasse 10 m (32 pieds), utilisez un câble blindé 1,25 mm <sup>2</sup> (AWG 16).	Maxi 200 m (656 pieds)



## 10-4. Configuration système

- Code appareil et nombre maximal d'appareils pouvant être raccordés

Type d'appareil		Code	Nombre d'appareils pouvant être raccordés
Appareil extérieur	Unité principale	OC	–
	Unité secondaire	OS	–
Appareil intérieur		IC	1 à 50 appareils par OC (dépend du modèle d'appareil)
Contrôleur BC	Principal	BC	1 appareil par OC
	Secondaire	BS	0 à 11 appareils par OC
Télécommande		RC	0 à 2 appareils par groupe
Module élévateur du niveau des signaux de transmission		RP	0 à 2 appareils par OC

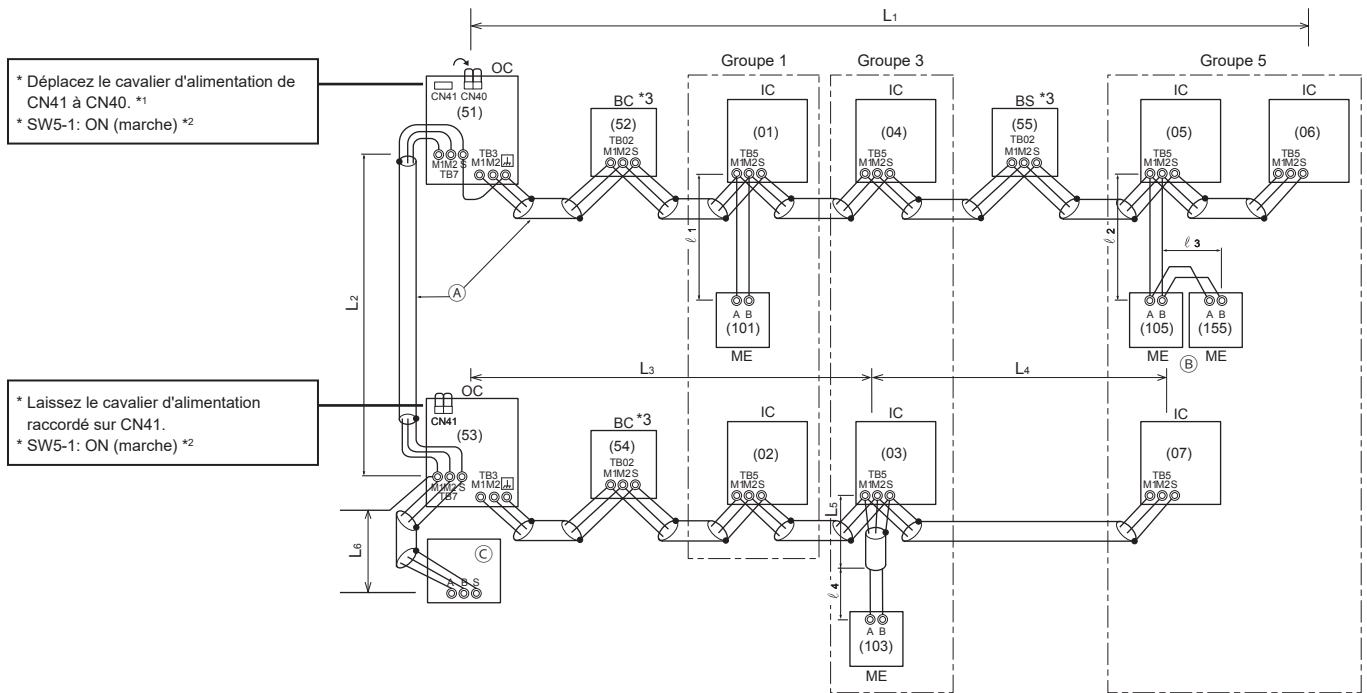
\* Un amplificateur de transmission peut être nécessaire selon le nombre d'appareils intérieurs raccordés. L'appareil extérieur n'est pas compatible avec PAC-SF46EPA, mais uniquement avec PAC-SF46EPA-G.

\* Les appareils extérieurs dans le même circuit réfrigérant sont automatiquement désignés OC et OS. Les appareils extérieurs sont désignés OC et OS par ordre de capacité d'importante à faible (si deux appareils ou plus ont la même capacité, dans l'ordre de l'adresse de la plus petite à la plus grande).

- Exemple de configuration système

\* Les numéros entre parenthèses dans les figures ci-dessous indiquent les numéros d'adresse.

- (1) Si les commandes à distance ME sont raccordées



- (A) Câble blindé
- (B) Télécommande secondaire
- (C) Contrôleur de système

\*1 Si une alimentation électrique n'est pas raccordée au câble de transmission de commande centralisée, déplacez le cavalier d'alimentation de CN41 à CN40 sur un seul des appareils extérieurs (hormis modèle TNU). Lorsque le contrôleur système est connecté à TB7 et que le modèle d'unité extérieure TNU est utilisé, connectez une alimentation électrique à TB7. Si vous ne pouvez pas utiliser l'alimentation électrique, reliez le contrôleur système à TB3. Il est possible de relier jusqu'à trois contrôleurs système à TB3.

\*2 Si un contrôleur de système est utilisé, réglez SW5-1 sur tous les appareils extérieurs sur ON (marche).

\*3 BC, BS

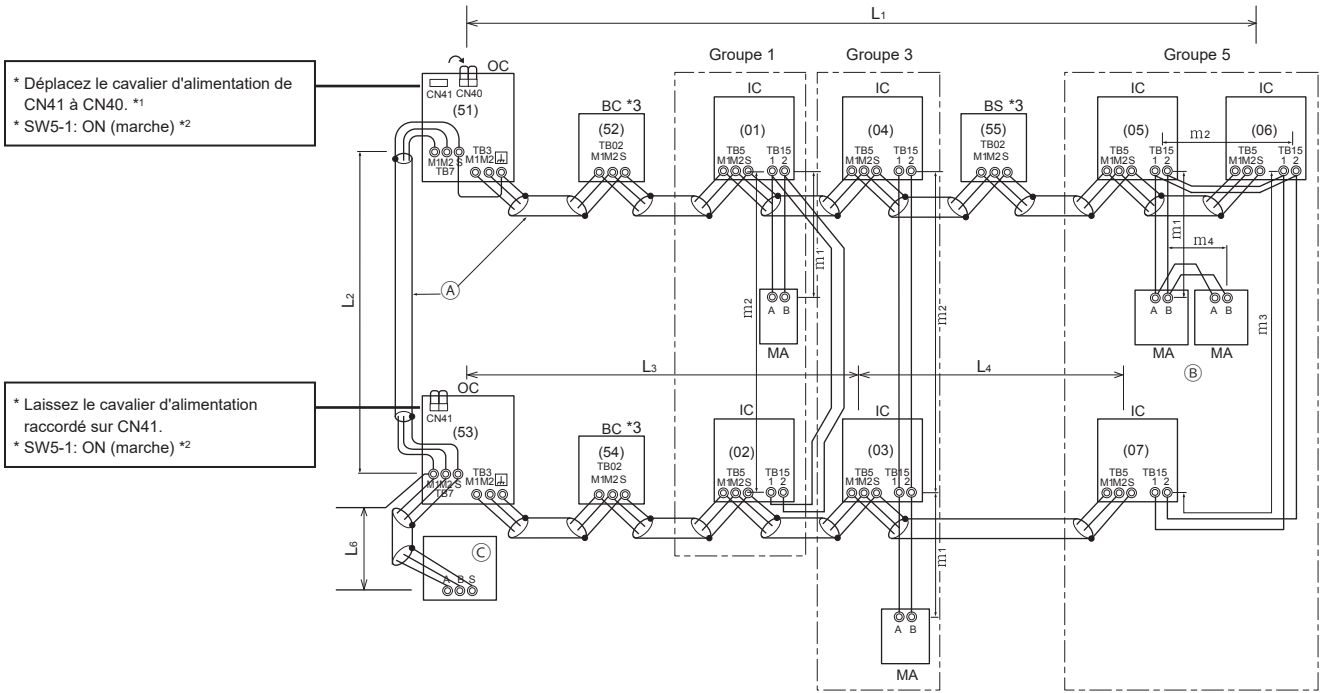
### Longueur admissible maximale des câbles de commande

Câbles de transmission par les appareils extérieurs	$L_1 + L_2 + L_3 + L_4$ , $L_1 + L_2 + L_3 + L_5$ , $L_1 + L_2 + L_6 \leq 500$ m (1640 pieds)
Câbles de transmission	$L_1$ , $L_3 + L_4$ , $L_3 + L_5$ , $L_6$ , $L_2 + L_6 \leq 200$ m (656 pieds)
Câbles de commande à distance	$l_1$ , $l_2$ , $l_3$ , $l_4 \leq 10$ m (32 pieds) * Si la longueur dépasse 10 m (32 pieds), la longueur dépassant 10 m (32 pieds) doit être incluse dans la longueur admissible maximale des câbles de transmission ci-dessus.

\*4 Si vous avez besoin d'étendre la longueur des câbles de transmission à 1000 m (3280 pieds), consultez votre revendeur.



(2) Si les commandes à distance MA sont raccordés



- (A) Câble blindé
- (B) Télécommande secondaire
- (C) Contrôleur de système

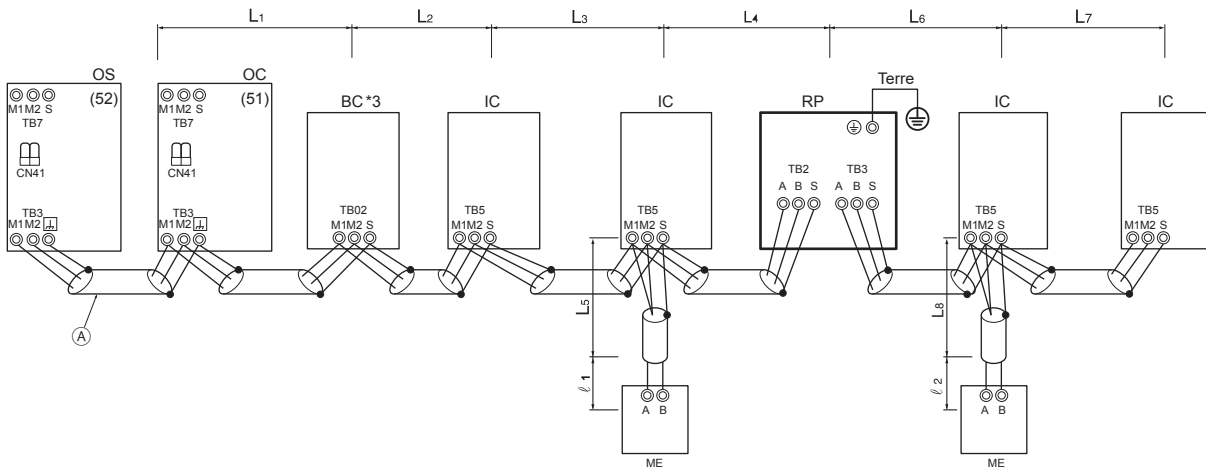
\*1 Si une alimentation électrique n'est pas raccordée au câble de transmission de commande centralisée, déplacez le cavalier d'alimentation de CN41 à CN40 sur un seul des appareils extérieurs (hormis modèle TNU). Lorsque le contrôleur système est connecté à TB7 et que le modèle d'unité extérieure TNU est utilisé, connectez une alimentation électrique à TB7. Si vous ne pouvez pas utiliser l'alimentation électrique, reliez le contrôleur système à TB3. Il est possible de relier jusqu'à trois contrôleurs système à TB3.  
 \*2 Si un contrôleur de système est utilisé, réglez SW5-1 sur tous les appareils extérieurs sur ON (marche).  
 \*3 Lorsqu'un PAR-31MAA est raccordé à un groupe, aucune autre télécommande MA ne peut être raccordée au même groupe.  
 \*4 BC, BS

Longueur admissible maximale des câbles de commande

Câbles de transmission par les appareils extérieurs	$L_1 + L_2 + L_3 + L_4$ , $L_1 + L_2 + L_6 \leq 500$ m (1640 pieds)
Câbles de transmission	$L_1$ , $L_3 + L_4$ , $L_6$ , $L_2 + L_6 \leq 200$ m (656 pieds)
Câbles de commande à distance	$m_1 + m_2$ , $m_1 + m_2 + m_3 + m_4 \leq 200$ m (656 pieds)

\*5 Si vous avez besoin d'étendre la longueur des câbles de transmission à 1000 m (3280 pieds), consultez votre revendeur.

(3) Si un amplificateur de transmission est raccordé



- (A) Câble blindé

\*1 Bornes en série (TB3) sur les appareils extérieurs ensemble dans le même système réfrigérant.  
 \*2 Laissez le cavalier d'alimentation raccordé sur CN41. Lors de la connexion d'un contrôleur de système à la ligne de transmission (TB7) pour la commande centralisée, reportez-vous à la (1), (2) ou au Livre de données.  
 \*3 BC

Longueur admissible maximale des câbles de commande

Câbles de transmission	$L_1 + L_2 + L_3 + L_4 + L_6 + L_7$ , $L_1 + L_2 + L_3 + L_4 + L_6 + L_8$ , $L_1 + L_2 + L_3 + L_5$ , $L_7 + L_6 + L_4 + L_5$ , $L_5 + L_4 + L_6 + L_8 \leq 200$ m (656 pieds)
Câbles de commande à distance	$\ell_1$ , $\ell_2 \leq 10$ m (32 pieds) * Si la longueur dépasse 10 m (32 pieds), la longueur dépassant 10 m (32 pieds) doit être incluse dans la longueur admissible maximale des câbles de transmission ci-dessus.

## 10-5. Raccordements de câblage dans le boîtier de commande

### **AVERTISSEMENT**

Les raccordements doivent être bien effectués, sans tension sur les bornes.

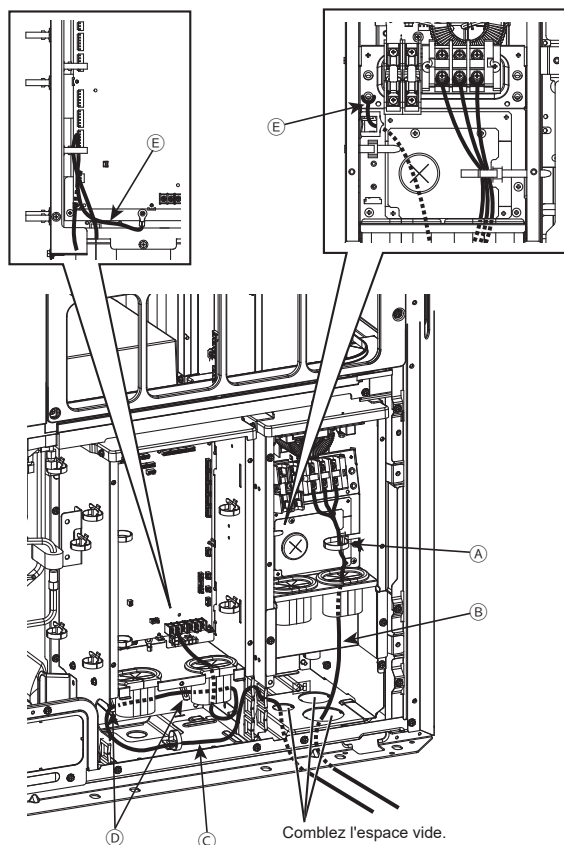
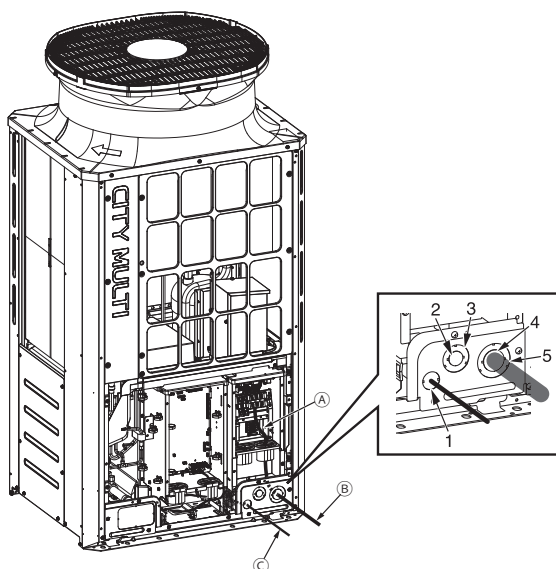
- Des câbles incorrectement raccordés peuvent casser, surchauffer ou causer de la fumée ou un incendie.

### 10-5-1. Câble électrique d'amorçage par le trou pré-percé

- Ouvrir le panneau avant lors de la réalisation d'une tâche de câblage.
- Frappez les trous pré-percés sur la partie inférieure du panneau avant ou de la base avec un marteau. Utilisez le trou pré-percé approprié en fonction de la taille du câble électrique en consultant la table ci-dessous.

(1) Lors de l'acheminement du câblage à travers l'avant de l'unité

(2) Lors de l'acheminement du câblage à travers le bas de l'unité



Aille du câble électrique (mm <sup>2</sup> )	Trou pré-percé à utiliser
2, 3,5, 5,5	Trou pré-percé 2
8, 14	Trou pré-percé 4
21, 26, 33	Trou pré-percé 3
53, 67, 84	Trou pré-percé 5

(A) Sangle pour câble

(B) Câble électrique

(C) Câble de transmission

La longueur de la section après l'orifice d'accès du câble doit être au minimum de 1100 mm (43 po).

(D) Bande d'attache

(E) Fil de terre qui relie le boîtier principal et le boîtier de l'onduleur

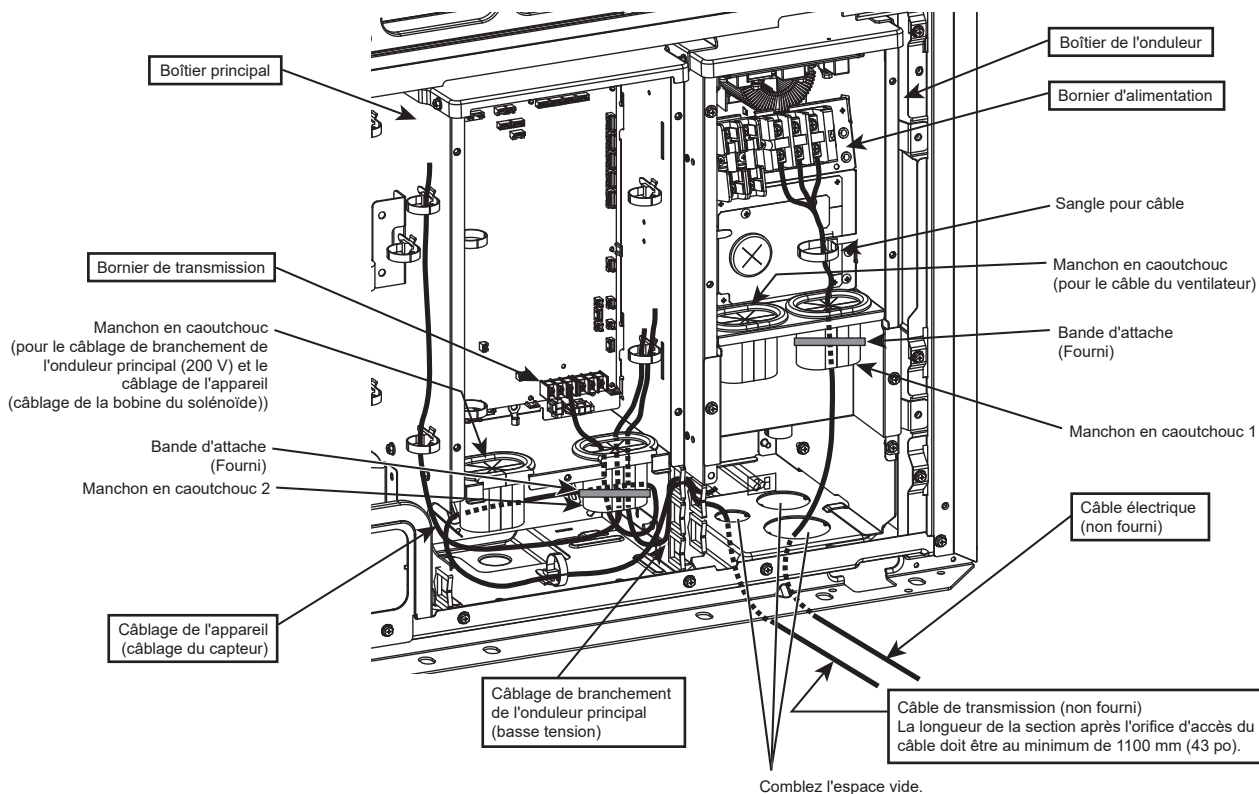
<Note>

- Ne déposez pas le fil de terre qui relie le boîtier principal et le boîtier de l'onduleur.
- Installer le câble de transmission comme montré dans la figure ci-dessus de façon à ce que le câble soit assez long pour que le boîtier principal puisse être déplacé lors de l'entretien.
- S'il y a des interstices autour du câble électrique et du câble de transmission, veuillez vous assurer de les combler avec un matériau adapté pour éviter toute pénétration de neige susceptible d'endommager les pièces électriques et pour protéger vos mains, de sorte à ce qu'elles ne soient pas en contact direct avec les câbles.
- Lors du passage du câble électrique par le trou pré-percé sans utiliser un tube conducteur, ébavurez le trou et protégez le câble électrique avec du ruban de protection.
- Utilisez un tube conducteur pour rétrécir l'orifice si le risque existe que de petits animaux pénètrent dans l'appareil.
- À la sortie du conduit de la partie inférieure de l'appareil, calfeutrez l'ouverture autour du conduit pour éviter toute infiltration d'eau.

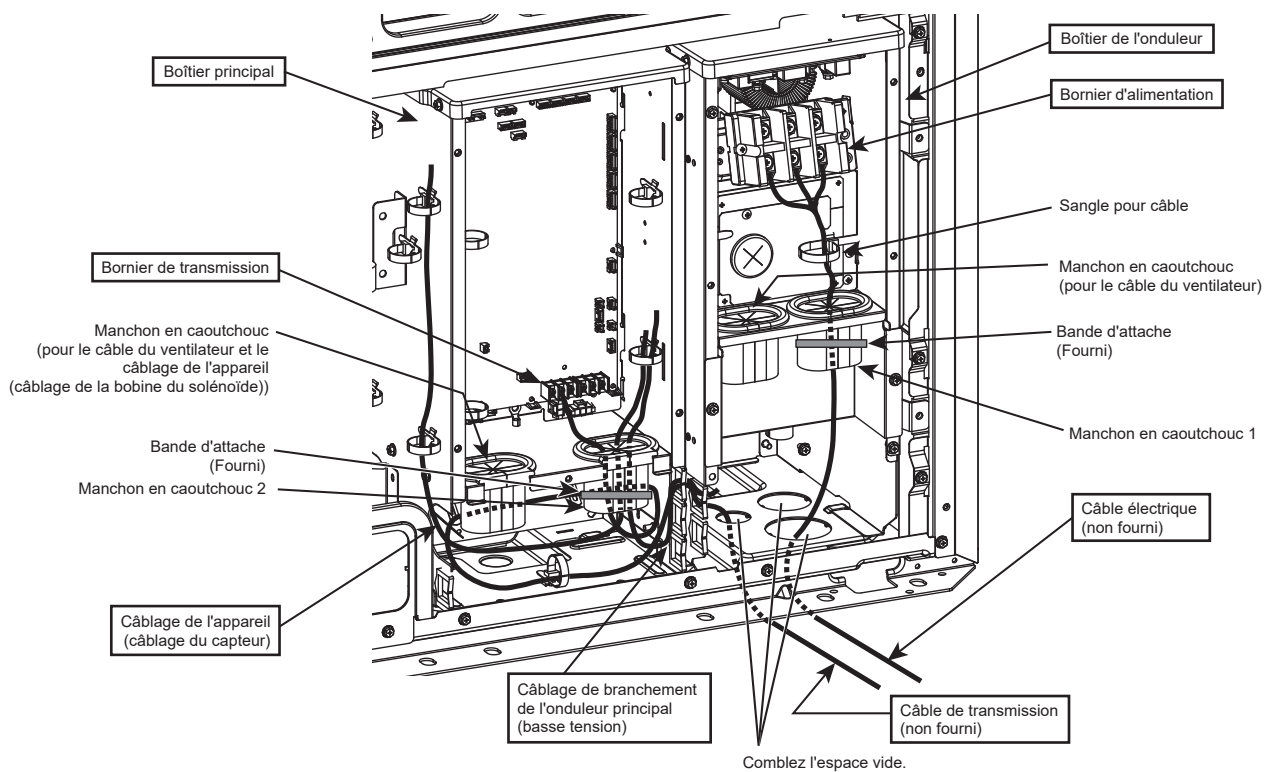
## 10-5-2. Fixer les câbles en place

Acheminer les câbles comme dans les figures ci-dessous.

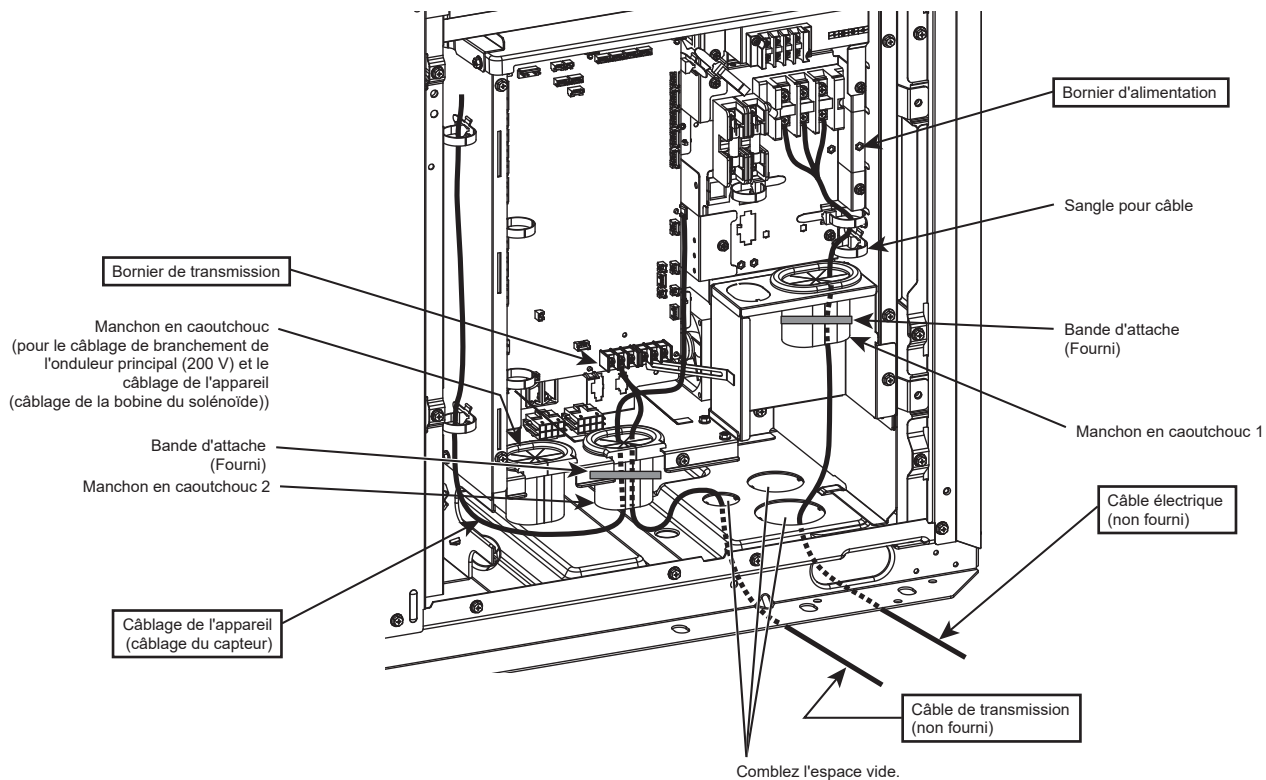
• (E)P72 YNU



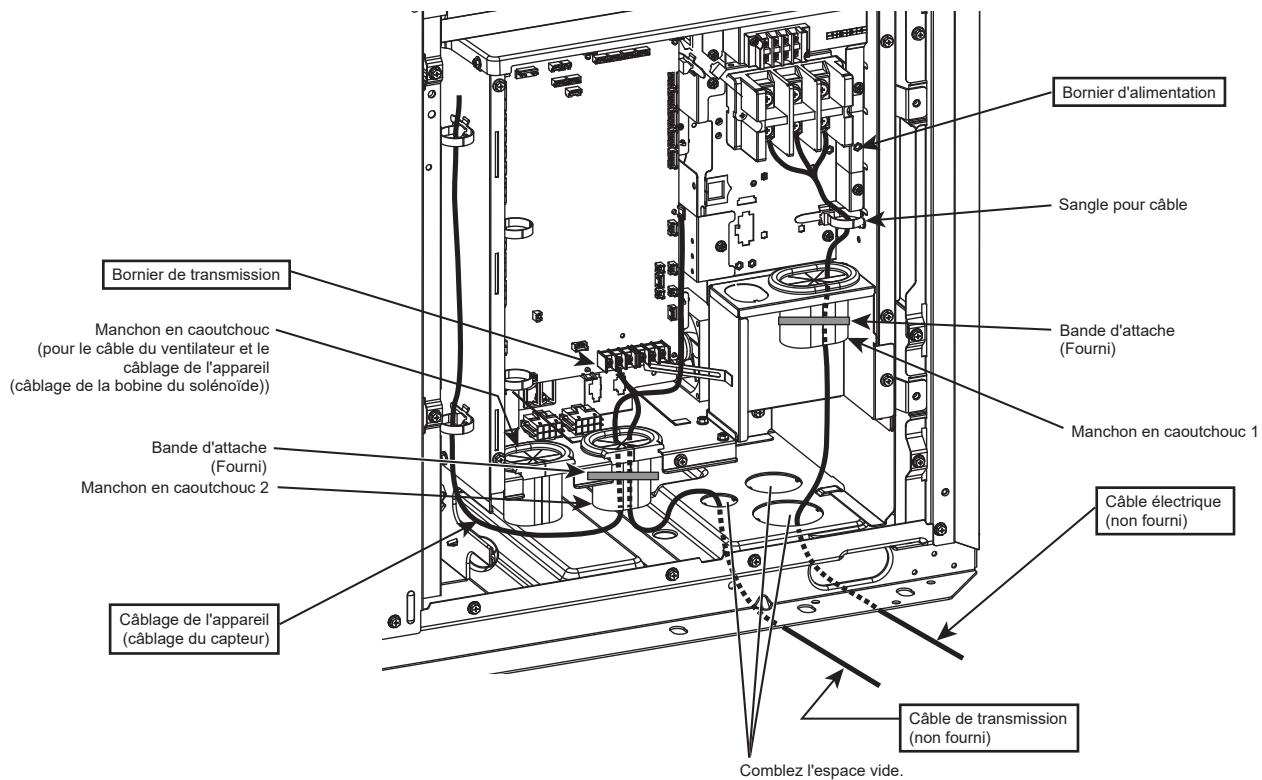
• (E)P72 TNU



• (E)P96 à 240 YNU



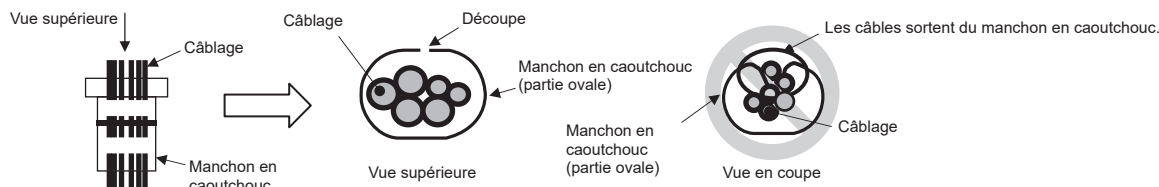
• (E)P96 à 240 TNU



Suivre la procédure ci-dessous.

- ① Insérez le câble électrique par le manchon en caoutchouc 1. (Voir \*1 et \*2 ci-dessous.)
- ② Insérez le câblage de l'appareil (câblage du capteur) et le câble de transmission dans le manchon en caoutchouc 2. (Voir \*1 et \*2 ci-dessous.)
- ③ Fixez le câble électrique et le câble de transmission en place à l'aide des sangles de câble.
- ④ Fixez chaque manchon en caoutchouc à l'aide de la bande d'attache fournie. (Voir \*3 ci-dessous.)

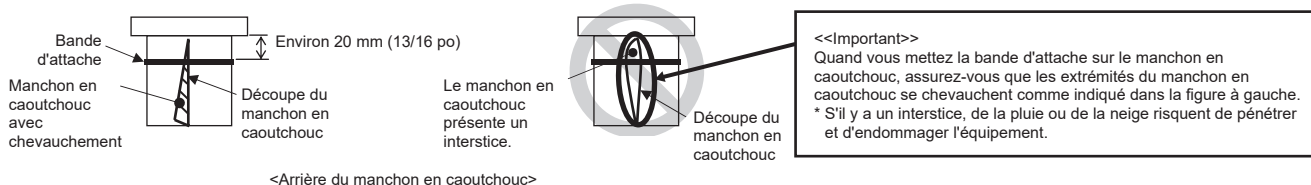
\*1 Assurez-vous que les câbles ne sortent pas de l'entaille du manchon en caoutchouc.



\*2 Quand vous insérez le câblage dans le manchon en caoutchouc, assurez-vous que ce dernier ne se détache pas de la tôle de protection du boîtier de commande.

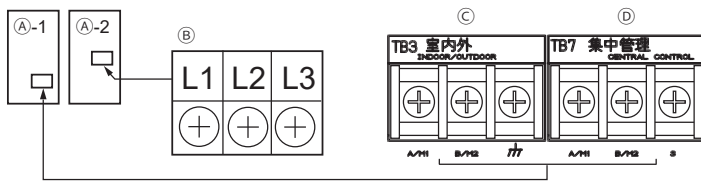


\*3 Quand vous attachez la bande d'attache fournie autour du manchon en caoutchouc, assurez-vous de ne laisser aucun interstice entre les extrémités.



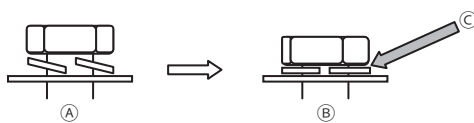
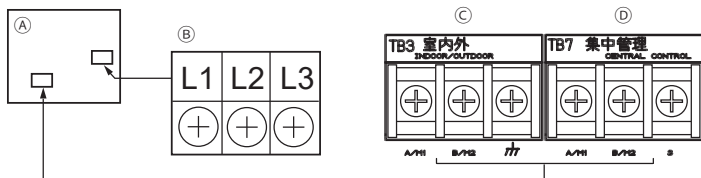
### 10-5-3. Raccorder les câbles

(E)P72

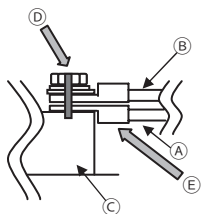


- Ⓐ Boîtier de commande
- Ⓑ Bornier d'alimentation (TB1)
- Ⓒ Bornier pour le câble de transmission intérieur-extérieur (TB3)
- Ⓓ Bornier pour le câble de transmission de commande centralisée (TB7)

(E)P96 à 240



- Ⓐ Bornier avec vis desserrées
- Ⓑ Bornier installé correctement
- Ⓒ Les rondelles élastiques doivent être parallèles au bornier.



- Ⓐ Câbles électriques, câbles de transmission
- Ⓑ En série (câbles de transmission uniquement)
- Ⓒ Borniers (TB1, TB3, TB7)
- Ⓓ Faites une marque d'alignement.
- Ⓔ Installez les bornes à anneau dos à dos.

<Note>

- Raccordez respectivement les câbles au bornier d'alimentation et au bornier de transmission. Une mauvaise connexion empêche le système de fonctionner.
- Ne raccordez jamais le câble électrique au bornier de transmission. En cas de raccordement, des pièces électriques seront endommagées.
- Les câbles de transmission doivent être séparés de (5 cm (2 po) ou plus) du câble électrique afin qu'ils ne soient pas influencés par le bruit électrique provenant du câble d'alimentation. (Ne mettez pas les câbles de transmission et le câble électrique dans le même conduit.)
- Respectez le couple de serrage pour chaque type de vis comme indiqué ci-dessous. Faites attention à ne pas utiliser un couple excessif car cela peut endommager la vis.  
Bornier (TB1, TNU (vis M8): 10–13,5 [N·m], YNU (vis M6)): 2,5–2,9 [N·m]  
Bornier (TB3, TB7 (vis M3,5)): 0,82–1,0 [N·m]
- Lors du serrage des vis, ne poussez pas fortement la goupille afin d'éviter d'endommager la vis.
- Faites une marque d'alignement avec un marqueur indélébile sur la tête de la vis, la rondelle et le bornier après avoir serré les vis.

Suivre la procédure ci-dessous pour connecter les câbles.

- ① Raccordez le câble de transmission intérieur-extérieur à TB3. Si plusieurs appareils extérieurs sont raccordés au même système réfrigérant, raccordez en série TB3 (M1, M2, terre) aux appareils extérieurs. Le câble de transmission intérieur-extérieur vers l'appareil intérieur doit être connecté au TB3 (M1, M2, terre) d'un seul des appareils extérieurs. Raccordez le blindage à la borne de terre.
- ② Raccordez les câbles de transmission de commande centralisée (entre le système de commande centralisée et les appareils extérieurs de différents systèmes réfrigérants) au TB7.  
Si plusieurs appareils extérieurs sont raccordés au même système réfrigérant, raccordez en série TB7 (M1, M2, S) sur tous les appareils extérieurs.\*1 Raccordez le blindage à la borne S.  
\*1 Si les TB7 des appareils extérieurs dans le même système frigorifique ne sont pas raccordés en série, raccordez le câble de transmission de commande centralisée à TB7 sur l'OC. Si l'OC est en panne ou si la commande centralisée est exploitée pendant une interruption d'alimentation, raccordez en série TB7 sur l'OC et l'OS. (Si l'appareil extérieur dont le cavalier d'alimentation CN41 sur le panneau de commande a été remplacé par un CN40 est en panne ou si l'alimentation est coupée, la commande centralisée n'est pas exploitable, même si TB7 est raccordé en série.)
- ③ Si une alimentation électrique n'est pas raccordée au câble de transmission de commande centralisée, déplacez le cavalier d'alimentation de CN41 à CN40 sur un seul des appareils extérieurs (hormis modèle TNU). Lorsque le contrôleur système est connecté à TB7 et que le modèle d'unité extérieure TNU est utilisé, connectez une alimentation électrique à TB7. Si vous ne pouvez pas utiliser l'alimentation électrique, reliez le contrôleur système à TB3. Il est possible de relier jusqu'à trois contrôleurs système à TB3.
- ④ Sur l'appareil extérieur dont le cavalier d'alimentation a été déplacé de CN41 à CN40, court-circuitez la borne S et la borne de mise à la terre.
- ⑤ Raccordez les bornes M1 et M2 du bornier de transmission de l'appareil intérieur qui possède l'adresse la plus basse dans le groupe au bornier de la commande à distance.
- ⑥ Si un contrôleur de système est raccordé, passez le SW5-1 de tous les appareils extérieurs à ON (ACTIVÉ).
- ⑦ Attachez solidement les câbles en place à l'aide de la sangle de câble sous le bornier.



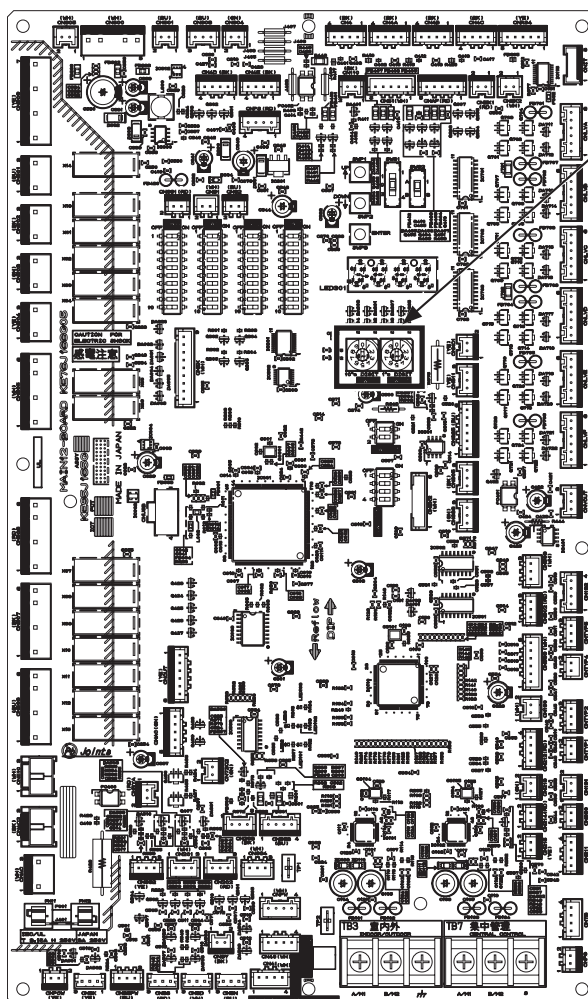
## 10-6. Définition de l'adresse

- Réglez le commutateur d'adresses comme indiqué ci-dessous.

		Méthode de définition de l'adresse	Adresse
Appareil intérieur (principal, secondaire)		Affectez l'adresse la plus basse à l'appareil intérieur principal du groupe et affectez des adresses séquentielles au reste des appareils intérieurs dans le même groupe. * Dans un système R2 avec un sous-contrôleur BC, faites les réglages des appareils intérieurs dans l'ordre suivant. (Définissez les adresses afin que les adresses de ① soient plus petites que celles de ②, et que les adresses de ② soient plus petites que celles de ③.) ① Appareils intérieurs raccordés au contrôleur BC principal ou au contrôleur HBC principal ② Appareils intérieurs raccordés au sous-contrôleur BC 1 ③ Appareils intérieurs raccordés au sous-contrôleur BC 2	01 à 50
Appareil extérieur (OC, OS)		Affectez des adresses séquentielles aux appareils extérieurs dans le même système réfrigérant. * Pour définir l'adresse à 100, le commutateur de réglage d'adresse doit être défini à 50.	51 à 100
Contrôleur BC	Principal	Attribuez une adresse égale à l'adresse de l'appareil extérieur plus 1. Si l'adresse attribuée au contrôleur BC principal se chevauche avec les adresses affectées aux appareils extérieurs ou au sous-contrôleur BC, utilisez une autre adresse non utilisée dans la plage de réglage. * Pour définir l'adresse à 100, le commutateur de réglage d'adresse doit être défini à 50.	51 à 100
	Secondaire	Affectez une adresse égale à la plus petite adresse des appareils intérieurs raccordés au sous-contrôleur BC plus 50. * Pour définir l'adresse à 100, le commutateur de réglage d'adresse doit être défini à 50.	51 à 100
Commande à distance ME	Principal	Affectez une adresse égale à l'adresse de l'appareil intérieur principal dans le groupe plus 100.	101 à 150
	Secondaire	Affectez une adresse égale à l'adresse de l'appareil intérieur principal dans le groupe plus 150.	151 à 200
Commande à distance MA		Le réglage de l'adresse n'est pas nécessaire. (La définition Principal/Secondaire est nécessaire.)	—

\* Les appareils extérieurs dans le même circuit réfrigérant sont automatiquement désignés OC et OS. Les appareils extérieurs sont désignés OC et OS par ordre de capacité d'importante à faible (si deux appareils ou plus ont la même capacité, dans l'ordre de l'adresse de la plus petite à la plus grande).

\* Faites les réglages de groupes d'appareils intérieurs depuis les télécommandes après avoir mis sous tension tous les appareils.



Commutateur de réglage d'adresse  
(appareils extérieurs)

# 11. Essai de fonctionnement

---

## 11-1. Avant un test

### ATTENTION

**Une fois que le câblage a été effectué, mesurez la résistance d'isolement en vous assurant qu'elle est au moins d'1 MΩ.**

- À défaut, ceci peut provoquer une fuite de courant, un dysfonctionnement ou un incendie.

---

**Mettez sous tension pendant au moins 12 heures avant de mettre en route. Laissez l'alimentation électrique sous tension pendant la saison d'exploitation.**

- Une alimentation insuffisante entraînera des dysfonctionnements.

- Avant d'effectuer un test, coupez l'alimentation électrique de l'appareil extérieur et débranchez le câble électrique du bornier d'alimentation électrique pour mesurer la résistance d'isolement.
- Mesurez la résistance d'isolement entre le bornier d'alimentation et la terre à l'aide d'un ohmmètre 500 V et assurez-vous qu'elle est d'au moins 1 MΩ.
- Si la résistance d'isolement est supérieure ou égale à 1 MΩ, raccordez le câble électrique à la borne d'alimentation et mettez sous tension au moins 12 heures avant de commencer l'utilisation. Si la résistance d'isolement est inférieure à 1 MΩ, n'utilisez pas l'appareil et contrôlez la présence d'un défaut de mise à la terre sur le compresseur.
- Quand l'appareil est mis sous tension, le compresseur reste alimenté même s'il est arrêté.
- La résistance d'isolement entre le bornier d'alimentation et la terre peut baisser jusqu'à presque 1 MΩ immédiatement après l'installation ou si l'alimentation principale de l'appareil a été coupée pendant une longue période en raison de la stagnation de réfrigérant dans le compresseur.
- En mettant en service l'alimentation principale et en alimentant l'appareil pendant 12 heures ou plus, le réfrigérant du compresseur s'évaporerait et la résistance d'isolement augmenterait.
- N'appliquez pas une tension d'ohmmètre au bornier des câbles de transmission. À défaut, ceci endommagera la carte de commande.
- Ne mesurez pas la résistance d'isolement du bornier de transmission de la commande à distance de l'appareil.
- Vérifiez les fuites de réfrigérant ainsi que les câbles électriques et les câbles de transmission desserrés.
- Vérifiez que les soupapes de service côté haute pression et côté basse pression sont complètement ouvertes. Serrez les capuchons de soupapes.
- Vérifiez l'ordre de phase de l'alimentation électrique et la tension d'interphase. Si la tension est en dehors de la plage de  $\pm 10\%$  ou si le déséquilibre de la tension est supérieur à 2 %, discutez de la contre-mesure avec le client.
- Si un amplificateur de transmission est raccordé, mettez en marche l'amplificateur de transmission avant de mettre en marche l'appareil extérieur. Si l'appareil extérieur est mis en marche en premier, l'information de raccordement du circuit réfrigérant ne sera pas vérifiée correctement. Si l'appareil extérieur est mis en marche en premier, mettez en marche l'amplificateur de transmission puis réinitialisez l'alimentation de l'appareil extérieur.
- Si une alimentation électrique est raccordée au câble de transmission de commande centralisée ou si l'alimentation provient d'un contrôleur de système avec une fonction d'alimentation électrique, effectuez un essai avec l'alimentation électrique active. Laissez le cavalier d'alimentation raccordé sur CN41.
- Si l'alimentation est mise en service ou après un rétablissement de l'alimentation, les performances peuvent être dégradées pendant environ 30 minutes.



## 11-2. Réglage de fonction

Effectuez des réglages de fonction en réglant les commutateurs DIP SW4, SW6 et SWP3 sur la carte principale.

Notez la configuration des commutateurs sur l'étiquette du diagramme de câblage électrique sur le panneau avant du boîtier de commande pour consultation ultérieure si le boîtier de commande doit être remplacé.

- Suivez les étapes suivantes pour configurer l'unité de température (°C ou °F).

- ① Réglez le 10ème bit de SW6 sur ACTIVÉ.
- ② Réglez SW4 comme indiqué dans la table ci-dessous pour sélectionner le paramètre de réglage N° 921. (Le numéro du paramètre de réglage est affiché sur l'écran LED1.)
- ③ Appuyez sur SWP3 pendant deux secondes ou plus pour modifier les paramètres. (Les paramètres peuvent être vérifiés sur l'écran LED3.)

	N° du point de réglage.	SW4 0 : DÉSACTIVÉ, 1 : ACTIVÉ *1										Réglage (écran LED3) *2	
		1	2	3	4	5	6	7	8	9	10	Non éclairé	Éclairé
Réglage de l'unité de température	921	1	0	0	1	1	0	0	1	1	1	°C	°F

\*1 Effectuez le réglage SW4 une fois que l'appareil est alimenté.

\*2 Il clignotera lors du démarrage du système.

- Effectuez différents réglages de fonction en réglant SW5 et SW6 en vous basant sur la table ci-dessous.

	Contenu du réglage	Réglage		Moment du réglage du commutateur
		DÉSACTIVÉ	ACTIVÉ	
SW5-1	Commutateur de commande centralisée	Sans connexion au contrôleur centralisé	Avec connexion au contrôleur centralisé	Avant d'être alimenté
SW5-2	Suppression des informations de connexion	Commande normale	Suppression	Avant d'être alimenté
SW5-3	–	Préréglé avant expédition		–
SW5-4	–			–
SW5-5	–			–
SW5-6	–			–
SW5-7	–			–
SW5-8	–			–

	Contenu du réglage	Réglage		Moment du réglage du commutateur
		DÉSACTIVÉ	ACTIVÉ	
SW6-1	–	–	–	–
SW6-2	–	–	–	–
SW6-3	–	–	–	–
SW6-4	Réglage haute pression statique	Se référer à *1.	Se référer à *1.	Avant d'être alimenté
SW6-5				
SW6-6	–	–	–	–
SW6-7	Sélection du mode silencieux	Priorité à la performance	Priorité à l'absence de bruit	À tout moment après avoir été alimenté
SW6-8	Sélection mode silencieux ou demande	Mode silencieux (nuit)	Demande	Avant d'être alimenté
SW6-9	Sélection Affichage diagnostic ou Configuration détaillée	Se référer à *2.	Se référer à *2.	À tout moment après avoir été alimenté
SW6-10				

\* Ne modifiez pas les réglages d'usine des commutateurs SW5-3 à SW5-8.

\* Sauf indication contraire, laissez l'interrupteur sur DÉSACTIVÉ quand l'indication est « – », qui peut être réglé à DÉSACTIVÉ pour une raison donnée.

\*1

	SW6-5: ACTIVÉ	SW6-5: DÉSACTIVÉ
SW6-4: ACTIVÉ	80 Pa	60 Pa
SW6-4: DÉSACTIVÉ	30 Pa	0 Pa

\*2

	SW6-10: ACTIVÉ	SW6-10: DÉSACTIVÉ
SW6-9: ACTIVÉ	LED (type rond) N° 0 à 1023	LED (7 seg) N° 1024 à 2047
SW6-9: DÉSACTIVÉ	Réglage de fonction N° 0 à 1023	LED (7 seg) N° 0 à 1023

## 11-3. Caractéristiques de fonctionnement liées à la charge réfrigérante

Il est important de disposer d'une compréhension claire des caractéristiques du réfrigérant et des caractéristiques de fonctionnement des climatiseurs d'air avant d'essayer d'ajuster la charge réfrigérante dans un système donné.

- Pendant le fonctionnement du refroidissement, la quantité de réfrigérant dans l'accumulateur est la plus réduite quand tous les appareils intérieurs fonctionnent.
- Pendant le fonctionnement du chauffage, la quantité de réfrigérant dans l'accumulateur est la plus élevée quand tous les appareils intérieurs fonctionnent.
- Une sous-charge de réfrigérant a tendance à augmenter la température de refoulement.
- Changer la quantité de réfrigérant dans le système alors qu'il y a du réfrigérant dans l'accumulateur a un faible effet sur la température de refoulement.
- Plus le niveau de haute pression est élevé, plus il est probable que la température de refoulement augmente.
- Plus le niveau de basse pression est réduit, plus il est probable que la température de refoulement augmente.
- Si la quantité de réfrigérant dans le système est correcte, la température de l'enveloppe du compresseur est 10 à 60 °C (50 à 140 °F) plus élevée que la température de saturation à basse pression. Si la différence de température entre la température de l'enveloppe du compresseur et la température de saturation à basse pression est inférieure ou égale à 5 °C (41 °F), une surcharge de réfrigérant est suspectée.

## 11-4. Contrôle du fonctionnement

Les symptômes suivants sont normaux et n'indiquent pas un problème.

Événement	Affichage de la télécommande	Cause
L'ailette automatique modifie automatiquement la direction du flux d'air.	Affichage normal	Il se peut que l'ailette automatique passe automatiquement en mode flux d'air horizontal en mode de refroidissement après un fonctionnement en mode flux d'air vertical pendant une heure. En phase de dégivrage en mode de chauffage, ou immédiatement après la mise en service/l'arrêt du chauffage, l'ailette automatique passe automatiquement en mode flux d'air horizontal pendant une courte période.
La vitesse du ventilateur change automatiquement pendant le fonctionnement du chauffage.	Affichage normal	Le ventilateur fonctionne à très faible vitesse quand le thermostat est désactivé et commute automatiquement sur la vitesse présélectionnée en fonction du réglage de la minuterie ou de la température du réfrigérant quand le thermostat est activé.
Le ventilateur s'arrête pendant le fonctionnement du chauffage.	« Defrost (Dégivrage) »	Le ventilateur reste arrêté pendant le cycle de dégivrage.
Le ventilateur continue à fonctionner après l'arrêt de l'appareil.	Pas d'affichage	Après l'arrêt de l'appareil pendant le fonctionnement du chauffage, le ventilateur fonctionne pendant une minute pour évacuer la chaleur.
Au début du fonctionnement du chauffage, le ventilateur ne peut pas être réglé manuellement.	« Stand By (Veille) »	Le ventilateur fonctionne à très faible vitesse pendant cinq minutes après le démarrage du fonctionnement du chauffage ou jusqu'à ce que la température du réfrigérant atteigne 35 °C (95 °F), puis le ventilateur fonctionne à faible vitesse pendant deux minutes, enfin le ventilateur fonctionne à la vitesse présélectionnée.
Si l'alimentation principale est mise en service, l'affichage indiqué à droite apparaît sur le contrôleur à distance pendant environ cinq minutes.	« HO » ou « PLEASE WAIT (VEUILLEZ PATIENTER) » clignote.	Le système démarre. Attendez jusqu'à ce que « HO » ou « PLEASE WAIT (VEUILLEZ PATIENTER) » arrête de clignoter et s'éteigne puis réessayez.
La pompe d'évacuation continue à fonctionner après l'arrêt de l'appareil.	Pas d'affichage	La pompe d'évacuation continue à fonctionner pendant trois minutes après que l'appareil en mode refroidissement s'est arrêté. La pompe d'évacuation commence à fonctionner si de l'eau d'évacuation est détectée, même si l'appareil est arrêté.
L'appareil intérieur émet un bruit en commutant du chauffage au refroidissement et vice-versa.	Affichage normal	Ceci est un bruit de fonctionnement normal du circuit frigorifique.
Immédiatement après le démarrage, l'appareil intérieur émet le bruit du liquide en train de s'écouler.	Affichage normal	Le flux instable du fluide de chauffage produit un bruit. Ceci est provisoire et n'implique pas l'existence d'un problème.
Dans un court laps de temps après l'arrêt de l'appareil extérieur, l'appareil émet un dé clic.	Pas d'affichage	Après l'arrêt de l'appareil et avant que l'appareil effectue une égalisation de la pression, la différence de pression diminue temporairement et le clapet anti-retour peut vibrer et émettre un son. Cette situation est temporaire et ne comporte pas de problèmes.
L'eau d'évacuation sort de l'appareil extérieur par la partie basse de l'échangeur de chaleur.	Pas d'affichage	Ceci assure un écoulement approprié de l'eau d'évacuation dans le cas où cette dernière gèle et reste dans l'appareil extérieur durant une opération de chauffage à une température ambiante basse.

## 12. Inspection et maintenance

### AVERTISSEMENT

**Seul du personnel qualifié peut réimplanter ou réparer l'appareil. N'essayez pas de démonter ou de modifier l'appareil.**

- À défaut, ceci provoquera une fuite de réfrigérant, une fuite d'eau, des blessures graves, une décharge électrique ou un incendie.
- Quand l'appareil est mis sous tension, le compresseur reste alimenté même s'il est arrêté. Avant d'inspecter l'intérieur de la boîte de commande, coupez le courant, laissez l'appareil hors circuit pendant au moins 10 minutes, et vérifiez que la tension du condensateur (circuit principal de l'inverseur) est descendue à 20 V CC ou moins. (La décharge de l'électricité prend environ 10 minutes une fois que l'alimentation électrique est coupée)
- Les boîtiers de commande abritent les pièces électriques à haute tension et à haute température. Ils peuvent rester alimentés ou chauds après que l'alimentation a été coupée.
- Exécutez ce service après avoir débranché les connecteurs (RYFAN1 et RYFAN2).  
(Pour brancher ou débrancher les connecteurs, vérifiez que le ventilateur de l'appareil extérieur ne tourne pas et que la tension du condensateur dans le circuit principal est inférieure ou égale à 20 V CC. Le condensateur peut collecter une charge et entraîner un choc électrique lorsque le ventilateur de l'appareil extérieur fonctionne par temps venteux. Consultez la plaque signalétique du câblage pour plus de détails.)  
Reconnectez les connecteurs (RYFAN1 et RYFAN2) après l'entretien.
- Les composants de l'appareil peuvent être endommagés après une longue utilisation de l'appareil, entraînant une baisse de performances ou un risque de sécurité sur l'appareil. Pour utiliser l'appareil en toute sécurité et prolonger sa durée de vie, il est recommandé de signer un contrat de maintenance avec un revendeur ou du personnel qualifié. Si le contrat est signé, des techniciens de service inspecteront périodiquement l'appareil pour identifier les dommages à un stade précoce et prendre des mesures appropriées.
- Veuillez contacter le bureau de vente MITSUBISHI ELECTRIC local pour en savoir plus sur les intervalles d'entretien et sur les recommandations concernant les tâches à réaliser.
- Lorsque l'appareil extérieur est installée sur la feuille imperméable, cette dernière peut devenir sale en raison des composants en cuivre exfiltrés de l'unité. Dans ce cas, l'installation d'un bac d'évacuation pour est recommandée pour l'écoulement centralisé.

# 13. Informations de la plaque signalétique

## (1) Modèles TNU

Modèle	PURY-P72TNU-A(-BS)	PURY-P96TNU-A(-BS)	PURY-P120TNU-A(-BS)	PURY-P144TNU-A(-BS)	PURY-P168TNU-A(-BS)
Combinaison d'appareils	–	–	–	–	–
Frigorigène (R410A)	5,2 kg [11 lb 7 oz]	8,0 kg [17 lb 10 oz]	8,0 kg [17 lb 10 oz]	10,8 kg [23 lb 12 oz]	10,8 kg [23 lb 12 oz]
Pression admissible (Ps)	HP : 4,15 MPa [601 psi], BP : 2,21 MPa [320 psi]				
Poids net	219 kg [483 lb]	261 kg [576 lb]	271 kg [598 lb]	293 kg [646 lb]	335 kg [739 lb]

Modèle	PURY-P192TSNU-A(-BS)		PURY-P216TSNU-A(-BS)	
Combinaison d'appareils	PURY-P96TNU-A(-BS)	PURY-P96TNU-A(-BS)	PURY-P120TNU-A(-BS)	PURY-P96TNU-A(-BS)
Frigorigène (R410A)	8,0 kg [17 lb 10 oz]	8,0 kg [17 lb 10 oz]	8,0 kg [17 lb 10 oz]	8,0 kg [17 lb 10 oz]
Pression admissible (Ps)	HP : 4,15 MPa [601 psi], BP : 2,21 MPa [320 psi]			
Poids net	261 kg [576 lb]	261 kg [576 lb]	271 kg [598 lb]	261 kg [576 lb]

Modèle	PURY-P240TSNU-A(-BS)		PURY-P264TSNU-A(-BS)	
Combinaison d'appareils	PURY-P120TNU-A(-BS)	PURY-P120TNU-A(-BS)	PURY-P144TNU-A(-BS)	PURY-P120TNU-A(-BS)
Frigorigène (R410A)	8,0 kg [17 lb 10 oz]	8,0 kg [17 lb 10 oz]	10,8 kg [23 lb 12 oz]	8,0 kg [17 lb 10 oz]
Pression admissible (Ps)	HP : 4,15 MPa [601 psi], BP : 2,21 MPa [320 psi]			
Poids net	271 kg [598 lb]	271 kg [598 lb]	293 kg [646 lb]	271 kg [598 lb]

Modèle	PURY-P288TSNU-A(-BS)		PURY-P312TSNU-A(-BS)	
Combinaison d'appareils	PURY-P144TNU-A(-BS)	PURY-P144TNU-A(-BS)	PURY-P168TNU-A(-BS)	PURY-P144TNU-A(-BS)
Frigorigène (R410A)	10,8 kg [23 lb 12 oz]	10,8 kg [23 lb 12 oz]	10,8 kg [23 lb 12 oz]	10,8 kg [23 lb 12 oz]
Pression admissible (Ps)	HP : 4,15 MPa [601 psi], BP : 2,21 MPa [320 psi]			
Poids net	293 kg [646 lb]	293 kg [646 lb]	335 kg [739 lb]	293 kg [646 lb]

Modèle	PURY-P336TSNU-A(-BS)	
Combinaison d'appareils	PURY-P168TNU-A(-BS)	PURY-P168TNU-A(-BS)
Frigorigène (R410A)	10,8 kg [23 lb 12 oz]	10,8 kg [23 lb 12 oz]
Pression admissible (Ps)	HP : 4,15 MPa [601 psi], BP : 2,21 MPa [320 psi]	
Poids net	335 kg [739 lb]	335 kg [739 lb]

Modèle	PURY-EP72TNU-A(-BS)	PURY-EP96TNU-A(-BS)	PURY-EP120TNU-A(-BS)	PURY-EP144TNU-A(-BS)	PURY-EP168TNU-A(-BS)
Combinaison d'appareils	–	–	–	–	–
Frigorigène (R410A)	5,2 kg [11 lb 7 oz]	8,0 kg [17 lb 10 oz]	8,0 kg [17 lb 10 oz]	10,8 kg [23 lb 12 oz]	10,8 kg [23 lb 12 oz]
Pression admissible (Ps)	HP : 4,15 MPa [601 psi], BP : 2,21 MPa [320 psi]				
Poids net	235 kg [519 lb]	278 kg [613 lb]	282 kg [622 lb]	308 kg [680 lb]	352 kg [777 lb]

Modèle	PURY-EP192TNU-A(-BS)	PURY-EP192TSNU-A(-BS)		PURY-EP216TNU-A(-BS)
Combinaison d'appareils	–	PURY-EP96TNU-A(-BS)	PURY-EP96TNU-A(-BS)	–
Frigorigène (R410A)	11,8 kg [26 lb 1 oz]	8,0 kg [17 lb 10 oz]	8,0 kg [17 lb 10 oz]	11,8 kg [26 lb 1 oz]
Pression admissible (Ps)	HP : 4,15 MPa [601 psi], BP : 2,21 MPa [320 psi]			
Poids net	402 kg [887 lb]	278 kg [613 lb]	278 kg [613 lb]	402 kg [887 lb]

Modèle	PURY-EP216TSNU-A(-BS)		PURY-EP240TNU-A(-BS)	PURY-EP240TSNU-A(-BS)	
Combinaison d'appareils	PURY-EP120TNU-A(-BS)	PURY-EP96TNU-A(-BS)	–	PURY-EP120TNU-A(-BS)	PURY-EP120TNU-A(-BS)
Frigorigène (R410A)	8,0 kg [17 lb 10 oz]	8,0 kg [17 lb 10 oz]	11,8 kg [26 lb 1 oz]	8,0 kg [17 lb 10 oz]	8,0 kg [17 lb 10 oz]
Pression admissible (Ps)	HP : 4,15 MPa [601 psi], BP : 2,21 MPa [320 psi]				
Poids net	282 kg [622 lb]	278 kg [613 lb]	402 kg [887 lb]	282 kg [622 lb]	282 kg [622 lb]

Modèle	PURY-EP264TSNU-A(-BS)		PURY-EP288TSNU-A(-BS)	
Combinaison d'appareils	PURY-EP144TNU-A(-BS)	PURY-EP120TNU-A(-BS)	PURY-EP144TNU-A(-BS)	PURY-EP144TNU-A(-BS)
Frigorigène (R410A)	10,8 kg [23 lb 12 oz]	8,0 kg [17 lb 10 oz]	10,8 kg [23 lb 12 oz]	10,8 kg [23 lb 12 oz]
Pression admissible (Ps)	HP : 4,15 MPa [601 psi], BP : 2,21 MPa [320 psi]			
Poids net	308 kg [680 lb]	282 kg [622 lb]	308 kg [680 lb]	308 kg [680 lb]

Modèle	PURY-EP312TSNU-A(-BS)		PURY-EP336TSNU-A(-BS)	
Combinaison d'appareils	PURY-EP168TNU-A(-BS)	PURY-EP144TNU-A(-BS)	PURY-EP168TNU-A(-BS)	PURY-EP168TNU-A(-BS)
Frigorigène (R410A)	10,8 kg [23 lb 12 oz]	10,8 kg [23 lb 12 oz]	10,8 kg [23 lb 12 oz]	10,8 kg [23 lb 12 oz]
Pression admissible (Ps)	HP : 4,15 MPa [601 psi], BP : 2,21 MPa [320 psi]			
Poids net	352 kg [777 lb]	308 kg [680 lb]	352 kg [777 lb]	352 kg [777 lb]

Modèle	PURY-EP384TSNU-A(-BS)		PURY-EP432TSNU-A(-BS)	
Combinaison d'appareils	PURY-EP192TNU-A(-BS)	PURY-EP192TNU-A(-BS)	PURY-EP216TNU-A(-BS)	PURY-EP216TNU-A(-BS)
Frigorigène (R410A)	11,8 kg [26 lb 1 oz]	11,8 kg [26 lb 1 oz]	11,8 kg [26 lb 1 oz]	11,8 kg [26 lb 1 oz]
Pression admissible (Ps)	HP : 4,15 MPa [601 psi], BP : 2,21 MPa [320 psi]			
Poids net	402 kg [887 lb]	402 kg [887 lb]	402 kg [887 lb]	402 kg [887 lb]

(2) Modèles YNU

Modèle	PURY-P72YNU-A(-BS)	PURY-P96YNU-A(-BS)	PURY-P120YNU-A(-BS)	PURY-P144YNU-A(-BS)	PURY-P168YNU-A(-BS)
Combinaison d'appareils	–	–	–	–	–
Frigorigène (R410A)	5,2 kg [11 lb 7 oz]	8,0 kg [17 lb 10 oz]	8,0 kg [17 lb 10 oz]	10,8 kg [23 lb 12 oz]	10,8 kg [23 lb 12 oz]
Pression admissible (Ps)	HP : 4,15 MPa [601 psi], BP : 2,21 MPa [320 psi]				
Poids net	234 kg [516 lb]	277 kg [611 lb]	287 kg [633 lb]	309 kg [682 lb]	351 kg [774 lb]

Modèle	PURY-P192YSNU-A(-BS)		PURY-P216YSNU-A(-BS)	
Combinaison d'appareils	PURY-P96YNU-A(-BS)	PURY-P96YNU-A(-BS)	PURY-P120YNU-A(-BS)	PURY-P96YNU-A(-BS)
Frigorigène (R410A)	8,0 kg [17 lb 10 oz]	8,0 kg [17 lb 10 oz]	8,0 kg [17 lb 10 oz]	8,0 kg [17 lb 10 oz]
Pression admissible (Ps)	HP : 4,15 MPa [601 psi], BP : 2,21 MPa [320 psi]			
Poids net	277 kg [611 lb]	277 kg [611 lb]	287 kg [633 lb]	277 kg [611 lb]

Modèle	PURY-P240YSNU-A(-BS)		PURY-P264YSNU-A(-BS)	
Combinaison d'appareils	PURY-P120YNU-A(-BS)	PURY-P120YNU-A(-BS)	PURY-P144YNU-A(-BS)	PURY-P120YNU-A(-BS)
Frigorigène (R410A)	8,0 kg [17 lb 10 oz]	8,0 kg [17 lb 10 oz]	10,8 kg [23 lb 12 oz]	8,0 kg [17 lb 10 oz]
Pression admissible (Ps)	HP : 4,15 MPa [601 psi], BP : 2,21 MPa [320 psi]			
Poids net	287 kg [633 lb]	287 kg [633 lb]	309 kg [682 lb]	287 kg [633 lb]

Modèle	PURY-P288YSNU-A(-BS)		PURY-P312YSNU-A(-BS)	
Combinaison d'appareils	PURY-P144YNU-A(-BS)	PURY-P144YNU-A(-BS)	PURY-P168YNU-A(-BS)	PURY-P144YNU-A(-BS)
Frigorigène (R410A)	10,8 kg [23 lb 12 oz]	10,8 kg [23 lb 12 oz]	10,8 kg [23 lb 12 oz]	10,8 kg [23 lb 12 oz]
Pression admissible (Ps)	HP : 4,15 MPa [601 psi], BP : 2,21 MPa [320 psi]			
Poids net	309 kg [682 lb]	309 kg [682 lb]	351 kg [774 lb]	309 kg [682 lb]

Modèle	PURY-P336YSNU-A(-BS)	
Combinaison d'appareils	PURY-P168YNU-A(-BS)	PURY-P168YNU-A(-BS)
Frigorigène (R410A)	10,8 kg [23 lb 12 oz]	10,8 kg [23 lb 12 oz]
Pression admissible (Ps)	HP : 4,15 MPa [601 psi], BP : 2,21 MPa [320 psi]	
Poids net	351 kg [774 lb]	351 kg [774 lb]

Modèle	PURY-EP72YNU-A(-BS)	PURY-EP96YNU-A(-BS)	PURY-EP120YNU-A(-BS)	PURY-EP144YNU-A(-BS)	PURY-EP168YNU-A(-BS)
Combinaison d'appareils	–	–	–	–	–
Frigorigène (R410A)	5,2 kg [11 lb 7 oz]	8,0 kg [17 lb 10 oz]	8,0 kg [17 lb 10 oz]	10,8 kg [23 lb 12 oz]	10,8 kg [23 lb 12 oz]
Pression admissible (Ps)	HP : 4,15 MPa [601 psi], BP : 2,21 MPa [320 psi]				
Poids net	250 kg [552 lb]	294 kg [649 lb]	298 kg [657 lb]	324 kg [715 lb]	366 kg [807 lb]

Modèle	PURY-EP192YNU-A(-BS)	PURY-EP192YSNU-A(-BS)		PURY-EP216YNU-A(-BS)
Combinaison d'appareils	–	PURY-EP96YNU-A(-BS)	PURY-EP96YNU-A(-BS)	–
Frigorigène (R410A)	11,8 kg [26 lb 1 oz]	8,0 kg [17 lb 10 oz]	8,0 kg [17 lb 10 oz]	11,8 kg [26 lb 1 oz]
Pression admissible (Ps)	HP : 4,15 MPa [601 psi], BP : 2,21 MPa [320 psi]			
Poids net	416 kg [918 lb]	294 kg [649 lb]	294 kg [649 lb]	416 kg [918 lb]

Modèle	PURY-EP216YSNU-A(-BS)		PURY-EP240YNU-A(-BS)	PURY-EP240YSNU-A(-BS)	
Combinaison d'appareils	PURY-EP120YNU-A(-BS)	PURY-EP96YNU-A(-BS)	–	PURY-EP120YNU-A(-BS)	PURY-EP120YNU-A(-BS)
Frigorigène (R410A)	8,0 kg [17 lb 10 oz]	8,0 kg [17 lb 10 oz]	11,8 kg [26 lb 1 oz]	8,0 kg [17 lb 10 oz]	8,0 kg [17 lb 10 oz]
Pression admissible (Ps)	HP : 4,15 MPa [601 psi], BP : 2,21 MPa [320 psi]				
Poids net	298 kg [657 lb]	294 kg [649 lb]	416 kg [918 lb]	298 kg [657 lb]	298 kg [657 lb]

Modèle	PURY-EP264YSNU-A(-BS)		PURY-EP288YSNU-A(-BS)	
Combinaison d'appareils	PURY-EP144YNU-A(-BS)	PURY-EP120YNU-A(-BS)	PURY-EP144YNU-A(-BS)	PURY-EP144YNU-A(-BS)
Frigorigène (R410A)	10,8 kg [23 lb 12 oz]	8,0 kg [17 lb 10 oz]	10,8 kg [23 lb 12 oz]	10,8 kg [23 lb 12 oz]
Pression admissible (Ps)	HP : 4,15 MPa [601 psi], BP : 2,21 MPa [320 psi]			
Poids net	324 kg [715 lb]	298 kg [657 lb]	324 kg [715 lb]	324 kg [715 lb]

Modèle	PURY-EP312YSNU-A(-BS)		PURY-EP336YSNU-A(-BS)	
Combinaison d'appareils	PURY-EP168YNU-A(-BS)	PURY-EP144YNU-A(-BS)	PURY-EP168YNU-A(-BS)	PURY-EP168YNU-A(-BS)
Frigorigène (R410A)	10,8 kg [23 lb 12 oz]	10,8 kg [23 lb 12 oz]	10,8 kg [23 lb 12 oz]	10,8 kg [23 lb 12 oz]
Pression admissible (Ps)	HP : 4,15 MPa [601 psi], BP : 2,21 MPa [320 psi]			
Poids net	366 kg [807 lb]	324 kg [715 lb]	366 kg [807 lb]	366 kg [807 lb]



Modèle	PURY-EP384YSNU-A(-BS)		PURY-EP432YSNU-A(-BS)	
Combinaison d'appareils	PURY-EP192YNU-A(-BS)	PURY-EP192YNU-A(-BS)	PURY-EP216YNU-A(-BS)	PURY-EP216YNU-A(-BS)
Frigorigène (R410A)	11,8 kg [26 lb 1 oz]	11,8 kg [26 lb 1 oz]	11,8 kg [26 lb 1 oz]	11,8 kg [26 lb 1 oz]
Pression admissible (Ps)	HP : 4,15 MPa [601 psi], BP : 2,21 MPa [320 psi]			
Poids net	416 kg [918 lb]	416 kg [918 lb]	416 kg [918 lb]	416 kg [918 lb]

# Contenido

<b>1. Precauciones de seguridad</b>	<b>2</b>
1-1. Precauciones generales	2
1-2. Precauciones para el transporte de la unidad	3
1-3. Precauciones para la instalación de la unidad	3
1-4. Precauciones para los trabajos de instalación de los tubos	4
1-5. Precauciones para el cableado eléctrico	4
1-6. Precauciones para reubicar o reparar la unidad	5
1-7. Precauciones adicionales	5
<b>2. Acerca del producto</b>	<b>8</b>
<b>3. Combinación de unidades exteriores</b>	<b>8</b>
<b>4. Especificaciones</b>	<b>9</b>
<b>5. Contenido del embalaje</b>	<b>12</b>
<b>6. Transporte de la unidad</b>	<b>13</b>
<b>7. Lugar de instalación</b>	<b>14</b>
7-1. Instalación de una unidad aislada	14
7-2. Instalación de varias unidades	15
<b>8. Trabajo de cimentación</b>	<b>17</b>
<b>9. Trabajos sobre los tubos de refrigerante</b>	<b>19</b>
9-1. Restricciones	19
9-2. Selección del tubo	21
9-3. Selección del kit de emparejamiento	21
9-4. Ejemplo de conexión de tubos	22
9-5. Conexiones de los tubos y funcionamiento de las válvulas	25
9-6. Prueba de estanqueidad	27
9-7. Aislamiento térmico para tubos	28
9-8. Evacuación del sistema	29
9-9. Carga adicional de refrigerante	30
<b>10. Trabajos eléctricos</b>	<b>36</b>
10-1. Antes de comenzar los trabajos eléctricos	36
10-2. Cables de alimentación y capacidad del dispositivo	36
10-3. Especificaciones del cable de control	39
10-4. Configuración del sistema	40
10-5. Conexiones de cables de la caja de control	42
10-6. Ajuste de la dirección	47
<b>11. Funcionamiento de prueba</b>	<b>48</b>
11-1. Antes de realizar una prueba de funcionamiento	48
11-2. Ajuste de función	49
11-3. Características de funcionamiento relacionadas con la carga de refrigerante	49
11-4. Comprobación de funcionamiento	50
<b>12. Inspección y mantenimiento</b>	<b>50</b>
<b>13. Información en la placa de datos técnicos</b>	<b>51</b>

# 1. Precauciones de seguridad

- ▶ Lea y respete las siguientes precauciones de seguridad y las instrucciones proporcionadas en las etiquetas adheridas a la unidad.
- ▶ Conserve este manual para referencia futura. Asegúrese de entregar este manual a los usuarios finales.
- ▶ Los trabajos realizados con tubos de refrigerante, los trabajos de electricidad, las pruebas de estanqueidad y los trabajos de soldadura son actividades que solo debe realizar personal cualificado.
- ▶ Una práctica incorrecta de los mismos podría provocar lesiones graves.

 <b>ADVERTENCIA</b>	: indica una situación peligrosa que, de no evitarse, puede causar la muerte o lesiones graves.
 <b>PRECAUCIÓN</b>	: indica una situación peligrosa que, de no evitarse, puede causar lesiones leves o moderadas.
<b>PRECAUCIÓN</b>	: se utiliza para hacer referencia a prácticas no relacionadas con lesiones personales, como por ejemplo daños al producto y/o daños materiales.

## 1-1. Precauciones generales

### **ADVERTENCIA**

**No utilice un refrigerante diferente del indicado en los manuales que se entregan con la unidad y en la placa de identificación.**

- Si lo hace, la unidad o los tubos podrían explotar, o producirse una explosión o incendio durante su uso, reparación o en el momento de la eliminación de la unidad.
- También podría suponer un quebrantamiento de la normativa aplicable.
- MITSUBISHI ELECTRIC CORPORATION no es responsable de cualquier anomalía o accidente derivantes del uso del tipo de refrigerante equivocado.

**No utilice la unidad en entornos con condiciones inusuales.**

- El uso de la unidad en lugares expuestos a grandes cantidades de aceite, vapor, disolventes orgánicos o gases corrosivos (como amoníaco, compuestos sulfúricos o ácidos), o en lugares donde se utilicen frecuentemente soluciones ácidas/alcalinas o pulverizadores químicos especiales, puede reducir significativamente su rendimiento y provocar corrosión en los componentes internos, con el consecuente riesgo de fugas de refrigerante, fugas de agua, lesiones, descarga eléctrica, avería, humo o incendio.

**No cambie los ajustes de los dispositivos de seguridad o protección.**

- La puesta en marcha de la unidad de forma forzada con los dispositivos de seguridad deshabilitados, como por ejemplo el manómetro o el interruptor térmico, puede dar lugar a roturas, incendios o explosiones.
- La puesta en marcha de la unidad con un dispositivo de seguridad cuya configuración haya sido alterada puede dar lugar a roturas, incendios o explosiones.
- El uso de dispositivos de seguridad no especificados por Mitsubishi Electric puede dar lugar a roturas, incendios o explosiones.

**No altere ni modifique la unidad.**

- Si lo hace podrían producirse fugas de refrigerante, fugas de agua, lesiones graves, descargas eléctricas o incendios.

**No moje los componentes eléctricos.**

- Si lo hace, podrían producirse fugas de corriente, descargas eléctricas, averías o incendios.

**No toque los componentes eléctricos, interruptores o botones con los dedos mojados.**

- Si lo hace, podrían producirse descargas eléctricas, averías o incendios.

**No toque los tubos de refrigerante y los componentes de la línea de refrigerante con las manos sin protección durante e inmediatamente después del funcionamiento.**

- El refrigerante de los tubos alcanzará temperaturas muy altas o muy bajas, con el consecuente riesgo de congelación o quemaduras.

---

**No toque los componentes eléctricos con las manos sin protección durante e inmediatamente después del funcionamiento.**

- Si lo hace, podría quemarse.

---

**Ventile la habitación durante las tareas de mantenimiento de la unidad.**

- Las fugas de refrigerante pueden producir una deficiencia de oxígeno. Si el refrigerante entra en contacto con una fuente de calor, generará gases tóxicos.

---

**Si detecta alguna anomalía (por ejemplo, olor a quemado), detenga la unidad, apague el suministro eléctrico y consulte con su distribuidor.**

- La continuación del funcionamiento podría provocar descargas eléctricas, averías o incendios.

---

**Instale correctamente todas las cubiertas y paneles necesarios en el bloque de terminales y en la caja de control.**

- La entrada de polvo o agua al interior de la unidad podría provocar una descarga eléctrica o un incendio.

---

**Compruebe periódicamente que la base de la unidad no presente daños.**

- Si no repara los daños, la unidad podría caerse y provocar lesiones graves.

---

**Consulte con su distribuidor para conocer el procedimiento adecuado de desecho de la unidad.**

- El aceite refrigerante y el refrigerante de la unidad plantean un riesgo de contaminación ambiental, incendio o explosión.

---

**No realice ninguna modificación ni alteración en la unidad. Para la reparación, consulte a su distribuidor.**

- Una reparación inadecuada puede derivar en fugas de agua, descargas eléctricas, humo o fuego.

## **PRECAUCIÓN**

---

**Es necesario vigilar a los niños para impedir que jueguen con la unidad.**

---

**No ponga en funcionamiento la unidad sin los paneles y protecciones.**

- Las piezas giratorias, calientes o de alto voltaje pueden provocar lesiones, descargas eléctricas o incendios.

---

**No toque los ventiladores, las aletas del intercambiador de calor o los bordes afilados de componentes con las manos sin protección.**

- Si lo hace, podría sufrir lesiones.

---

**Utilice guantes de protección cuando trabaje en la unidad.**

- Si no lo hace, podría sufrir lesiones.
- Los tubos de alta presión suponen un riesgo de quemaduras si se tocan con las manos desnudas mientras la unidad está en funcionamiento.

## **1-2. Precauciones para el transporte de la unidad**

### **ADVERTENCIA**

---

**Cuando levante la unidad, pase las eslingas por los cuatro orificios especificados.**

- Si no levanta correctamente la unidad, esta podría caerse y provocar lesiones graves.

### **PRECAUCIÓN**

---

**No levante la unidad con las bandas de polipropileno utilizadas en algunos productos.**

- Si lo hace, podría sufrir lesiones.

---

**Respete las restricciones de peso máximo que una persona puede levantar especificadas en las normativas locales.**

- Si no lo hace, podría sufrir lesiones.

## **1-3. Precauciones para la instalación de la unidad**

### **ADVERTENCIA**

---

**No instale la unidad donde pueda producirse fuga de gas combustible.**

- La acumulación de gas combustible alrededor de la unidad puede provocar incendios o explosiones.



---

**No permita que los niños jueguen con los materiales de embalaje.**

- Estos materiales pueden provocar asfixia o lesiones graves.

---

**Corte en pedazos los materiales de embalaje antes de desecharlos.**

---

**Todos los trabajos de instalación deben ser realizados por personal cualificado de acuerdo con este manual.**

- Una instalación inadecuada podría provocar fugas de refrigerante, fugas de agua, lesiones graves, descargas eléctricas o incendios.

---

**Para la instalación del acondicionador de aire en una habitación pequeña, tome medidas a fin de evitar que la concentración de refrigerante supere el límite de seguridad en caso de fuga de refrigerante.**

- Consulte a su distribuidor acerca de las medidas adecuadas para no llegar a superar la concentración permitida. La presencia de fugas de refrigerante y una concentración excesiva plantean peligros debido a la falta de oxígeno en la habitación.

---

**Instale la unidad de acuerdo con las instrucciones para minimizar el riesgo de daños producidos por terremotos y fuertes vientos.**

- Si no instala correctamente la unidad, esta podría caerse y provocar lesiones graves.

---

**La unidad debe fijarse con seguridad a una estructura que pueda soportar su peso.**

- Si no lo hace, la unidad podría caerse y provocar lesiones graves.

---

## **PRECAUCIÓN**

**Selle todas las aperturas alrededor de tubos y cables para evitar la entrada de pequeños animales, lluvia o nieve.**

- No hacerlo puede derivar en fugas de corriente, descargas eléctricas o daños a la unidad.

## **1-4. Precauciones para los trabajos de instalación de los tubos**

---

### **ADVERTENCIA**

**Antes de calentar las secciones soldadas, purgue el gas y el aceite atrapado en los tubos.**

- No hacerlo podría dar lugar a un incendio, con la consecuente posibilidad de lesiones graves.

---

**No purgue el aire utilizando refrigerante. Utilice una bomba de vacío para evacuar el sistema.**

- El gas residual de los tubos de refrigerante hará estallar los tubos o provocará una explosión.

---

**No utilice oxígeno, gas inflamable o refrigerantes que contenga cloro para las pruebas de estanqueidad.**

- De lo contrario, podría producirse una explosión. El cloro deteriorará el aceite refrigerante.

---

**Cuando instale o reubique la unidad, evite la entrada de aire o de cualquier otra sustancia distinta al refrigerante especificado a los tubos de refrigerante.**

- La entrada de cualquier sustancia distinta al refrigerante especificado podría provocar presiones anormalmente altas en los tubos de refrigerante, con el consecuente riesgo de estallido o explosión.

---

**Una vez completada la instalación, compruebe la presencia de fugas de refrigerante.**

- Las fugas de refrigerante pueden producir una deficiencia de oxígeno. Si el refrigerante entra en contacto con una fuente de calor, generará gases tóxicos.

## **1-5. Precauciones para el cableado eléctrico**

---

### **ADVERTENCIA**

**Permita que los cables de alimentación tengan cierta holgura.**

- De lo contrario, podrían romperse o sobrecalentarse y provocar la aparición de humo o incendios.

---

**Realice las conexiones de forma segura y sin tensión en los terminales.**

- Los cables mal conectados pueden romperse, sobrecalentarse o provocar humo o incendios.

---

**Apriete los tornillos de todos los terminales al valor dinamométrico especificado.**

- Los tornillos flojos y los fallos de contacto pueden provocar humo o incendios.



---

**Los trabajos eléctricos deben ser realizados por personal cualificado de acuerdo con las normativas locales y las instrucciones detalladas en este manual. Utilice exclusivamente los cables especificados y circuitos dedicados.**

- La capacidad inadecuada de la fuente de alimentación o el trabajo eléctrico inapropiado provocarán descargas eléctricas, averías o incendios.

---

**Instale un disyuntor para circuito inversor en la fuente de alimentación de cada unidad.**

- Si no lo hace, podrían producirse descargas eléctricas o incendios.

---

**Utilice únicamente disyuntores con los valores nominales apropiados (disyuntor de fuga a tierra, interruptor local <interruptor + fusible que cumpla los códigos eléctricos locales> o disyuntor de sobrecorriente).**

- Si no lo hace, podrían producirse descargas eléctricas, averías, humo o incendios.

---

**Utilice únicamente cables de alimentación estándar de la capacidad suficiente.**

- Si no lo hace, podrían producirse fugas de corriente, sobrecalentamiento, humo o incendios.

---

**El personal cualificado debe proporcionar una conexión a tierra adecuada.**

- Una mala conexión a tierra puede provocar descargas eléctricas, incendios, explosiones o averías como consecuencia del ruido eléctrico. No conecte el cable de tierra a tubos de gas o agua, pararrayos o cables por tierra de líneas telefónicas.

## PRECAUCIÓN

---

**Una vez completado el trabajo de cableado, mida la resistencia de aislamiento y asegúrese de que la lectura muestre 1 MΩ como mínimo.**

- Si no lo hace, podrían producirse descargas eléctricas, averías o incendios.

## 1-6. Precauciones para reubicar o reparar la unidad

### ADVERTENCIA

---

**Solo personal cualificado debe reubicar o reparar la unidad. No intente desmontar ni alterar la unidad.**

- Si lo hace, podrían producirse fugas de refrigerante, fugas de agua, lesiones graves, descargas eléctricas o incendios.

---

**No realice tareas de mantenimiento en la unidad bajo la lluvia.**

- Si lo hace, podrían producirse fugas de corriente, descargas eléctricas, cortocircuitos, averías, humo o incendios.

## 1-7. Precauciones adicionales

### PRECAUCIÓN

---

**No desactive la alimentación eléctrica inmediatamente después de que se interrumpa el funcionamiento.**

- Espere al menos cinco minutos después de que la unidad se haya detenido antes de apagar el suministro eléctrico. De lo contrario, puede producirse una pérdida de agua o un fallo mecánico de los componentes sensibles.

---

**Un distribuidor o profesional cualificado debe inspeccionar periódicamente la unidad.**

- La acumulación de polvo o suciedad en el interior de la unidad podría obstruir los tubos de drenaje y provocar fugas de agua que podrían mojar las partes circundantes y generar olores.

---

**Active la alimentación eléctrica al menos 12 horas antes de iniciar la puesta en funcionamiento. Mantenga la unidad encendida durante toda la temporada de trabajo.**

- Una alimentación insuficiente provocará averías.

---

**No utilice el acondicionador de aire con fines especiales (por ejemplo, conservar comida, animales, plantas, dispositivos de precisión u obras de arte en una habitación).**

- Estos artículos podrían sufrir daños o deteriorarse.

---

**Recupere el refrigerante y deséchelo oportunamente de acuerdo con las normativas locales.**

---

**No instale la unidad en lugares o sobre elementos susceptibles de sufrir daños por acción del agua.**

- En caso de que la humedad ambiente supere el 80% o de obstrucción del tubo de drenaje, puede generarse condensación que provoque goteo desde la unidad al techo o al suelo.

---

**Los tubos de drenaje deben ser instalados por un distribuidor o personal cualificado para garantizar un drenaje adecuado.**

- La instalación incorrecta del tubo de drenaje puede provocar fugas de agua que dañen los muebles y los objetos circundantes.

---

**Tome medidas apropiadas contra la interferencia de ruido eléctrico cuando instale la unidad en hospitales o instalaciones con servicios de comunicación de radio.**

- El inversor, equipos médicos de alta frecuencia o equipos de comunicación inalámbrica, además de generadores de potencia, podrían provocar anomalías en el sistema de aire acondicionado. El sistema de aire acondicionado también podría afectar negativamente al funcionamiento de estos tipos de equipos al generar ruido eléctrico.

---

**Aísle los tubos para evitar la formación de condensación.**

- La condensación puede provocar la caída de gotas desde la unidad al techo o al suelo.

---

**Mantenga las válvulas de servicio cerradas hasta que se complete la carga de refrigerante.**

- De lo contrario, la unidad resultará dañada.

---

**Coloque una toalla mojada sobre las válvulas de servicio antes de soldar tubos para mantener la temperatura de las válvulas por debajo de 120 °C (248 °F).**

- Si no lo hace, podría dañar el equipo.

---

**Evite que las llamas alcancen los cables y la lámina metálica cuando suelde los tubos.**

- De lo contrario, podrían producirse roturas o averías.

---

**Use las siguientes herramientas especialmente diseñadas para utilizar con el refrigerante especificado: distribuidor, manguera de carga, detector de fugas de gas, válvula de retención, base de carga de refrigerante, vacuómetro y equipo de recuperación del refrigerante.**

- Los detectores de fugas de gas para refrigerantes convencionales no reaccionarán a un refrigerante que no contenga cloro.
- Si mezcla el refrigerante especificado con agua, aceite refrigerante u otro refrigerante, el aceite refrigerante se deteriorará y causará un mal funcionamiento del compresor.

---

**Utilice una bomba de vacío con válvula de retención.**

- Si el aceite de la bomba de vacío retorna a los tubos de refrigerante, el aceite refrigerante podría deteriorarse y causar un mal funcionamiento del compresor.

---

**Mantenga las herramientas limpias.**

- Si polvo, suciedad o agua se acumulan en la manguera de carga o en la herramienta de procesamiento abocinada, el refrigerante se deteriorará y causará un mal funcionamiento del compresor.

---

**Utilice tubos de refrigerante fabricados con cobre fosforoso desoxidado (tubos sin costuras de cobre y aleación de cobre) que cumplan con los requisitos locales. Las juntas de tubos también deben cumplir con los requisitos locales. Mantenga las superficies internas y externas de los tubos limpias y libres de azufre, óxido, polvo/suciedad, virutas metálicas, aceites, humedad o cualquier otro contaminante.**

- Los contaminantes del interior de los tubos de refrigerante deteriorarán el aceite refrigerante y causarán un mal funcionamiento del compresor.

---

**Guarde los tubos bajo techo y mantenga ambos extremos sellados hasta justo antes de realizar una conexión abocinada o una soldadura. (Guarde los codos y otras juntas en bolsas de plástico).**

- Si entra polvo, suciedad o agua en los tubos de refrigerante, el aceite refrigerante se deteriorará y causará un mal funcionamiento del compresor.

---

**Suelde los tubos con una purga de nitrógeno para evitar la oxidación.**

- El flujo oxidado del interior de los tubos de refrigerante deteriorará el aceite refrigerante y causará un mal funcionamiento del compresor.

---

**No utilice los tubos de refrigerante existentes.**

- El refrigerante antiguo y el aceite refrigerante existentes en los tubos contienen una gran cantidad de cloro, que deteriorará el aceite refrigerante de la unidad nueva y causará un mal funcionamiento del compresor.

---

**Cargue el refrigerante en estado líquido.**

- Cargar refrigerante en estado gaseoso cambiará la composición del refrigerante y reducirá su rendimiento.

---

**No utilice cilindros de carga para cargar el refrigerante.**

- El uso de un cilindro de carga cambiará la composición del refrigerante y reducirá su rendimiento.

---

**En caso de gran flujo de corriente eléctrica debido a anomalía o cableado defectuoso, pueden funcionar los disyuntores de fugas a tierra en el lado de la unidad y en el lado ascendente del sistema de alimentación. Según la importancia del sistema, separe el sistema de alimentación o adopte medidas para asegurar la coordinación de los disyuntores.**

---

**Este equipo está diseñado para expertos o usuarios formados de tiendas, de la industria de la iluminación y de granjas, o a personal lego para uso comercial.**

---

**No está previsto el uso de este equipo por personas (incluidos los niños) con capacidad física, sensorial o mental disminuida, o carentes de conocimientos y experiencia, a menos que lo hagan siguiendo las instrucciones de uso bajo la supervisión de una persona responsable de su seguridad.**

---

**Solo el personal cualificado puede tocar el puerto USB en la caja de control.**



## 2. Acerca del producto

- La unidad exterior descrita en este manual es un equipo de aire acondicionado diseñado únicamente por motivos de comodidad.
- Los valores numéricos del nombre del modelo de la unidad (por ejemplo, PURY-P\*\*\*TNU-A, PURY-P\*\*\*YNU-A, PURY-EP\*\*\*TNU-A, PURY-EP\*\*\*YNU-A) indican el índice de capacidad de la unidad.
- Esta unidad utiliza refrigerante R410A.

## 3. Combinación de unidades exteriores

### (1) Modelos TNU (208-230 V)

Modelo de unidad exterior	Combinación de unidades exteriores	
PURY-P72TNU-A(-BS)	-	-
PURY-P96TNU-A(-BS)	-	-
PURY-P120TNU-A(-BS)	-	-
PURY-P144TNU-A(-BS)	-	-
PURY-P168TNU-A(-BS)	-	-
PURY-P192TNU-A(-BS)	PURY-P96TNU-A(-BS)	PURY-P96TNU-A(-BS)
PURY-P216TNU-A(-BS)	PURY-P120TNU-A(-BS)	PURY-P96TNU-A(-BS)
PURY-P240TNU-A(-BS)	PURY-P120TNU-A(-BS)	PURY-P120TNU-A(-BS)
PURY-P264TNU-A(-BS)	PURY-P144TNU-A(-BS)	PURY-P120TNU-A(-BS)
PURY-P288TNU-A(-BS)	PURY-P144TNU-A(-BS)	PURY-P144TNU-A(-BS)
PURY-P312TNU-A(-BS)	PURY-P168TNU-A(-BS)	PURY-P144TNU-A(-BS)
PURY-P336TNU-A(-BS)	PURY-P168TNU-A(-BS)	PURY-P168TNU-A(-BS)

Modelo de unidad exterior	Combinación de unidades exteriores	
PURY-EP72TNU-A(-BS)	-	-
PURY-EP96TNU-A(-BS)	-	-
PURY-EP120TNU-A(-BS)	-	-
PURY-EP144TNU-A(-BS)	-	-
PURY-EP168TNU-A(-BS)	-	-
PURY-EP192TNU-A(-BS)	-	-
PURY-EP192TNU-A(-BS)	PURY-EP96TNU-A(-BS)	PURY-EP96TNU-A(-BS)
PURY-EP216TNU-A(-BS)	-	-
PURY-EP216TNU-A(-BS)	PURY-EP120TNU-A(-BS)	PURY-EP96TNU-A(-BS)
PURY-EP240TNU-A(-BS)	-	-
PURY-EP240TNU-A(-BS)	PURY-EP120TNU-A(-BS)	PURY-EP120TNU-A(-BS)
PURY-EP264TNU-A(-BS)	PURY-EP144TNU-A(-BS)	PURY-EP120TNU-A(-BS)
PURY-EP288TNU-A(-BS)	PURY-EP144TNU-A(-BS)	PURY-EP144TNU-A(-BS)
PURY-EP312TNU-A(-BS)	PURY-EP168TNU-A(-BS)	PURY-EP144TNU-A(-BS)
PURY-EP336TNU-A(-BS)	PURY-EP168TNU-A(-BS)	PURY-EP168TNU-A(-BS)
PURY-EP384TNU-A(-BS)	PURY-EP192TNU-A(-BS)	PURY-EP192TNU-A(-BS)
PURY-EP432TNU-A(-BS)	PURY-EP216TNU-A(-BS)	PURY-EP216TNU-A(-BS)

\* El "kit de emparejamiento" es necesario para conectar combinaciones de unidades in situ.

### (2) Modelos YNU (460 V)

Modelo de unidad exterior	Combinación de unidades exteriores	
PURY-P72YNU-A(-BS)	-	-
PURY-P96YNU-A(-BS)	-	-
PURY-P120YNU-A(-BS)	-	-
PURY-P144YNU-A(-BS)	-	-
PURY-P168YNU-A(-BS)	-	-
PURY-P192YNU-A(-BS)	PURY-P96YNU-A(-BS)	PURY-P96YNU-A(-BS)
PURY-P216YNU-A(-BS)	PURY-P120YNU-A(-BS)	PURY-P96YNU-A(-BS)
PURY-P240YNU-A(-BS)	PURY-P120YNU-A(-BS)	PURY-P120YNU-A(-BS)
PURY-P264YNU-A(-BS)	PURY-P144YNU-A(-BS)	PURY-P120YNU-A(-BS)
PURY-P288YNU-A(-BS)	PURY-P144YNU-A(-BS)	PURY-P144YNU-A(-BS)
PURY-P312YNU-A(-BS)	PURY-P168YNU-A(-BS)	PURY-P144YNU-A(-BS)
PURY-P336YNU-A(-BS)	PURY-P168YNU-A(-BS)	PURY-P168YNU-A(-BS)

Modelo de unidad exterior	Combinación de unidades exteriores	
PURY-EP72YNU-A(-BS)	-	-
PURY-EP96YNU-A(-BS)	-	-
PURY-EP120YNU-A(-BS)	-	-
PURY-EP144YNU-A(-BS)	-	-
PURY-EP168YNU-A(-BS)	-	-
PURY-EP192YNU-A(-BS)	-	-
PURY-EP192YNU-A(-BS)	PURY-EP96YNU-A(-BS)	PURY-EP96YNU-A(-BS)
PURY-EP216YNU-A(-BS)	-	-
PURY-EP216YNU-A(-BS)	PURY-EP120YNU-A(-BS)	PURY-EP96YNU-A(-BS)
PURY-EP240YNU-A(-BS)	-	-
PURY-EP240YNU-A(-BS)	PURY-EP120YNU-A(-BS)	PURY-EP120YNU-A(-BS)
PURY-EP264YNU-A(-BS)	PURY-EP144YNU-A(-BS)	PURY-EP120YNU-A(-BS)
PURY-EP288YNU-A(-BS)	PURY-EP144YNU-A(-BS)	PURY-EP144YNU-A(-BS)
PURY-EP312YNU-A(-BS)	PURY-EP168YNU-A(-BS)	PURY-EP144YNU-A(-BS)
PURY-EP336YNU-A(-BS)	PURY-EP168YNU-A(-BS)	PURY-EP168YNU-A(-BS)
PURY-EP384YNU-A(-BS)	PURY-EP192YNU-A(-BS)	PURY-EP192YNU-A(-BS)
PURY-EP432YNU-A(-BS)	PURY-EP216YNU-A(-BS)	PURY-EP216YNU-A(-BS)

\* El "kit de emparejamiento" es necesario para conectar combinaciones de unidades in situ.

# 4. Especificaciones

## (1) Modelos TNU

Modelo			PURY-P72TNU-A	PURY-P96TNU-A
Nivel de ruido <sup>44 45</sup>			56,5 dB <A>	58,5 dB <A>
Presión estática externa			0 Pa <sup>2</sup>	
Unidad interior	Capacidad total		50% a 150% <sup>*1</sup>	
	Modelo		05 a 96	
	Cantidad	Sistema R2	1 a 18	1 a 24
Rango de temperatura (refrigeración)	Interior	B.H.	+15,0°C a +24,0°C (+59,0°F a +75,0°F)	
	Exterior	B.S.	-5,0°C a +52,0°C (+23,0°F a +125,6°F)	
Rango de temperatura (calefacción)	Interior	B.S.	+15,0°C a +27,0°C (+59,0°F a +81,0°F)	
	Exterior	B.H.	-25,0°C a +15,5°C (-13,0°F a +60,0°F) <sup>*3</sup>	

Modelo			PURY-P120TNU-A	PURY-P144TNU-A	PURY-P168TNU-A	PURY-P192TSNU-A	PURY-P216TSNU-A
Nivel de ruido <sup>44 45</sup>			60,0 dB <A>	65,0 dB <A>	62,5 dB <A>	58,5 dB <A>	60,0 dB <A>
Presión estática externa			0 Pa <sup>2</sup>				
Unidad interior	Capacidad total		50% a 150% <sup>*1</sup>				
	Modelo		05 a 96				
	Cantidad		1 a 30	1 a 36	1 a 42	1 a 48	2 a 50
Rango de temperatura (refrigeración)	Interior	B.H.	+15,0°C a +24,0°C (+59,0°F a +75,0°F)				
	Exterior	B.S.	-5,0°C a +52,0°C (+23,0°F a +125,6°F)				
Rango de temperatura (calefacción)	Interior	B.S.	+15,0°C a +27,0°C (+59,0°F a +81,0°F)				
	Exterior	B.H.	-25,0°C a +15,5°C (-13,0°F a +60,0°F) <sup>*3</sup>				

Modelo			PURY-P240TSNU-A	PURY-P264TSNU-A	PURY-P288TSNU-A	PURY-P312TSNU-A	PURY-P336TSNU-A
Nivel de ruido <sup>44 45</sup>			60,0 dB <A>	65,0 dB <A>	65,0 dB <A>	62,5 dB <A>	62,5 dB <A>
Presión estática externa			0 Pa <sup>2</sup>				
Unidad interior	Capacidad total		50% a 150% <sup>*1</sup>				
	Modelo		05 a 96				
	Cantidad		2 a 50	2 a 50	2 a 50	2 a 50	2 a 50
Rango de temperatura (refrigeración)	Interior	B.H.	+15,0°C a +24,0°C (+59,0°F a +75,0°F)				
	Exterior	B.S.	-5,0°C a +52,0°C (+23,0°F a +125,6°F)				
Rango de temperatura (calefacción)	Interior	B.S.	+15,0°C a +27,0°C (+59,0°F a +81,0°F)				
	Exterior	B.H.	-25,0°C a +15,5°C (-13,0°F a +60,0°F) <sup>*3</sup>				

Modelo			PURY-EP72TNU-A	PURY-EP96TNU-A
Nivel de ruido <sup>44 45</sup>			56,5 dB <A>	58,5 dB <A>
Presión estática externa			0 Pa <sup>2</sup>	
Unidad interior	Capacidad total		50% a 150% <sup>*1</sup>	
	Modelo		05 a 96	
	Cantidad	Sistema R2	1 a 18	1 a 24
Rango de temperatura (refrigeración)	Interior	B.H.	+15,0°C a +24,0°C (+59,0°F a +75,0°F)	
	Exterior	B.S.	-5,0°C a +52,0°C (+23,0°F a +125,6°F)	
Rango de temperatura (calefacción)	Interior	B.S.	+15,0°C a +27,0°C (+59,0°F a +81,0°F)	
	Exterior	B.H.	-25,0°C a +15,5°C (-13,0°F a +60,0°F)	

Modelo			PURY-EP120TNU-A	PURY-EP144TNU-A	PURY-EP168TNU-A	PURY-EP192TNU-A	PURY-EP192TSNU-A
Nivel de ruido <sup>44 45</sup>			60,0 dB <A>	65,0 dB <A>	62,5 dB <A>	64,5 dB <A>	58,5 dB <A>
Presión estática externa			0 Pa <sup>2</sup>				
Unidad interior	Capacidad total		50% a 150% <sup>*1</sup>				
	Modelo		05 a 96				
	Cantidad		1 a 30	1 a 36	1 a 42	1 a 48	1 a 48
Rango de temperatura (refrigeración)	Interior	B.H.	+15,0°C a +24,0°C (+59,0°F a +75,0°F)				
	Exterior	B.S.	-5,0°C a +52,0°C (+23,0°F a +125,6°F)				
Rango de temperatura (calefacción)	Interior	B.S.	+15,0°C a +27,0°C (+59,0°F a +81,0°F)				
	Exterior	B.H.	-25,0°C a +15,5°C (-13,0°F a +60,0°F)				

Modelo			PURY-EP216TNU-A	PURY-EP216TSNU-A	PURY-EP240TNU-A	PURY-EP240TSNU-A	PURY-EP264TSNU-A
Nivel de ruido <sup>44 45</sup>			66,5 dB <A>	60,0 dB <A>	67,5 dB <A>	60,0 dB <A>	65,0 dB <A>
Presión estática externa			0 Pa <sup>2</sup>				
Unidad interior	Capacidad total		50% a 150% <sup>*1</sup>				
	Modelo		05 a 96				
	Cantidad		2 a 50	2 a 50	2 a 50	2 a 50	2 a 50
Rango de temperatura (refrigeración)	Interior	B.H.	+15,0°C a +24,0°C (+59,0°F a +75,0°F)				
	Exterior	B.S.	-5,0°C a +52,0°C (+23,0°F a +125,6°F)				
Rango de temperatura (calefacción)	Interior	B.S.	+15,0°C a +27,0°C (+59,0°F a +81,0°F)				
	Exterior	B.H.	-25,0°C a +15,5°C (-13,0°F a +60,0°F)				

Modelo	PURY-EP288TSNU-A		PURY-EP312TSNU-A	PURY-EP336TSNU-A	PURY-EP384TSNU-A	PURY-EP432TSNU-A
Nivel de ruido <sup>*4 *5</sup>	65,0 dB <A>		62,5 dB <A>	62,5 dB <A>	67,5 dB <A>	69,5 dB <A>
Presión estática externa			0 Pa <sup>*2</sup>			
Unidad interior	Capacidad total		50% a 150% <sup>*1</sup>			
	Modelo		05 a 96			
	Cantidad		2 a 50	2 a 50	2 a 50	2 a 50
Rango de temperatura (refrigeración)	Interior	B.H.	+15,0°C a +24,0°C (+59,0°F a +75,0°F)			
	Exterior	B.S.	-5,0°C a +52,0°C (+23,0°F a +125,6°F)			
Rango de temperatura (calefacción)	Interior	B.S.	+15,0°C a +27,0°C (+59,0°F a +81,0°F)			
	Exterior	B.H.	-25,0°C a +15,5°C (-13,0°F a +60,0°F)			

\*1 La capacidad máxima total de unidades interiores utilizadas simultáneamente es del 150%.

\*2 Para permitir una presión estática alta, ajuste el interruptor DIP del panel principal de la siguiente manera.

	SW6-5: ON	SW6-5: OFF
SW6-4: ON	80 Pa	60 Pa
SW6-4: OFF	30 Pa	0 Pa

\*3 Si se utiliza la unidad a una temperatura inferior a -20,0°C (-4,0°F), consulte a su ingeniero de diseño y tome las medidas apropiadas para el uso en climas fríos, como la instalación de una fuente de calefacción de apoyo.

\*4 Modo de refrigeración

\*5 El nivel de presión sonora mostrado arriba indica un nivel de presión sonora ponderado A. Aunque el nivel de presión sonora en JIS ha cambiado al nivel de potencia sonora (PWL), el valor mostrado indica el nivel de presión sonora medido por el método convencional para fines de referencia.

## (2) Modelos YNU

Modelo	PURY-P72YNU-A		PURY-P96YNU-A	
Nivel de ruido <sup>*4 *5</sup>	56,5 dB <A>		58,5 dB <A>	
Presión estática externa			0 Pa <sup>*2</sup>	
Unidad interior	Capacidad total		50% a 150% <sup>*1</sup>	
	Modelo		05 a 96	
	Cantidad	Sistema R2	1 a 18	1 a 24
Rango de temperatura (refrigeración)	Interior	B.H.	+15,0°C a +24,0°C (+59,0°F a +75,0°F)	
	Exterior	B.S.	-5,0°C a +52,0°C (+23,0°F a +125,6°F)	
Rango de temperatura (calefacción)	Interior	B.S.	+15,0°C a +27,0°C (+59,0°F a +81,0°F)	
	Exterior	B.H.	-25,0°C a +15,5°C (-13,0°F a +60,0°F) <sup>*3</sup>	

Modelo	PURY-P120YNU-A		PURY-P144YNU-A	PURY-P168YNU-A	PURY-P192YNU-A	PURY-P216YSNU-A
Nivel de ruido <sup>*4 *5</sup>	60,0 dB <A>		65,0 dB <A>	62,5 dB <A>	58,5 dB <A>	60,0 dB <A>
Presión estática externa			0 Pa <sup>*2</sup>			
Unidad interior	Capacidad total		50% a 150% <sup>*1</sup>			
	Modelo		05 a 96			
	Cantidad		1 a 30	1 a 36	1 a 42	1 a 48
Rango de temperatura (refrigeración)	Interior	B.H.	+15,0°C a +24,0°C (+59,0°F a +75,0°F)			
	Exterior	B.S.	-5,0°C a +52,0°C (+23,0°F a +125,6°F)			
Rango de temperatura (calefacción)	Interior	B.S.	+15,0°C a +27,0°C (+59,0°F a +81,0°F)			
	Exterior	B.H.	-25,0°C a +15,5°C (-13,0°F a +60,0°F) <sup>*3</sup>			

Modelo	PURY-P240YSNU-A		PURY-P264YSNU-A	PURY-P288YSNU-A	PURY-P312YSNU-A	PURY-P336YSNU-A
Nivel de ruido <sup>*4 *5</sup>	60,0 dB <A>		65,0 dB <A>	65,0 dB <A>	62,5 dB <A>	62,5 dB <A>
Presión estática externa			0 Pa <sup>*2</sup>			
Unidad interior	Capacidad total		50% a 150% <sup>*1</sup>			
	Modelo		05 a 96			
	Cantidad		2 a 50	2 a 50	2 a 50	2 a 50
Rango de temperatura (refrigeración)	Interior	B.H.	+15,0°C a +24,0°C (+59,0°F a +75,0°F)			
	Exterior	B.S.	-5,0°C a +52,0°C (+23,0°F a +125,6°F)			
Rango de temperatura (calefacción)	Interior	B.S.	+15,0°C a +27,0°C (+59,0°F a +81,0°F)			
	Exterior	B.H.	-25,0°C a +15,5°C (-13,0°F a +60,0°F) <sup>*3</sup>			

Modelo	PURY-EP72YNU-A		PURY-EP96YNU-A	
Nivel de ruido <sup>*4 *5</sup>	56,5 dB <A>		58,5 dB <A>	
Presión estática externa			0 Pa <sup>*2</sup>	
Unidad interior	Capacidad total		50% a 150% <sup>*1</sup>	
	Modelo		05 a 96	
	Cantidad	Sistema R2	1 a 18	1 a 24
Rango de temperatura (refrigeración)	Interior	B.H.	+15,0°C a +24,0°C (+59,0°F a +75,0°F)	
	Exterior	B.S.	-5,0°C a +52,0°C (+23,0°F a +125,6°F)	
Rango de temperatura (calefacción)	Interior	B.S.	+15,0°C a +27,0°C (+59,0°F a +81,0°F)	
	Exterior	B.H.	-25,0°C a +15,5°C (-13,0°F a +60,0°F)	

Modelo	PURY-EP120YNU-A		PURY-EP144YNU-A	PURY-EP168YNU-A	PURY-EP192YNU-A	PURY-EP192YSNU-A
Nivel de ruido <sup>*4 *5</sup>	60,0 dB <A>		65,0 dB <A>	62,5 dB <A>	64,5 dB <A>	58,5 dB <A>
Presión estática externa			0 Pa <sup>*2</sup>			
Unidad interior	Capacidad total		50% a 150% <sup>*1</sup>			
	Modelo		05 a 96			
	Cantidad		1 a 30	1 a 36	1 a 42	1 a 48
Rango de temperatura (refrigeración)	Interior	B.H.	+15,0°C a +24,0°C (+59,0°F a +75,0°F)			
	Exterior	B.S.	-5,0°C a +52,0°C (+23,0°F a +125,6°F)			
Rango de temperatura (calefacción)	Interior	B.S.	+15,0°C a +27,0°C (+59,0°F a +81,0°F)			
	Exterior	B.H.	-25,0°C a +15,5°C (-13,0°F a +60,0°F)			

Modelo			PURY-EP216YNU-A	PURY-EP216YSNU-A	PURY-EP240YNU-A	PURY-EP240YSNU-A	PURY-EP264YSNU-A
Nivel de ruido*4 *5			66,5 dB <A>	60,0 dB <A>	67,5 dB <A>	60,0 dB <A>	65,0 dB <A>
Presión estática externa			0 Pa*2				
Unidad interior	Capacidad total		50% a 150%*1				
	Modelo		05 a 96				
	Cantidad		2 a 50	2 a 50	2 a 50	2 a 50	2 a 50
Rango de temperatura (refrigeración)	Interior	B.H.	+15,0°C a +24,0°C (+59,0°F a +75,0°F)				
	Exterior	B.S.	-5,0°C a +52,0°C (+23,0°F a +125,6°F)				
Rango de temperatura (calefacción)	Interior	B.S.	+15,0°C a +27,0°C (+59,0°F a +81,0°F)				
	Exterior	B.H.	-25,0°C a +15,5°C (-13,0°F a +60,0°F)				

Modelo			PURY-EP288YSNU-A	PURY-EP312YSNU-A	PURY-EP336YSNU-A	PURY-EP384YSNU-A	PURY-EP432YSNU-A
Nivel de ruido*4 *5			65,0 dB <A>	62,5 dB <A>	62,5 dB <A>	67,5 dB <A>	69,5 dB <A>
Presión estática externa			0 Pa*2				
Unidad interior	Capacidad total		50% a 150%*1				
	Modelo		05 a 96				
	Cantidad		2 a 50	2 a 50	2 a 50	2 a 50	2 a 50
Rango de temperatura (refrigeración)	Interior	B.H.	+15,0°C a +24,0°C (+59,0°F a +75,0°F)				
	Exterior	B.S.	-5,0°C a +52,0°C (+23,0°F a +125,6°F)				
Rango de temperatura (calefacción)	Interior	B.S.	+15,0°C a +27,0°C (+59,0°F a +81,0°F)				
	Exterior	B.H.	-25,0°C a +15,5°C (-13,0°F a +60,0°F)				

\*1 La capacidad máxima total de unidades interiores utilizadas simultáneamente es del 150%.

\*2 Para permitir una presión estática alta, ajuste el interruptor DIP del panel principal de la siguiente manera.

	SW6-5: ON	SW6-5: OFF
SW6-4: ON	80 Pa	60 Pa
SW6-4: OFF	30 Pa	0 Pa

\*3 Si se utiliza la unidad a una temperatura inferior a -20,0°C (-4,0°F), consulte a su ingeniero de diseño y tome las medidas apropiadas para el uso en climas fríos, como la instalación de una fuente de calefacción de apoyo.

\*4 Modo de refrigeración

\*5 El nivel de presión sonora mostrado arriba indica un nivel de presión sonora ponderado A. Aunque el nivel de presión sonora en JIS ha cambiado al nivel de potencia sonora (PWL), el valor mostrado indica el nivel de presión sonora medido por el método convencional para fines de referencia.

# 5. Contenido del embalaje

---

La siguiente tabla enumera todas las piezas y el número de ellas incluidas en el embalaje.

(1) Modelos P

	Cinta
P72	2
P96	2
P120	2
P144	2
P168	2

(2) Modelos EP

	Cinta
EP72	2
EP96	2
EP120	2
EP144	2
EP168	2
EP192	2
EP216	2
EP240	2



# 6. Transporte de la unidad

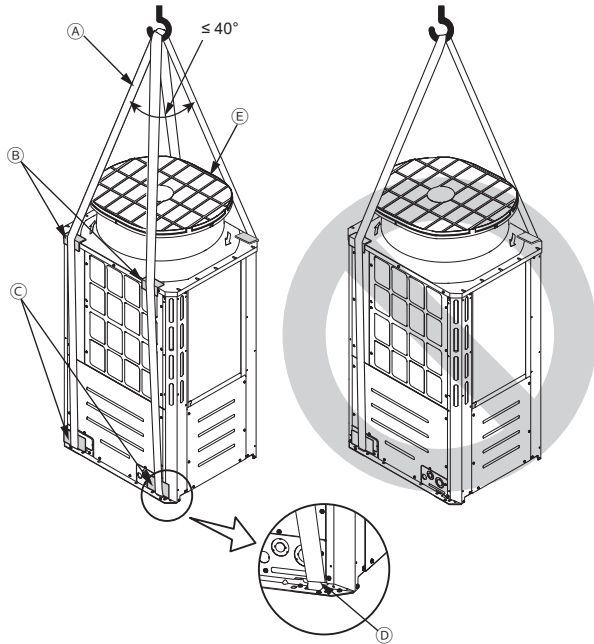
## ⚠ ADVERTENCIA

**Cuando levante la unidad, pase las eslingas por los cuatro orificios especificados.**

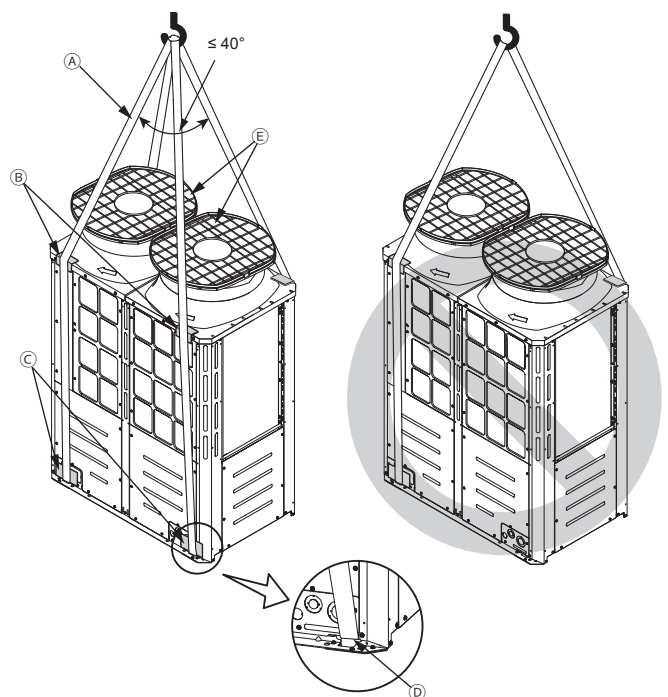
- Si no levanta correctamente la unidad, esta podría caerse y provocar lesiones graves.

- Utilice siempre dos eslingas para levantar la unidad. Cada eslinga debe tener al menos 8 m (26 pies) de largo y debe poder soportar el peso de la unidad.
- Coloque almohadillas de protección entre las eslingas y la unidad en el punto en el que las eslingas tocan la unidad en la base para proteger la unidad de arañazos.
- Coloque almohadillas protectoras de 50 mm (2 pulg.) o de mayor espesor entre las eslingas y la unidad en el punto en el que las eslingas tocan la unidad en la parte superior para proteger la unidad de arañazos y evitar el contacto entre las eslingas y la protección del ventilador.
- Asegúrese de que los ángulos entre las eslingas de la parte superior tengan menos de 40 grados.

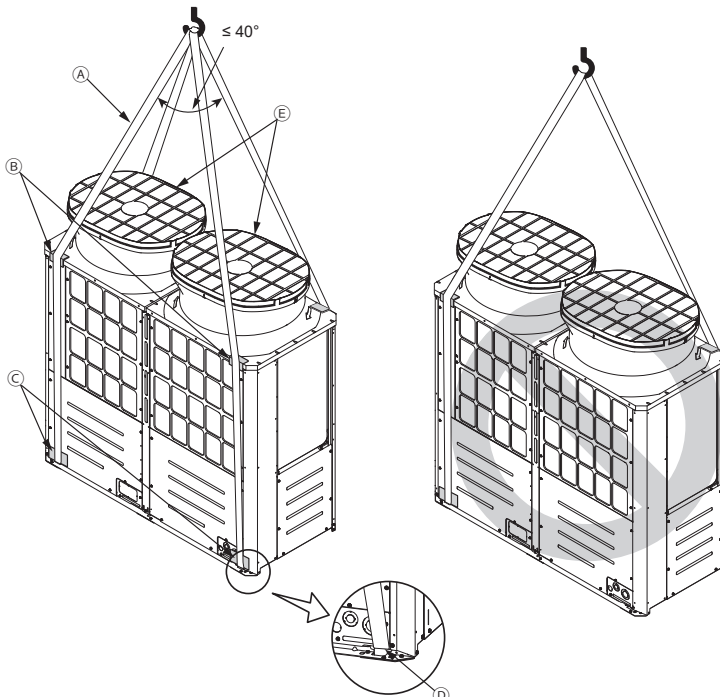
P72, EP72



P96, P120, P144, EP96, EP120, EP144



P168, EP168, EP192, EP216, EP240



- (A) Eslingas (mín. 8 m (26 pies) x 2)
- (B) Almohadillas protectoras (espesor mínimo: 50 mm (2 pulg.))  
(dos en cada una de las partes frontal y trasera)
- (C) Almohadillas protectoras  
(dos en cada una de las partes frontal y trasera)
- (D) Orificios para eslingas  
(dos en cada una de las partes frontal y trasera)
- (E) Protección del ventilador

# 7. Lugar de instalación

## **⚠ ADVERTENCIA**

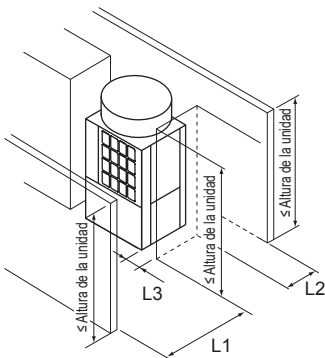
**No instale la unidad donde pueda producirse fuga de gas combustible.**

- La acumulación de gas combustible alrededor de la unidad puede provocar incendios o explosiones.
- Deje suficiente espacio alrededor de la unidad para permitir un uso eficiente de la misma y una circulación adecuada de aire, y facilitar el acceso para las tareas de mantenimiento.
- Recuerde que el gas refrigerante es más pesado que el aire y tenderá por tanto a acumularse en lugares bajos como sótanos.
- Cuando instale una unidad interior con aspiración de aire exterior junto a una unidad exterior, compruebe que el funcionamiento normal de la unidad interior no se vea afectado.
- Cuando la cantidad de agua de drenaje es excesiva, esta sale de la unidad exterior a lo largo del panel durante la operación de calefacción. Proporcione espacio suficiente alrededor de la unidad de acuerdo con las instrucciones a continuación.

### 7-1. Instalación de una unidad aislada

(1) Cuando todas las paredes se encuentren dentro de sus límites de altura\*.

[mm (pulg.)]



\* Límite de altura

Frontal/derecho/izquierdo/posterior	Misma altura o menor a la altura total de la unidad
-------------------------------------	---

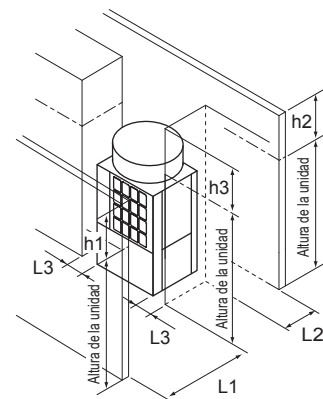
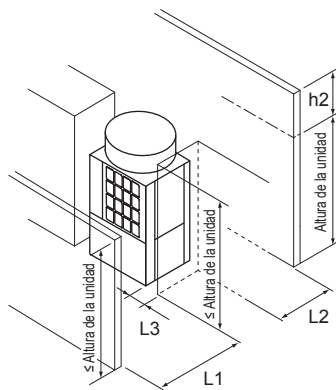
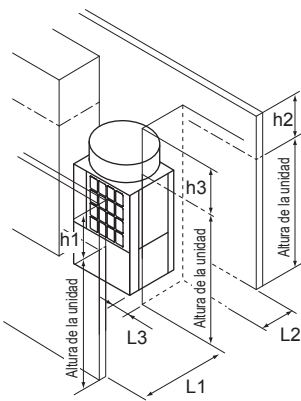
	Distancia mínima obligatoria [mm (pulg.)]		
	L1 (frontal)	L2 (posterior)	L3 (derecho/izquierdo)
Cuando necesite que exista poca distancia detrás de la unidad (L2)	450 (17-3/4)	100 (3-15/16)	50 (2)
Cuando necesite que exista poca distancia en los lados derecho e izquierdo (L3)	450 (17-3/4)	300 (11-13/16)	15 (5/8)

(2) Cuando una o más paredes superen sus límites de altura\*.

Cuando las paredes de la parte frontal y/o izquierda/derecha superen sus límites de altura

Cuando la pared de la parte posterior supere su altura máxima

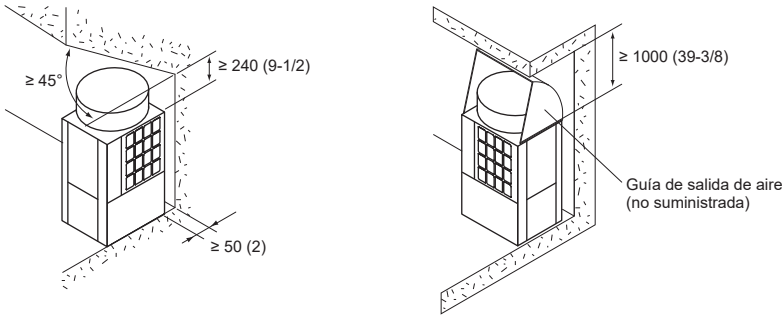
Cuando todas las paredes superen sus límites de altura



Suma la dimensión que supera el límite de altura (indicada como "h1" a "h3" en las figuras) a L1, L2 y L3 como muestra la siguiente tabla.

	Distancia mínima obligatoria [mm (pulg.)]		
	L1 (frontal)	L2 (posterior)	L3 (derecho/izquierdo)
Cuando necesite que exista poca distancia detrás de la unidad (L2)	450 (17-3/4) + h1	100 (3-15/16) + h2	50 (2) + h3
Cuando necesite que exista poca distancia en los lados derecho e izquierdo (L3)	450 (17-3/4) + h1	300 (11-13/16) + h2	15 (5/8) + h3

(3) Cuando existan obstáculos aéreos

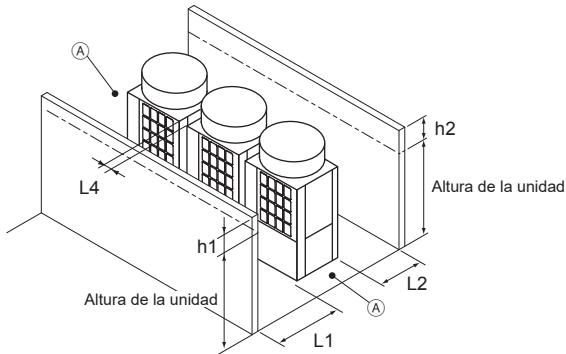


## 7-2. Instalación de varias unidades

- A la hora de instalar varias unidades, asegúrese de tener en cuenta factores como dejar suficiente espacio para que pasen los operarios, un espacio amplio entre los bloques de unidades y suficiente espacio para permitir la circulación de aire. (Las zonas marcadas con **A** en las siguientes figuras deben dejarse abiertas).
- Al igual que al instalar una sola unidad, sume la dimensión que supera el límite de altura (indicada como "h1" a "h3" en las figuras) a L1, L2 y L3 como muestran las siguientes tablas.
- Si hay paredes en las partes frontal y trasera del bloque de unidades, pueden instalarse hasta seis unidades (P168, EP168, EP192, EP216, y EP240) contiguas, y debe dejarse un espacio de 1000 mm (39-3/8 pulg.) o más entre cada bloque de seis unidades.
- Cuando la cantidad de agua de drenaje es excesiva, esta sale de la unidad exterior a lo largo del panel durante la operación de calefacción.

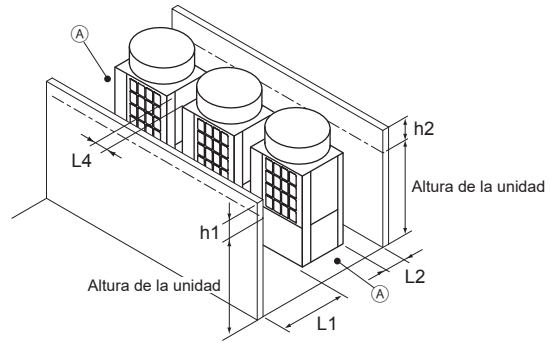
(1) Instalación contigua

Cuando necesite que exista poca distancia entre las unidades (L4)



Distancia mínima obligatoria [mm (pulg.)]		
L1 (frontal)	L2 (posterior)	L4 (entre)
450 (17-3/4) + h1	300 (11-13/16) + h2	30 (1-3/16)

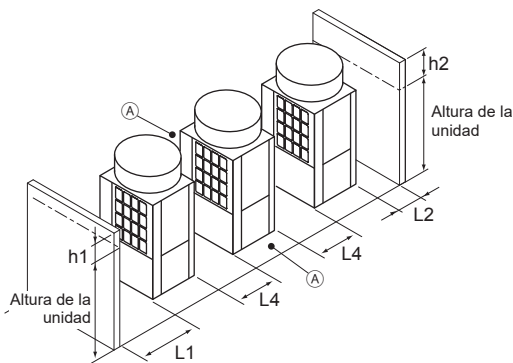
Cuando necesite que exista poca distancia detrás del bloque de unidades (L2)



Distancia mínima obligatoria [mm (pulg.)]		
L1 (frontal)	L2 (posterior)	L4 (entre)
450 (17-3/4) + h1	100 (3-15/16) + h2	100 (3-15/16)

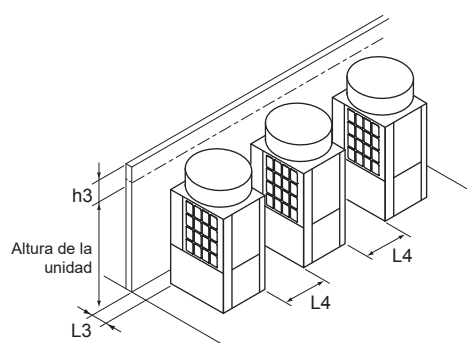
(2) Instalación enfrentada

Cuando haya paredes en la parte frontal y trasera del bloque de unidades



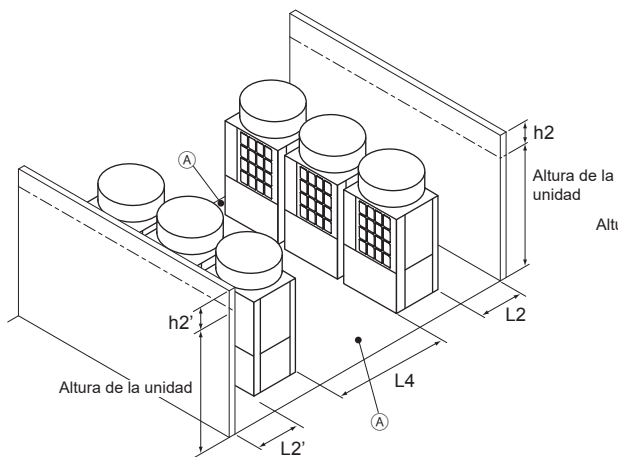
Distancia mínima obligatoria [mm (pulg.)]		
L1 (frontal)	L2 (posterior)	L4 (entre)
450 (17-3/4) + h1	100 (3-15/16) + h2	450 (17-3/4)

Cuando haya una pared en el lado derecho o izquierdo del bloque de unidades



Distancia mínima obligatoria [mm (pulg.)]	
L3 (derecho/izquierdo)	L4 (entre)
15 (5/8) + h3	450 (17-3/4)

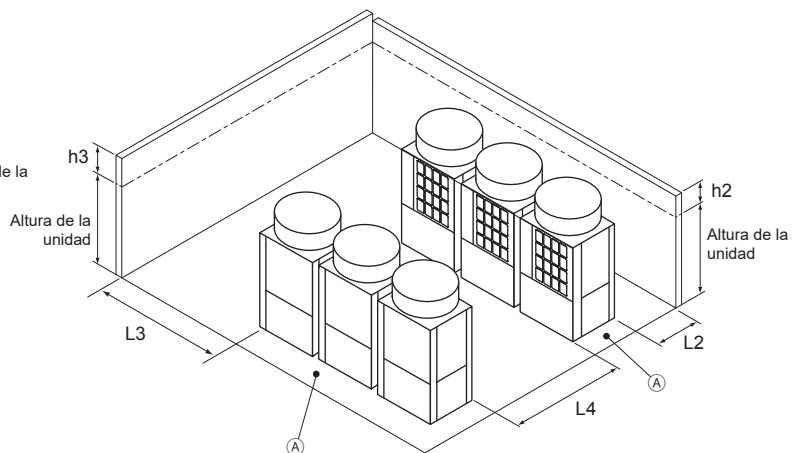
(3) Combinación de instalaciones enfrentadas y contiguas  
 Cuando haya paredes en la parte frontal y trasera del bloque de unidades



Distancia mínima obligatoria [mm (pulg.)]		
L2 (posterior)	L2' (posterior)	L4 (entre)
300 (11-13/16) + h2	300 (11-13/16) + h2'	900 (35-7/16)

Ⓐ Deje abierto en los dos lados.

Quando haya dos paredes en forma de L



Distancia mínima obligatoria [mm (pulg.)]		
L2 (posterior)	L3 (derecho/izquierdo)	L4 (entre)
300 (11-13/16) + h2	1000 (39-3/8) + h3	900 (35-7/16)

# 8. Trabajo de cimentación

## ⚠️ ADVERTENCIA

Instale la unidad de acuerdo con las instrucciones para minimizar el riesgo de daños producidos por terremotos y fuertes vientos.

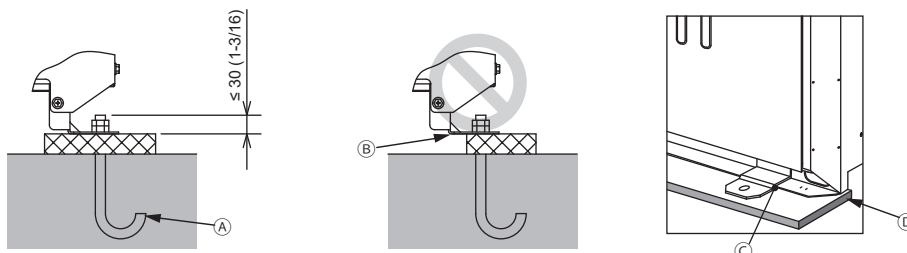
- Si no instala correctamente la unidad, esta podría caerse y provocar lesiones graves.

La unidad debe fijarse con seguridad a una estructura que pueda soportar su peso.

- Si no lo hace, la unidad podría caerse y provocar lesiones graves.

- Antes de realizar los trabajos de cimentación, asegúrese de que la superficie del suelo sea suficientemente resistente y coloque cuidadosamente los tubos y los cables teniendo en cuenta el drenaje de agua que necesita la unidad para funcionar.
- Si decide pasar los tubos y los cables por la parte inferior de la unidad, asegúrese de que la base tenga una altura mínima de 100 mm (3-15/16 pulg.) para que los orificios pasantes no queden bloqueados.
- Proporcione una base sólida de cemento o hierro en ángulo. Si utiliza una base de acero inoxidable, aisle la zona entre la base y la unidad exterior instalando un apoyo de goma o aplicando un revestimiento aislado eléctricamente para evitar que la base se oxide.
- Instale la unidad sobre una superficie nivelada.
- En algunos tipos de instalación, la unidad transmitirá vibración y ruido al suelo y a las paredes. En función del lugar de instalación, tome medidas para evitar la vibración (utilizando almohadillas de goma antivibración por ejemplo).

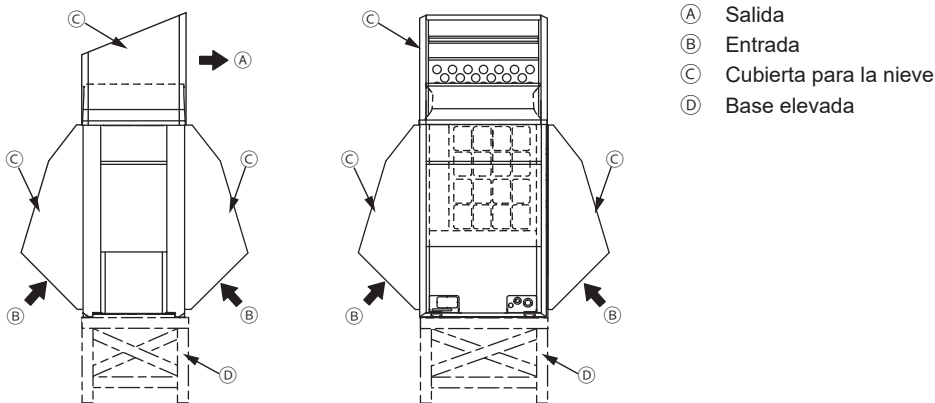
[mm (pulg.)]



- (A) Perno de anclaje M10 (no suministrado)
- (B) (Instalación incorrecta) La sección de esquina no está bien sujeta.
- (C) Soporte de fijación para pernos de anclaje colocados posteriormente (no suministrado) (fijado con tres tornillos)
- (D) Almohadilla de goma antivibración (la almohadilla tiene que ser lo suficientemente amplia para cubrir todo el ancho de cada uno de los pies de la unidad).

- Asegúrese de que la sección de esquina esté bien sujeta. De lo contrario, los pies de la unidad podrían doblarse.
- La longitud de la parte sobresaliente del perno de anclaje debe tener como máximo 30 mm (1-3/16 pulg.).
- Esta unidad no está diseñada para fijarse con pernos de anclaje colocados posteriormente salvo que se instalen soportes de fijación en cuatro puntos de la parte inferior (seis puntos para las unidades P168, EP168, EP192, EP216, y EP240).
- En entornos sumamente rigurosos como zonas frías y/o ventosas, es necesario tomar medidas de protección contra la nieve y el viento excesivo para asegurar el correcto funcionamiento de la unidad. Cuando está previsto que la unidad funcione en modo refrigeración con temperaturas inferiores a 10 °C (50°F), en zonas nevadas, o en entornos sometidos a fuertes vientos o lluvias, instale cubiertas para la nieve de las siguientes especificaciones (no suministradas) como muestra la siguiente figura.

Material: Lámina de acero galvanizado 1,2T  
 Pintura: Pintura de la totalidad con polvo de poliéster  
 Color: Munsell 5Y8/1 (el mismo que el color de la unidad)  
 Tamaño: Consulte el Data Book.



- Instale la unidad de forma tal que el viento no sople directamente contra la entrada y la salida.
- Si es necesario, instale la unidad sobre una base elevada de las siguientes especificaciones (no suministrada) para protegerla de la nieve.

Material: hierro en ángulo (construya una estructura que la nieve y el viento puedan atravesar).  
 Altura: altura máxima de nevada prevista más 200 mm (7-7/8 pulg.)  
 Ancho: igual o inferior al ancho de la unidad (si la base elevada es demasiado ancha, la nieve se acumulará sobre ella).

- Si la unidad se usa en una región fría y la operación de calefacción se realiza continuamente durante un período prolongado cuando la temperatura exterior está por debajo del punto de congelación, instale un calefactor en la base elevada o tome otras medidas adecuadas para impedir que el agua se congele en la base elevada.
- Al instalar un calefactor de panel, deje espacio suficiente para el mantenimiento correspondiente. Para más detalles, consulte el Data Book o el manual del calefactor de panel.

# 9. Trabajos sobre los tubos de refrigerante

## ⚠ ADVERTENCIA

**No utilice un refrigerante diferente del indicado en los manuales que se entregan con la unidad y en la placa de identificación.**

- Si lo hace, la unidad o los tubos podrían explotar, o producirse una explosión o incendio durante su uso, reparación o en el momento de la eliminación de la unidad.
- También podría suponer un quebrantamiento de la normativa aplicable.
- MITSUBISHI ELECTRIC CORPORATION no es responsable de cualquier anomalía o accidente derivantes del uso del tipo de refrigerante equivocado.

**Una vez completada la instalación, compruebe la presencia de fugas de refrigerante.**

- Las fugas de refrigerante pueden producir una deficiencia de oxígeno. Si el refrigerante entra en contacto con una fuente de calor, generará gases tóxicos.

## ⚠ PRECAUCIÓN

**Utilice guantes de protección cuando trabaje en la unidad.**

- Si no lo hace, podría sufrir lesiones.
- Los tubos de alta presión suponen un riesgo de quemaduras si se tocan con las manos desnudas mientras la unidad está en funcionamiento.

## PRECAUCIÓN

**Use las siguientes herramientas especialmente diseñadas para utilizar con el refrigerante especificado: distribuidor, manguera de carga, detector de fugas de gas, válvula de retención, base de carga de refrigerante, vacuómetro y equipo de recuperación del refrigerante.**

- Los detectores de fugas de gas para refrigerantes convencionales no reaccionarán a un refrigerante que no contenga cloro.
- Si mezcla el refrigerante especificado con agua, aceite refrigerante u otro refrigerante, el aceite refrigerante se deteriorará y causará un mal funcionamiento del compresor.

**No utilice los tubos de refrigerante existentes.**

- El refrigerante antiguo y el aceite refrigerante existentes en los tubos contienen una gran cantidad de cloro, que deteriorará el aceite refrigerante de la unidad nueva y causará un mal funcionamiento del compresor.

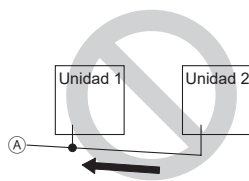
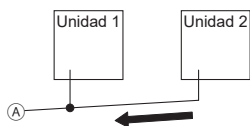
## 9-1. Restricciones

- No deben usarse los tubos existentes ya que la presión de diseño de los sistemas que usan el R410A es mayor que la de los sistemas que utilizan otros tipos de refrigerante.
- No conecte tubos en la unidad exterior bajo la lluvia.
- No utilice detergentes especiales para lavar las tuberías.
- Respete siempre las restricciones respecto de los tubos de refrigerante (como tamaño de los tubos, longitud de los tubos y distancia de separación vertical) para evitar los fallos del equipo o una disminución del rendimiento de la calefacción/refrigeración.
- No instale válvulas solenoides para evitar el reflujo de aceite y fallos en el arranque del compresor.
- No instale una mirilla, ya que puede mostrar un flujo de refrigerante incorrecto. Si instala una mirilla y la utilizan unos técnicos inexpertos, es posible que carguen demasiado el nivel de refrigerante.
- Instale el tubo procedente de las unidades exteriores de forma tal que impida que el aceite se acumule en el tubo en determinadas circunstancias. Para más información, consulte las siguientes figuras.

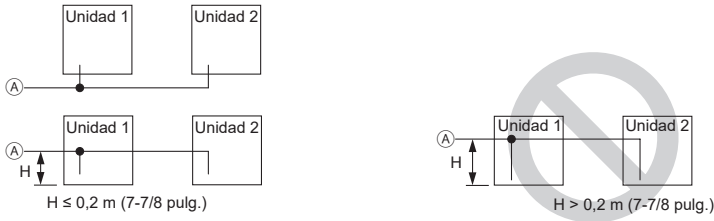
\* La línea punteada que aparece en las figuras indica los puntos de bifurcación.

Ⓐ A un controlador BC

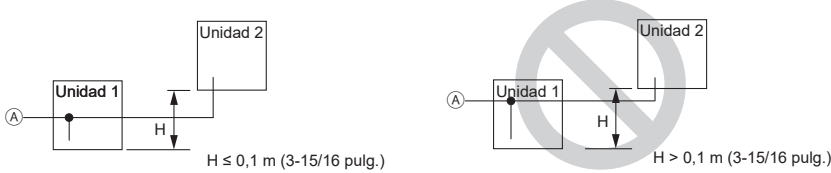
- (1) Incline el tubo procedente de las unidades exteriores hacia abajo hacia el lado de la unidad interior. En la figura de la derecha, a consecuencia de la inclinación del tubo hacia arriba, el aceite se acumula en el tubo cuando la unidad 1 está en marcha y la unidad 2 detenida.



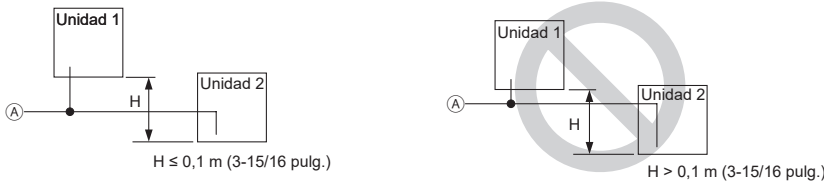
- (2) La distancia entre la parte inferior de la unidad y el tubo (H) debe ser de 0,2 m (7-7/8 pulg.) como máximo. En la figura de la derecha, debido a que la distancia es superior a 0,2 m (7-7/8 pulg.), el aceite se acumula en la unidad 1 cuando la unidad 2 está en marcha y la unidad 1 detenida.



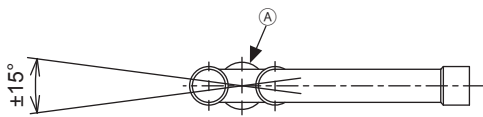
- (3) La separación vertical entre las unidades (H) debe ser de 0,1 m (3-15/16 pulg.) como máximo. En la figura de la derecha, debido a que la distancia es superior a 0,1 m (3-15/16 pulg.), el aceite se acumula en la unidad 1 cuando la unidad 2 está en marcha y la unidad 1 detenida.



- (4) La separación vertical entre las unidades (H) debe ser de 0,1 m (3-15/16 pulg.) como máximo. En la figura de la derecha, debido a que la distancia es superior a 0,1 m (3-15/16 pulg.), el aceite se acumula en la unidad 2 cuando la unidad 1 está en marcha y la unidad 2 detenida.

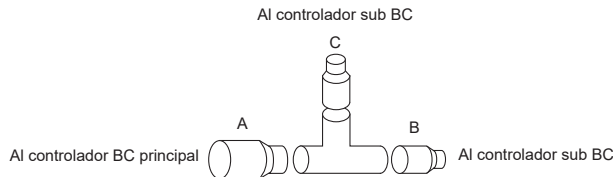


- Asegúrese de que la tolerancia de inclinación del equipo de emparejamiento esté a  $\pm 15^\circ$  del suelo para evitar daños a la unidad.



(A) Kit de emparejamiento

- Restricción al instalar la unión de tubería de 2 bifurcaciones CMY-R201/202/203/204/205S-G en los tubos de alta presión, los tubos de baja presión y los tubos de líquidos.



- Con respecto a la unión de tubería de 2 bifurcaciones en las tuberías de alta presión, baja presión y líquidos, A y B deben instalarse en horizontal, y C en vertical, más arriba que el plano horizontal de A y B.

- Si la longitud del tubo entre el punto de bifurcación y la unidad exterior supera los 2 m (6 pies), instale un separador a una distancia de 2 m (6 pies) del punto de bifurcación.

El separador debe tener al menos 200 mm (7-7/8 pulg.) de altura. (tubo de alta presión únicamente) Si no se instala un separador, el aceite puede acumularse en el interior del tubo, lo que puede provocar una falta de aceite que puede dañar el compresor.

\* La línea punteada que aparece en las figuras indica los puntos de bifurcación.



- (A) A un controlador BC
- (B) Separador (tubo de alta presión únicamente)
- (C) Tubo de alta presión



## 9-2. Selección del tubo

### PRECAUCIÓN

Utilice tubos de refrigerante fabricados con cobre fosforoso desoxidado (tubos sin costuras de cobre y aleación de cobre) que cumplan con los requisitos locales. Las juntas de tubos también deben cumplir con los requisitos locales. Mantenga las superficies internas y externas de los tubos limpias y libres de azufre, óxido, polvo/suciedad, virutas metálicas, aceites, humedad o cualquier otro contaminante.

- Los contaminantes del interior de los tubos de refrigerante deteriorarán el aceite refrigerante y causarán un mal funcionamiento del compresor.

Utilice tubos de refrigerante para el sistema refrigerante R410A. Es posible que no se puedan utilizar estos tubos en sistemas que utilicen otros tipos de refrigerantes.

Utilice tubos de refrigerante con el espesor especificado en la siguiente tabla.

Tamaño [mm (pulg.)]	Grosor mínimo de la pared [mm (pulg.)]
ø6,35 (ø1/4)	0,67 (0,0265)
ø9,52 (ø3/8)	0,72 (0,0285)
ø12,7 (ø1/2)	0,72 (0,0285)
ø15,88 (ø5/8)	0,8 (0,0315)
ø19,05 (ø3/4)	0,98 (0,0385)
ø22,2 (ø7/8)	1,04 (0,0410)
ø25,4 (ø1)	1,17 (0,0460)
ø28,58 (ø1-1/8)	1,17 (0,0460)
ø31,75 (ø1-1/4)	1,28 (0,0505)
ø34,93 (ø1-3/8)	1,28 (0,0505)
ø41,28 (ø1-5/8)	1,41 (0,0555)

## 9-3. Selección del kit de emparejamiento

Consulte las siguientes secciones para seleccionar los kits de emparejamiento adecuados (vendidos por separado).

\* Utilice un adaptador, si es necesario, para conectar un tubo de refrigerante a un tubo de emparejamiento de un diámetro distinto.

### 9-3-1. Unión de tubería de 2 bifurcaciones

La unión de tubería de 2 bifurcaciones se utiliza para conectar varias unidades interiores a un puerto.

(1) Sistema R2

Capacidad total de las unidades interiores aguas abajo	Modelo de kit
72 o inferior	CMY-Y102SS-G2
73 a 96	CMY-Y102LS-G2

### 9-3-2. Kit de unión de tubería

El kit de unión de tubería se utiliza para conectar una unidad interior de modelo P72 o superior.

Modelo de unidad interior	Modelo de kit
P72 a P96	CMY-R160-J1

\* Cuando conecte los modelos del P72 al P96 de las unidades interiores a dos puertos, coloque el interruptor DIP SW4-6 en el controlador BC en ENCENDIDO.

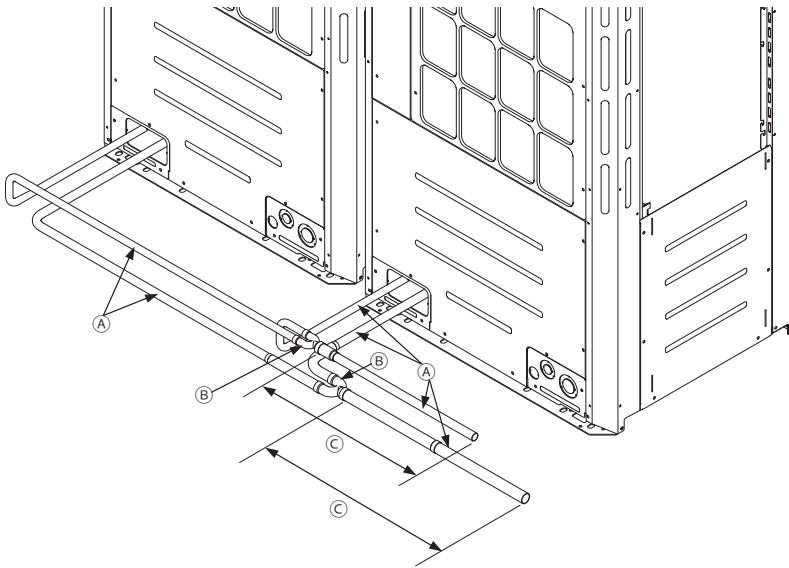
### 9-3-3. Kit de emparejamiento de unidades exteriores

El kit de emparejamiento de unidades exteriores se utiliza para combinar varias unidades exteriores.

Capacidad total de las unidades exteriores	Modelo de kit
P192 a 240T/YSNU, EP192 a 240 T/YSNU	CMY-R200NCBK
P264 a 336T/YSNU, EP264 a 432 T/YSNU	CMY-R300NCBK

## 9-4. Ejemplo de conexión de tubos

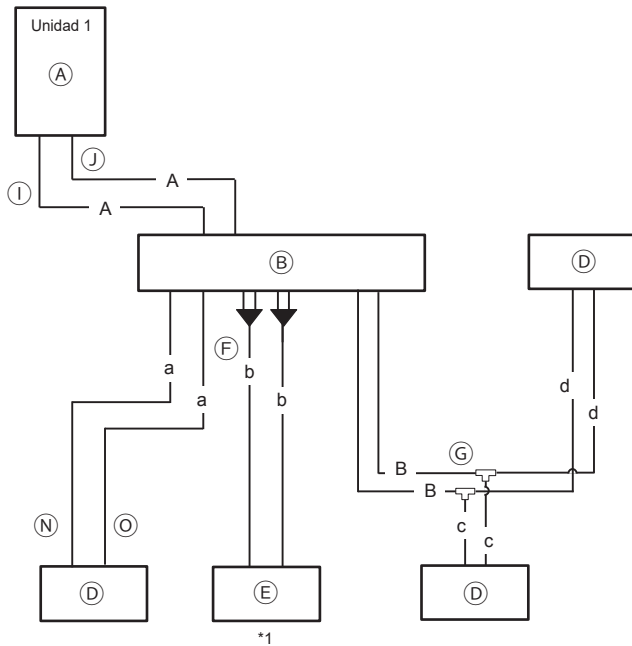
### 9-4-1. Ejemplo de conexión de tubo entre unidades exteriores



- Ⓐ Instalación de tubos in situ
- Ⓑ Kit de emparejamiento
- Ⓒ La sección de tubo que precede al tubo de emparejamiento debe tener al menos 500 mm (19-11/16 pulg.) de sección recta.

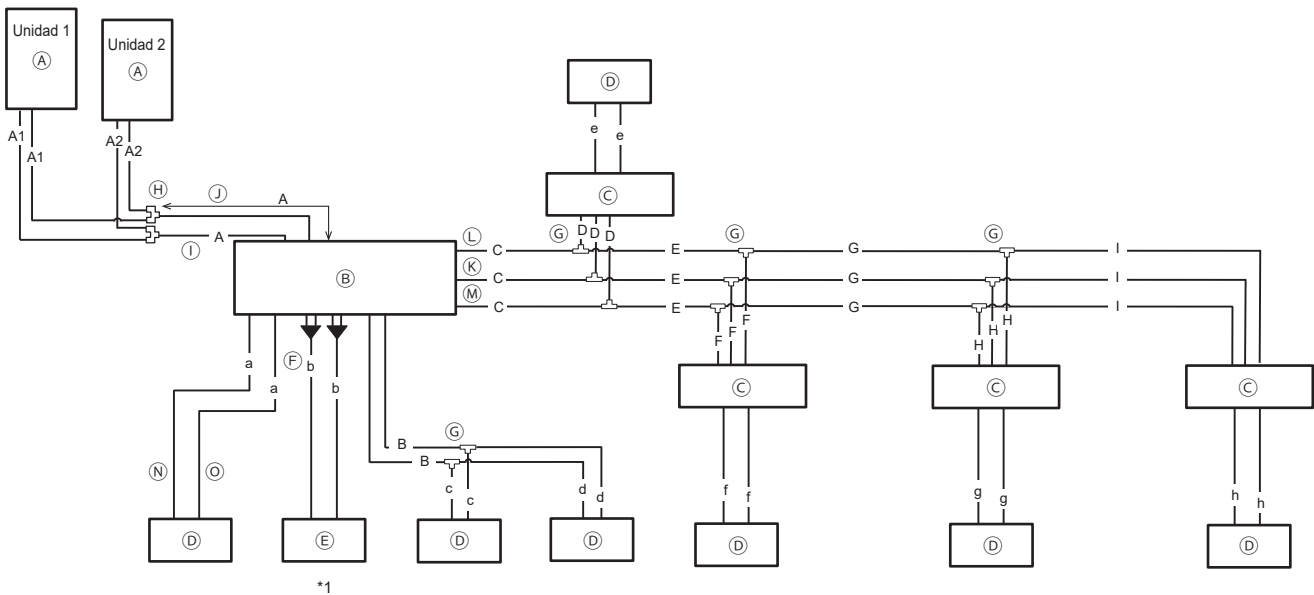
## 9-4-2. Ejemplo de conexión de tubos entre una unidad exterior y el controlador BC, y entre un controlador BC y la unidad interior (sistema R2)

P72 a P168  
EP72 a EP240

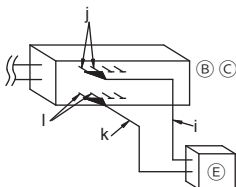


- (A) Unidad exterior
- (B) Controlador BC (principal)
- (C) Controlador BC (subordinado)
- (D) Unidad interior (capacidad total de las unidades interiores aguas abajo: 05 a 30)
- (E) Unidad interior (capacidad total de las unidades interiores aguas abajo: 72 a 96)
- (F) Kit de unión de tubería
- (G) Unión de tubería de 2 bifurcaciones
- (H) Kit de emparejamiento de unidades exteriores
- (I) Tubo de alta presión (A, A1, A2)
- (J) Tubo de baja presión (A, A1, A2)
- (K) Tubo de alta presión (C, D, E, F, G, H, I)
- (L) Tubo de baja presión (C, D, E, F, G, H, I)
- (M) Tubo de líquido (C, D, E, F, G, H, I)
- (N) Tubo de líquido (a, b, c, d, e, f, g, h)
- (O) Tubo de gas (a, b, c, d, e, f, g, h)

P192 a P336  
EP192 a EP432



\*1



\* Póngase en contacto con su distribuidor para obtener ejemplos de conexión de tubos para los modelos CMB-P\*\*NU-J1, CMB-P\*\*NU-JA1, CMB-P\*\*NU-KA1 o CMB-P\*\*NU-KB1.

Tubos A, A1, A2

[mm (pulg.)]

Modelo de unidad	Unidad combinada		Tubo A		Tubo A1*1		Tubo A2*1	
	Unidad 1	Unidad 2	Alta presión	Baja presión	Alta presión	Baja presión	Alta presión	Baja presión
P72T/YNU	-	-	ø15,88 (5/8)	ø19,05 (3/4)	-	-	-	-
P96T/YNU	-	-	ø19,05 (3/4)	ø22,2 (7/8)	-	-	-	-
P120T/YNU	-	-	ø19,05 (3/4)	ø28,58 (1-1/8)	-	-	-	-
P144T/YNU	-	-	ø22,2 (7/8)	ø28,58 (1-1/8)	-	-	-	-
P168T/YNU	-	-	ø22,2 (7/8)	ø28,58 (1-1/8)	-	-	-	-
P192T/YSNU	P96	P96	ø22,2 (7/8)	ø28,58 (1-1/8)	ø19,05 (3/4)	ø22,2 (7/8)	ø19,05 (3/4)	ø22,2 (7/8)
P216T/YSNU	P120	P96	ø22,2 (7/8)*2	ø28,58 (1-1/8)	ø19,05 (3/4)	ø28,58 (1-1/8)	ø19,05 (3/4)	ø22,2 (7/8)
P240T/YSNU	P120	P120	ø22,2 (7/8)*2	ø34,93 (1-3/8)	ø19,05 (3/4)	ø28,58 (1-1/8)	ø19,05 (3/4)	ø28,58 (1-1/8)
P264T/YSNU	P144	P120	ø28,58 (1-1/8)	ø34,93 (1-3/8)	ø22,2 (7/8)	ø28,58 (1-1/8)	ø19,05 (3/4)	ø28,58 (1-1/8)
P288T/YSNU	P144	P144	ø28,58 (1-1/8)	ø34,93 (1-3/8)	ø22,2 (7/8)	ø28,58 (1-1/8)	ø22,2 (7/8)	ø28,58 (1-1/8)
P312T/YSNU	P168	P144	ø28,58 (1-1/8)	ø41,28 (1-5/8)	ø22,2 (7/8)	ø28,58 (1-1/8)	ø22,2 (7/8)	ø28,58 (1-1/8)
P336T/YSNU	P168	P168	ø28,58 (1-1/8)	ø41,28 (1-5/8)	ø22,2 (7/8)	ø28,58 (1-1/8)	ø22,2 (7/8)	ø28,58 (1-1/8)

Tubos A, A1, A2

[mm (pulg.)]

Modelo de unidad	Unidad combinada		Tubo A		Tubo A1*1		Tubo A2*1	
	Unidad 1	Unidad 2	Alta presión	Baja presión	Alta presión	Baja presión	Alta presión	Baja presión
EP72T/YNU	-	-	ø15,88 (5/8)	ø19,05 (3/4)	-	-	-	-
EP96T/YNU	-	-	ø19,05 (3/4)	ø22,2 (7/8)	-	-	-	-
EP120T/YNU	-	-	ø19,05 (3/4)	ø28,58 (1-1/8)	-	-	-	-
EP144T/YNU	-	-	ø22,2 (7/8)	ø28,58 (1-1/8)	-	-	-	-
EP168T/YNU	-	-	ø22,2 (7/8)	ø28,58 (1-1/8)	-	-	-	-
EP192T/YNU	-	-	ø22,2 (7/8)	ø28,58 (1-1/8)	-	-	-	-
EP192T/YSNU	EP96	EP96	ø22,2 (7/8)	ø28,58 (1-1/8)	ø19,05 (3/4)	ø22,2 (7/8)	ø19,05 (3/4)	ø22,2 (7/8)
EP216T/YNU	-	-	ø22,2 (7/8)*2	ø28,58 (1-1/8)	-	-	-	-
EP216T/YSNU	EP120	EP96	ø22,2 (7/8)*2	ø28,58 (1-1/8)	ø19,05 (3/4)	ø28,58 (1-1/8)	ø19,05 (3/4)	ø22,2 (7/8)
EP240T/YNU	-	-	ø22,2 (7/8)*2	ø34,93 (1-3/8)	-	-	-	-
EP240T/YSNU	EP120	EP120	ø22,2 (7/8)*2	ø34,93 (1-3/8)	ø19,05 (3/4)	ø28,58 (1-1/8)	ø19,05 (3/4)	ø28,58 (1-1/8)
EP264T/YSNU	EP144	EP120	ø28,58 (1-1/8)	ø34,93 (1-3/8)	ø22,2 (7/8)	ø28,58 (1-1/8)	ø19,05 (3/4)	ø28,58 (1-1/8)
EP288T/YSNU	EP144	EP144	ø28,58 (1-1/8)	ø34,93 (1-3/8)	ø22,2 (7/8)	ø28,58 (1-1/8)	ø22,2 (7/8)	ø28,58 (1-1/8)
EP312T/YSNU	EP168	EP144	ø28,58 (1-1/8)	ø41,28 (1-5/8)	ø22,2 (7/8)	ø28,58 (1-1/8)	ø22,2 (7/8)	ø28,58 (1-1/8)
EP336T/YSNU	EP168	EP168	ø28,58 (1-1/8)	ø41,28 (1-5/8)	ø22,2 (7/8)	ø28,58 (1-1/8)	ø22,2 (7/8)	ø28,58 (1-1/8)
EP384T/YSNU	EP192	EP192	ø28,58 (1-1/8)	ø41,28 (1-5/8)	ø22,2 (7/8)	ø28,58 (1-1/8)	ø22,2 (7/8)	ø28,58 (1-1/8)
EP432T/YSNU	EP216	EP216	ø28,58 (1-1/8)	ø41,28 (1-5/8)	ø22,2 (7/8)	ø28,58 (1-1/8)	ø22,2 (7/8)	ø28,58 (1-1/8)

\*1 Si la combinación de unidades 1 y 2 sigue un orden distinto al indicado en la tabla, asegúrese de utilizar los tubos del tamaño adecuado para cada situación.

\*2 Si la longitud del "tubo de alta presión A" supera los 65 m (213 pies), use los tubos de ø28,58 (ø1-1/8) para todos los tramos que superen los 65 m (213 pies).

Tubo B

[mm (pulg.)]

Capacidad total de las unidades interiores	Tubo	
	Líquido	Gas
30 o inferior	ø9,52 (ø3/8)	ø15,88 (ø5/8)

Tubos C, D, E, F, G, H, I (\*)

[mm (pulg.)]

Número total de las unidades interiores aguas abajo	Tubo		
	Alta presión	Baja presión	Líquido
72 o inferior	ø15,88 (ø5/8)	ø19,05 (ø3/4)	ø9,52 (ø3/8)
73 a 108	ø19,05 (ø3/4)	ø22,2 (ø7/8)	ø9,52 (ø3/8)
109 a 126	ø19,05 (ø3/4)	ø28,58 (ø1-1/8)	ø12,7 (ø1/2)
127 a 144	ø22,2 (ø7/8)	ø28,58 (ø1-1/8)	ø12,7 (ø1/2)
145 a 216	ø22,2 (ø7/8)	ø28,58 (ø1-1/8)	ø15,88 (ø5/8)
217 a 234	ø28,58 (ø1-1/8)	ø28,58 (ø1-1/8)	ø15,88 (ø5/8)
235 a 288	ø28,58 (ø1-1/8)	ø34,93 (ø1-3/8)	ø19,05 (ø3/4)
289 a 360	ø28,58 (ø1-1/8)	ø41,28 (ø1-5/8)	ø19,05 (ø3/4)
361 o superior	ø34,93 (ø1-3/8)	ø41,28 (ø1-5/8)	ø19,05 (ø3/4)

Tubos a, b, c, d, e, f, g, h (\*)

[mm (pulg.)]

Índice de capacidad de unidad interior	Tubo	
	Líquido	Gas
05, 06, 08, 12, 15, 18	ø6,35 (ø1/4)	ø12,7 (ø1/2)
24, 27, 30, 36, 48, 54	ø9,52 (ø3/8)	ø15,88 (ø5/8)
72	ø9,52 (ø3/8)	ø19,05 (ø3/4)
96	ø9,52 (ø3/8)	ø22,2 (ø7/8)

Tubos i, j, k, l (\*)

[mm (pulg.)]

Índice de capacidad de unidad interior	Tubo de líquido		Tubo de gas	
	i	j	k	l
36	ø9,52 (ø3/8)	ø9,52 (ø3/8)	ø15,88 (ø5/8)	ø15,88 (ø5/8)
48	ø9,52 (ø3/8)	ø9,52 (ø3/8)	ø15,88 (ø5/8)	ø15,88 (ø5/8)
54	ø9,52 (ø3/8)	ø9,52 (ø3/8)	ø15,88 (ø5/8)	ø15,88 (ø5/8)
72	ø9,52 (ø3/8)	ø9,52 (ø3/8)	ø19,05 (ø3/4)	ø15,88 (ø5/8)
96	ø9,52 (ø3/8)	ø9,52 (ø3/8)	ø22,2 (ø7/8)	ø15,88 (ø5/8)

\* Si la longitud del tubo de alta presión o el tubo de líquidos supera la restricción, use un tubo de mayor tamaño. Consulte el Manual de instalación del controlador BC para obtener más detalles.

## 9-5. Conexiones de los tubos y funcionamiento de las válvulas

### ⚠ ADVERTENCIA

Antes de calentar las secciones soldadas, purgue el gas y el aceite atrapado en los tubos.

- No hacerlo podría dar lugar a un incendio, con la consecuente posibilidad de lesiones graves.

Ventile la habituación durante las tareas de mantenimiento de la unidad.

- Las fugas de refrigerante pueden producir una deficiencia de oxígeno. Si el refrigerante entra en contacto con una fuente de calor, generará gases tóxicos.

### PRECAUCIÓN

Guarde los tubos bajo techo y mantenga ambos extremos sellados hasta justo antes de realizar una conexión abocinada o una soldadura. (Guarde los codos y otras juntas en bolsas de plástico).

- Si entra polvo, suciedad o agua en los tubos de refrigerante, el aceite refrigerante se deteriorará y causará un mal funcionamiento del compresor.

Mantenga las válvulas de servicio cerradas hasta que se complete la carga de refrigerante.

- De lo contrario, la unidad resultará dañada.

Coloque una toalla mojada sobre las válvulas de servicio antes de soldar tubos para mantener la temperatura de las válvulas por debajo de 120 °C (248 °F).

- Si no lo hace, podría dañar el equipo.

Evite que las llamas alcancen los cables y la lámina metálica cuando suelde los tubos.

- De lo contrario, podrían producirse roturas o averías.

Suelde los tubos con una purga de nitrógeno para evitar la oxidación.

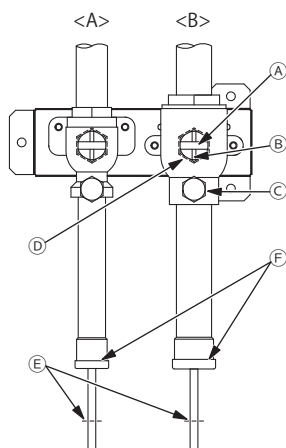
- El flujo oxidado del interior de los tubos de refrigerante deteriorará el aceite refrigerante y causará un mal funcionamiento del compresor.

### 9-5-1. Desmontaje de los tubos de conexión pinzados

La unidad se envía con los tubos de conexión pinzados instalados en las válvulas de servicio del lado de alta y baja presión para evitar fugas de gas.

Siga los pasos ① a ③ para desmontar los tubos de conexión pinzados antes de conectar los tubos de refrigerante a la unidad exterior.

- ① Compruebe que las válvulas de servicio del refrigerante estén completamente cerradas (giradas completamente en sentido horario).
- ② Purgue el gas de los tubos de conexión pinzados y drene completamente el aceite refrigerante. (Consulte ⑤ a continuación).
- ③ Desmonte los tubos de conexión pinzados. (Consulte ⑥ a continuación).



<A> Válvula de servicio del refrigerante (alta presión/soldada)

<B> Válvula de servicio del refrigerante (baja presión/soldada)

A) Eje de la válvula

La unidad se envía con la válvula cerrada.

Mantenga la válvula cerrada durante la conexión de los tubos o la evacuación del sistema.

Abra la válvula cuando haya finalizado estos trabajos.

Gire el eje en sentido antihorario (90°) para abrir la válvula y en sentido horario para cerrarla.

B) Pasador de retención

Impide que el eje gire 90° o más.

C) Puerto de servicio

Los puertos de servicio le permiten cargar refrigerante, purgar el gas de los tubos de conexión pinzados o evacuar el sistema.

D) Tapa

Quite la tapa antes de girar el eje. Vuelva a instalar la tapa cuando finalice estos trabajos.

E) Sección cortada del tubo de conexión pinzado

F) Sección soldada del tubo de conexión pinzado

### 9-5-2. Tubos de conexión

- El tubo de refrigerante procedente de la unidad exterior se bifurca en el extremo del tubo y cada bifurcación se conecta entonces a una unidad interior.

		Método de conexión
Unidad interior		Soldada o abocinada
Unidad exterior	Tubo de alta presión	Soldada
	Tubo de baja presión	Soldada
Sección bifurcada		Soldada

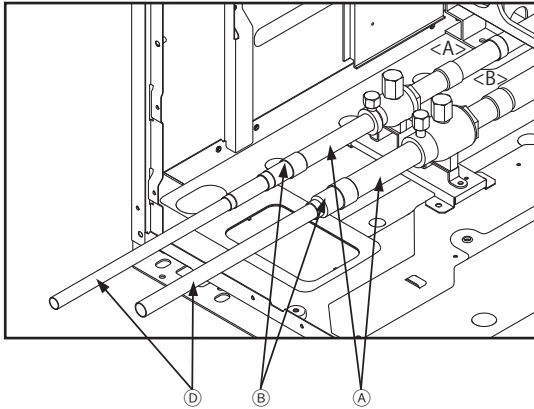
- Antes de conectar los tubos, asegúrese de que las válvulas de servicio estén completamente cerradas.
- Los tubos disponibles en el mercado suelen contener polvo o residuos. Límpielos siempre a fondo mediante soplado con gas seco inerte.
- Durante la instalación, evite el ingreso de polvo, agua u otros contaminantes en los tubos.
- Reduzca el número de codos al mínimo necesario y procure que los radios de curvatura sean del mayor valor posible.

- No utilice antioxidantes comerciales, ya que pueden provocar corrosión en los tubos y degradar el aceite refrigerante. Si desea más información, póngase en contacto con Mitsubishi Electric.
- Asegúrese de que los tubos no entren en contacto con otros tubos, paneles de unidad o placas base.
- Consulte el manual de instalación del kit de emparejamiento para instalar el kit de emparejamiento.

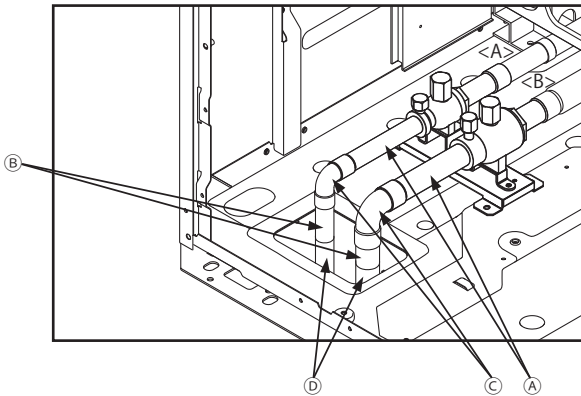
<Ejemplos de conexión de tubos de refrigerante>

- Obtenga juntas y codos in situ según sea necesario de acuerdo con el diámetro del tubo y conecte los tubos como se muestra en las figuras a continuación.

(1) Cuando pase los tubos por la parte delantera de la unidad



(2) Cuando pase los tubos por la parte inferior de la unidad



- <A> Lado de alta presión
- <B> Lado de baja presión
- Ⓐ Tubos de la válvula de servicio del refrigerante
- Ⓑ Reductor, etc.
- Ⓒ Codo
- Ⓓ Tubería in situ

<Referencia> Tamaño de los tubos de refrigerante

	Tubos in situ [mm (pulg.)]		Tubos de la válvula de servicio [mm (pulg.)]	
	Lado de alta presión	Lado de baja presión	Lado de alta presión	Lado de baja presión
P72	ø15,88 (ø5/8)	ø19,05 (ø3/4)	ø22,2 (ø7/8)	ø28,58 (ø1-1/8)
P96	ø19,05 (ø3/4)	ø22,2 (ø7/8)	ø28,58 (ø1-1/8)	
P120		ø28,58 (ø1-1/8)		
P144	ø22,2 (ø7/8)			
P168				

	Tubos in situ [mm (pulg.)]		Tubos de la válvula de servicio [mm (pulg.)]	
	Lado de alta presión	Lado de baja presión	Lado de alta presión	Lado de baja presión
EP72	ø15,88 (ø5/8)	ø19,05 (ø3/4)	ø22,2 (ø7/8)	ø28,58 (ø1-1/8)
EP96	ø19,05 (ø3/4)	ø22,2 (ø7/8)	ø28,58 (ø1-1/8)	
EP120		ø28,58 (ø1-1/8)		
EP144	ø22,2 (ø7/8)			
EP168				
EP192	ø22,2 (ø7/8)			
EP216				
EP240		ø34,93 (ø1-3/8)		

- A la hora de extender los tubos in situ, respete el requisito de profundidad de inserción mínima indicado a continuación.

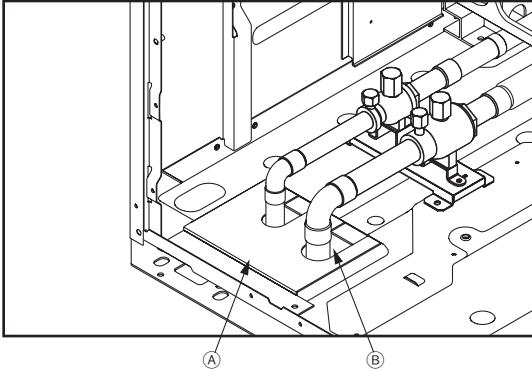
Tamaño de tubo [mm (pulg.)]	Profundidad de inserción mínima [mm (pulg.)]
ø5 (ø1/4) o más, menos de ø8 (ø3/8)	6 (1/4)
ø8 (ø3/8) o más, menos de ø12 (ø1/2)	7 (5/16)
ø12 (ø1/2) o más, menos de ø16 (ø11/16)	8 (3/8)
ø16 (ø11/16) o más, menos de ø25 (ø1)	10 (7/16)
ø25 (ø1) o más, menos de ø35 (ø1-7/16)	12 (1/2)
ø35 (ø1-7/16) o más, menos de ø45 (ø1-13/16)	14 (9/16)

### 9-5-3. Sellado de las aperturas de los tubos

## ! ADVERTENCIA

Selle todas las aperturas alrededor de tubos y cables para evitar la entrada de pequeños animales, lluvia o nieve.

- No hacerlo puede derivar en fugas de corriente, descargas eléctricas o daños a la unidad.



- (A) Ejemplo de materiales de cierre (no suministrados)
- (B) Rellene las aperturas

### 9-6. Prueba de estanqueidad

## ! ADVERTENCIA

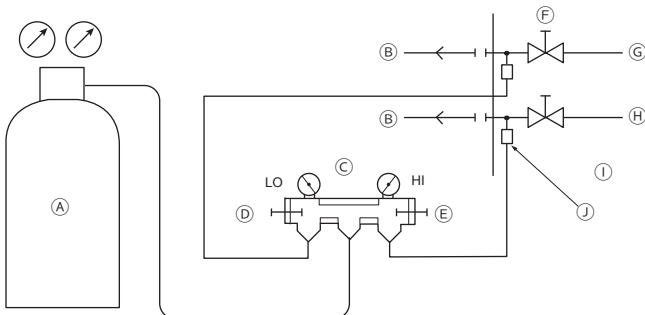
No utilice oxígeno, gas inflamable o refrigerantes que contenga cloro para las pruebas de estanqueidad.

- De lo contrario, podría producirse una explosión. El cloro deteriorará el aceite refrigerante.

Una vez completada la instalación de los tubos, compruebe si el sistema contiene fugas realizando una prueba de estanqueidad. En caso de fuga, el compuesto del refrigerante cambiará y su rendimiento descenderá.

<Procedimientos de la prueba de estanqueidad>

- 1 Asegúrese de que las válvulas de servicio estén cerradas.
- 2 Aumente la presión de los tubos de refrigerante a través de los puertos de servicio de los tubos de alta y baja presión.
  - \* Presurice a la presión de diseño (4,15 MPa) utilizando gas nitrógeno.
- 3 Si la presión se mantiene durante un día y no baja, los tubos han superado la prueba y no contienen fugas. Si la presión baja, existe una fuga. Busque el origen de la fuga pulverizando un agente burbujeante (Gupoflex, etc.) en las secciones abocinada y soldada.
- 4 Limpie el agente burbujeante.



- (A) Gas nitrógeno
- (B) A la unidad interior
- (C) Distribuidor
- (D) Grifo de baja presión
- (E) Grifo de alta presión
- (F) Válvula de servicio
- (G) Tubo de baja presión
- (H) Tubo de alta presión
- (I) Unidad exterior
- (J) Puerto de servicio

## 9-7. Aislamiento térmico para tubos

### PRECAUCIÓN

#### Aísle los tubos para evitar la formación de condensación.

- La condensación puede provocar la caída de gotas desde la unidad al techo o al suelo.

Aísle los tubos de alta y baja presión, y los tubos de líquido y de gas por separado con materiales aislantes de espuma de polietileno. Un aislamiento inadecuado puede producir condensación con el consecuente goteo. Los tubos del techo son especialmente vulnerables a la condensación y requieren un aislamiento adecuado.

#### 9-7-1. Material aislante

- Compruebe que los materiales de aislamiento cumplan con los estándares de la siguiente tabla.

Entre una unidad exterior y el controlador BC

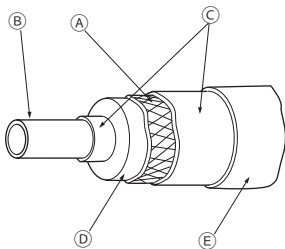
	Tubo de alta presión	Tubo de baja presión
Espesor [mm (pulg.)]	Mín. 10 (7/16)	Mín. 20 (13/16)
Resistencia térmica	Mín. 120°C (248°F)	

Entre un controlador BC y la unidad interior (sistema R2)

	Tamaño de tubo [mm (pulg.)]	
	ø6,35 (ø1/4)–ø25,4 (ø1)	ø28,58 (ø1-1/8)–ø38,1 (ø1-1/2)
Espesor [mm (pulg.)]	Mín. 10 (7/16)	Mín. 15 (5/8)
Resistencia térmica	Mín. 120°C (248°F)	

\* En condiciones de mucha temperatura/humedad, podría necesitar aumentar el espesor del aislamiento.

\* Incluso cuando su cliente establezca sus propias especificaciones, deberá cumplir con los estándares de la tabla.

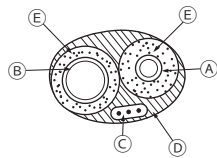
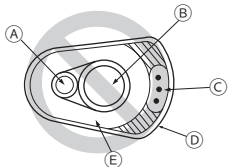


- (A) Alambre de acero
- (B) Tubo
- (C) Tela asfáltica oleaginosa o asfalto
- (D) Material aislante A
- (E) Cobertura exterior B

Material aislante A	Fibra de vidrio + alambre de acero	
	Adhesivo + espuma de polietileno termorresistente + cinta adhesiva	
Cobertura exterior B	Interior	Cinta de vinilo
	Debajo del suelo y expuesto	Tela de cáñamo estanca + asfalto bronce
	Exterior	Tela de cáñamo estanca + placa de cinc + pintura oleaginosa

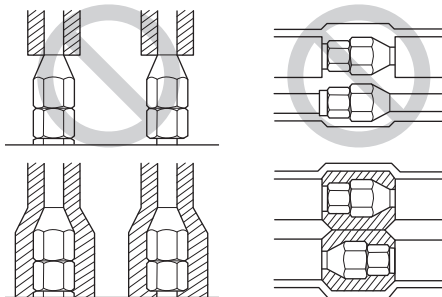
\* Si se utiliza polietileno como material de recubrimiento exterior, no se requiere tela asfáltica.

- No aisle los cables eléctricos.



- (A) Tubo de alta presión o tubo de líquido
- (B) Tubo de baja presión o tubo de gas
- (C) Cable eléctrico
- (D) Cinta aislante
- (E) Material aislante

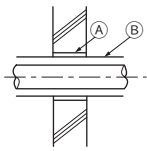
- Asegúrese de aislar correcta y completamente las conexiones de los tubos procedentes de la unidad interior.



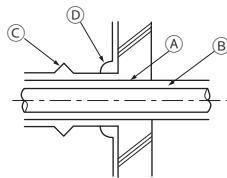


## 9-7-2. Aislamiento de la sección de tubo penetrante en pared

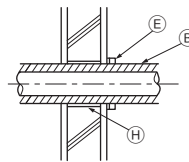
(1) Pared interior (cerrada)



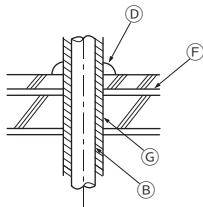
(2) Pared exterior



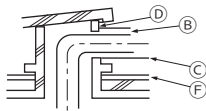
(3) Pared exterior (expuesta)



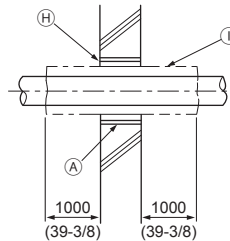
(4) Suelo (estanco)



(5) Paso de tubo por techo



(6) Protección de las piezas penetrantes en paredes antiincendios y divisorias



[mm (pulg.)]

- (A) Manguito
- (B) Material aislante
- (C) Encofrado
- (D) Material de calafateado
- (E) Banda
- (F) Capa estanca
- (G) Manguito con brida
- (H) Calafatee con un material no inflamable como el mortero.
- (I) Material aislante no inflamable

- Cuando calafatee algún hueco con mortero, cubra la sección del tubo que penetra en la pared con una lámina metálica para evitar que el material aislante se reblandezca. Para cubrir esta sección, utilice materiales de aislamiento y recubrimiento no inflamables. (No utilice cinta de vinilo).

## 9-8. Evacuación del sistema

### ! ADVERTENCIA

**No purgue el aire utilizando refrigerante. Utilice una bomba de vacío para evacuar el sistema.**

- El gas residual de los tubos de refrigerante hará estallar los tubos o provocará una explosión.

### PRECAUCIÓN

**Utilice una bomba de vacío con válvula de retención.**

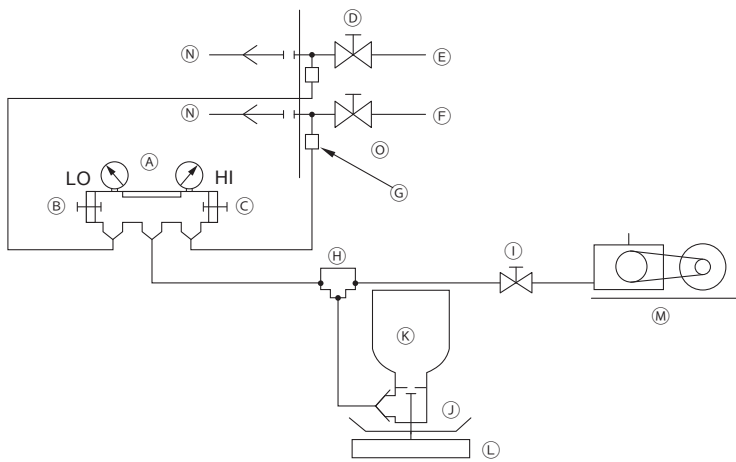
- Si el aceite de la bomba de vacío retorna a los tubos de refrigerante, el aceite refrigerante podría deteriorarse y causar un mal funcionamiento del compresor.

<Procedimientos de evacuación>

- ① Evacue el sistema desde ambos puertos de servicio utilizando una bomba de vacío con las válvulas de servicio cerradas.
- ② Una vez el vacío alcance los 650 Pa (0,0943 psi/5 Torr), continúe la evacuación durante al menos una hora.
- ③ Detenga la bomba de vacío y espere una hora.
- ④ Verifique que el vacío no haya aumentado a más de 130 Pa (0,01886 psi/1 Torr).
- ⑤ Si el vacío ha aumentado a más de 130 Pa, es posible que se haya producido alguna infiltración de agua. Presurice el sistema con gas nitrógeno seco hasta alcanzar los 0,05 MPa (7,25 psi/375 Torr). Repita los pasos ① a ⑤ hasta que el vacío aumente a 130 Pa como máximo. Si los resultados persisten, realice la "Evacuación triple" descrita a continuación.

<Evacuación triple>

- ① Evacue el sistema hasta 533 Pa (0,07729 psi/4 Torr) desde ambos puertos de servicio con una bomba de vacío.
- ② Presurice el sistema con gas nitrógeno seco hasta 0 Pa (0 psi/0 Torr) desde el puerto de servicio de descarga.
- ③ Evacue el sistema hasta 200 Pa (0,029 psi/1,5 Torr) desde el puerto de servicio de aspiración con una bomba de vacío.
- ④ Presurice el sistema con gas nitrógeno seco hasta 0 Pa (0 psi/0 Torr) desde el puerto de servicio de descarga.
- ⑤ Evacue el sistema desde ambos puertos de servicio con una bomba de vacío.
- ⑥ Una vez el vacío alcance los 66,7 Pa (0,09672 psi/5 Torr), detenga la bomba de vacío y espere una hora. Mantenga un vacío de 66,7 Pa durante al menos una hora.
- ⑦ Verifique que el vacío no haya aumentado durante al menos 30 minutos.



- (A) Distribuidor
- (B) Grifo de baja presión
- (C) Grifo de alta presión
- (D) Válvula de servicio
- (E) Tubo de baja presión
- (F) Tubo de alta presión
- (G) Puerto de servicio
- (H) Pieza de unión de 3 vías
- (I) Válvula (bomba de vacío)
- (J) Válvula (para cargar refrigerante)
- (K) Depósito del refrigerante
- (L) Balanza
- (M) Bomba de vacío
- (N) A la unidad interior
- (O) Unidad exterior

- Utilice una báscula que pueda medir hasta 0,1 kg (0,1 onzas).
- Vacuómetro recomendado: vacuómetro con termistor ROBINAIR 14830A o calibre en micras
- No utilice un manómetro distribuidor para medir la presión de vacío.
- Utilice una bomba de vacío capaz de alcanzar un vacío de 65 Pa (abs) durante los cinco minutos posteriores a la puesta en marcha.

## 9-9. Carga adicional de refrigerante

### PRECAUCIÓN

#### Cargue el refrigerante en estado líquido.

- Cargar refrigerante en estado gaseoso cambiará la composición del refrigerante y reducirá su rendimiento.

#### No utilice cilindros de carga para cargar el refrigerante.

- El uso de un cilindro de carga cambiará la composición del refrigerante y reducirá su rendimiento.

La cantidad de refrigerante que se muestra en la siguiente tabla es la cantidad cargada de fábrica en las unidades exteriores. Esta carga no incluye la cantidad necesaria para tuberías aumentadas y que deberá añadir in situ.

Modelo de unidad	Cantidad cargada de fábrica [kg (onzas)]
P72	5,2 (184)
P96	8,0 (283)
P120	8,0 (283)
P144	10,8 (381)
P168	10,8 (381)

Modelo de unidad	Cantidad cargada de fábrica [kg (onzas)]
EP72	5,2 (184)
EP96	8,0 (283)
EP120	8,0 (283)
EP144	10,8 (381)
EP168	10,8 (381)
EP192	11,8 (416)
EP216	11,8 (416)
EP240	11,8 (416)

La cantidad de refrigerante que muestra la siguiente tabla es la cantidad máxima que podrá añadir in situ.

Modelo de unidad	Cantidad máxima añadida [kg (onzas)]
P72T/YNU	28,3 (999)
P96T/YNU	33,5 (1182)
P120T/YNU	39,5 (1394)
P144T/YNU	38,5 (1359)
P168T/YNU	39,5 (1394)
P192T/YSNU	58 (2046)
P216T/YSNU	74 (2611)
P240T/YSNU	74 (2611)
P264T/YSNU	71,2 (2512)
P288T/YSNU	68,4 (2413)
P312T/YSNU	68,4 (2413)
P336T/YSNU	68,4 (2413)

Modelo de unidad	Cantidad máxima añadida [kg (onzas)]
EP72T/YNU	28,3 (999)
EP96T/YNU	33,5 (1182)
EP120T/YNU	39,5 (1394)
EP144T/YNU	38,5 (1359)
EP168T/YNU	39,5 (1394)
EP192T/YNU	38,5 (1359)
EP192T/YSNU	58 (2046)
EP216T/YNU	38,5 (1359)
EP216T/YSNU	74 (2611)
EP240T/YNU	38,5 (1359)
EP240T/YSNU	74 (2611)
EP264T/YSNU	71,2 (2512)
EP288T/YSNU	68,4 (2413)
EP312T/YSNU	68,4 (2413)
EP336T/YSNU	68,4 (2413)
EP384T/YSNU	66,4 (2343)
EP432T/YSNU	66,4 (2343)

La cantidad de refrigerante que se muestra en la siguiente tabla es la cantidad total máxima en el sistema.

Modelo de unidad	Cantidad total máxima en el sistema [kg (onzas)]
P72T/YNU	33,5 (1182)
P96T/YNU	41,5 (1464)
P120T/YNU	47,5 (1676)
P144T/YNU	49,3 (1739)
P168T/YNU	50,3 (1775)
P192T/YSNU	74 (2611)
P216T/YSNU	90 (3175)
P240T/YSNU	90 (3175)
P264T/YSNU	90 (3175)
P288T/YSNU	90 (3175)
P312T/YSNU	90 (3175)
P336T/YSNU	90 (3175)

Modelo de unidad	Cantidad total máxima en el sistema [kg (onzas)]
EP72T/YNU	33,5 (1182)
EP96T/YNU	41,5 (1464)
EP120T/YNU	47,5 (1676)
EP144T/YNU	49,3 (1739)
EP168T/YNU	50,3 (1775)
EP192T/YNU	50,3 (1775)
EP192T/YSNU	74 (2611)
EP216T/YNU	50,3 (1775)
EP216T/YSNU	90 (3175)
EP240T/YNU	50,3 (1775)
EP240T/YSNU	90 (3175)
EP264T/YSNU	90 (3175)
EP288T/YSNU	90 (3175)
EP312T/YSNU	90 (3175)
EP336T/YSNU	90 (3175)
EP384T/YSNU	90 (3175)
EP432T/YSNU	90 (3175)

Tanto el exceso como la falta de refrigerante provocarán problemas. Cargue el sistema con la cantidad apropiada de refrigerante. Registre la cantidad de refrigerante añadida en la etiqueta adherida al panel de la caja de control para tareas de mantenimiento futuras.

### 9-9-1. Cálculo de la cantidad de refrigerante adicional

- La cantidad de refrigerante que debe añadirse depende del tamaño y de la longitud total de los tubos de alta presión y de los tubos de líquido.
- Calcule la cantidad de refrigerante que debe cargar utilizando la siguiente fórmula.
- Redondee al alza el resultado del cálculo a 0,1 kg (0,1 onzas).

#### (1) Unidades "m" y "onzas" (en un sistema R2)

<Fórmula>

- Cuando la longitud de los tubos desde la unidad exterior a la unidad interior más lejana sea de 30,5 m (100 pies) o menos

Cantidad de carga adicional (kg)	=	Tubo de alta presión con $\phi 28,58$ de longitud total $\times 0,36$ (kg/m)	+	Tubo de alta presión con $\phi 22,2$ de longitud total $\times 0,23$ (kg/m)	+	Tubo de alta presión con $\phi 19,05$ de longitud total $\times 0,16$ (kg/m)	+	Tubo de alta presión con $\phi 15,88$ de longitud total $\times 0,11$ (kg/m)
	+	Tubo de líquido con $\phi 15,88$ de longitud total $\times 0,2$ (kg/m)	+	Tubo de líquido con $\phi 12,7$ de longitud total $\times 0,12$ (kg/m)	+	Tubo de líquido con $\phi 9,52$ de longitud total $\times 0,06$ (kg/m)	+	Tubo de líquido con $\phi 6,35$ de longitud total $\times 0,024$ (kg/m)
	+	Controlador BC principal o subordinado		Cantidad (kg/unidad)		Capacidad total de unidades interiores conectadas		Cantidad (kg) (añadir en caso de unidad interior)
		Tipo J	1,5	27 o inferior	2,0			
		Tipo JA	3,0	28 a 54	2,5			
		Tipo KA	4,7	55 a 126	3,0			
		Tipo KB	0,4	127 a 144	3,5			
				145 a 180	4,5			
				181 a 234	5,0			
				235 a 273	6,0			
				274 a 307	8,0			
				308 a 342	9,0			
				343 a 411	10,0			
				412 a 450	12,0			
				451 o superior	14,0			

Capacidad total de las unidades exteriores		Cantidad (kg) (añadir en caso de unidad exterior)
Sencillo	72	0
	96	0
	120	0
	144	0
	168	0
	192	4,4
	216	4,4
240	4,4	
Combinación	192	0
	216	0
	240	0
	264	0
	288	0
	312	0
	336	0
	384	8,8
432	8,8	

+

Capacidad total de las unidades exteriores		Cantidad (kg)
Sencillo	72	1,5
	96	1,5
	120	3,0
	144	2,5
	168	4,0
	192	3,5
	216	4,0
240	4,5	
Combinación	192	4,0
	216	4,5
	240	5,0
	264	2,5
	288	1,5
	312	2,0
	336	2,0
	384	0
432	0	

\*En el caso de que todos los modelos de unidades interiores conectados sean del Caso 1 o Caso 2, NO añada el refrigerante que se indica en la tabla (A). En su lugar, añada la siguiente cantidad de refrigerante.

Caso 1 : PLFY-EP06/18/36NEMU-E\*\*

→ Añada 0,67 kg por PLFY-EP06/18/36NEMU-E\*\*.

Caso 2 : PEFY-P06/24/36NMAU-E\*\*

→ Añada 0,55 kg por PEFY-P06/24/36NMAU-E\*\*.

- Cuando la longitud de los tubos desde la unidad exterior a la unidad interior más lejana sea superior a 30,5 m (100 pies)

Cantidad de carga adicional (kg)	=	Tubo de alta presión con ø28,58 de longitud total × 0,33 (kg/m)	+	Tubo de alta presión con ø22,2 de longitud total × 0,21 (kg/m)	+	Tubo de alta presión con ø19,05 de longitud total × 0,14 (kg/m)	+	Tubo de alta presión con ø15,88 de longitud total × 0,1 (kg/m)
	+	Tubo de líquido con ø15,88 de longitud total × 0,18 (kg/m)	+	Tubo de líquido con ø12,7 de longitud total × 0,11 (kg/m)	+	Tubo de líquido con ø9,52 de longitud total × 0,054 (kg/m)	+	Tubo de líquido con ø6,35 de longitud total × 0,021 (kg/m)
	+	Controlador BC principal o subordinado		Cantidad (kg/unidad)		Capacidad total de unidades interiores conectadas		Cantidad (kg) (añadir en caso de unidad interior)
		Tipo J		1,5		27 o inferior	2,0	
		Tipo JA		3,0		28 a 54	2,5	
		Tipo KA		4,7		55 a 126	3,0	
		Tipo KB		0,4		127 a 144	3,5	
					+	145 a 180	4,5	
						181 a 234	5,0	
						235 a 273	6,0	
						274 a 307	8,0	
						308 a 342	9,0	
						343 a 411	10,0	
						412 a 450	12,0	
						451 o superior	14,0	

Capacidad total de las unidades exteriores		Cantidad (kg) (añadir en caso de unidad exterior)
Sencillo	72	0
	96	0
	120	0
	144	0
	168	0
	192	4,4
	216	4,4
	240	4,4
Combinación	192	0
	216	0
	240	0
	264	0
	288	0
	312	0
	336	0
	384	8,8
432	8,8	

\*Al conectar la unidad PLFY-EP06NEMU-E\*\*, PLFY-EP18NEMU-E\*\* o PLFY-EP36NEMU-E\*\* añada 0,67 kg de refrigerante por cada unidad interior.

\*Al conectar la unidad PEFY-P06NMAU-E\*\*, PEFY-P24NMAU-E\*\* o PEFY-P36NMAU-E\*\* añada 0,55 kg de refrigerante por cada unidad interior.

<Ejemplo>

Modelo de unidad exterior 1: P120

Modelo de unidad exterior 2: P120

Modelo de controlador BC (principal): CMB-P108NU-JA1

Modelo de controlador BC (subordinado): CMB-P104NU-KB1 × 4 unidades

Capacidad total de unidades interiores conectadas: 206

\* Consulte algunos ejemplos de conexión de tubo en la sección 9-4 de los tubos marcados con las siguientes letras.

- A: ø28,58; 40 m
- B: ø9,52; 10 m
- C: ø9,52; 5 m
- D: ø9,52; 5 m
- E: ø9,52; 5 m
- F: ø9,52; 5 m
- G: ø9,52; 5 m
- H: ø9,52; 5 m
- I: ø9,52; 5 m
- A<sub>1</sub>: ø19,05; 3 m
- A<sub>2</sub>: ø19,05; 1 m
- a: ø9,52; 10 m
- b: ø9,52; 5 m
- c: ø6,35; 5 m
- d: ø6,35; 10 m

- e: ø6,35; 5 m
- f: ø9,52; 5 m
- g: ø9,52; 5 m
- h: ø9,52; 5 m

La longitud total de los tubos de alta presión y de los tubos de líquido en cada caso es la siguiente:

Longitud total de ø28,58: 40 (A)

Longitud total de ø19,05: 3 (A<sub>1</sub>) + 1 (A<sub>2</sub>) = 4

Longitud total de ø9,52: 10 (B) + 5 (C) + 5 (D) + 5 (E) + 5 (F) + 5 (G) + 5 (H) + 5 (I) + 10 (a) + 5 (b) + 5 (f) + 5 (g) + 5 (h) = 75

Longitud total de ø6,35: 5 (c) + 10 (d) + 5 (e) = 20

Por tanto, cuando la longitud de los tubos desde la unidad exterior a la unidad interior más lejana sea superior a 30,5 m (100 pies),

Cantidad de carga adicional = (40 × 0,33) + (4 × 0,14) + (75 × 0,054) + (20 × 0,021) + 3,0 + (0,4 × 4) + 5

= 27,9 kg (las fracciones se redondean al alza).

(2) Unidades "pies" y "onzas" (en un sistema R2)

<Fórmula>

- Cuando la longitud de los tubos desde la unidad exterior a la unidad interior más lejana sea de 30,5 m (100 pies) o menos

Cantidad de carga adicional (onzas)	=	Tubo de alta presión con longitud total de ø1-1/8 × 3,88 (onzas/pies)	+	Tubo de alta presión con longitud total de ø7/8 × 2,48 (onzas/pies)	+	Tubo de alta presión con longitud total de ø3/4 × 1,73 (onzas/pies)	+	Tubo de alta presión con longitud total de ø5/8 × 1,19 (onzas/pies)																									
	+	Tubo de líquido con longitud total de ø5/8 × 2,16 (onzas/pies)	+	Tubo de líquido con longitud total de ø1/2 × 1,30 (onzas/pies)	+	Tubo de líquido con longitud total de ø3/8 × 0,65 (onzas/pies)	+	Tubo de líquido con longitud total de ø1/4 × 0,26 (onzas/pies)																									
	+	<table border="1"> <thead> <tr> <th>Controlador BC principal o subordinado</th> <th>Cantidad (onzas/unidad)</th> </tr> </thead> <tbody> <tr> <td>Tipo J</td> <td>53</td> </tr> <tr> <td>Tipo JA</td> <td>106</td> </tr> <tr> <td>Tipo KA</td> <td>166</td> </tr> <tr> <td>Tipo KB</td> <td>15</td> </tr> </tbody> </table>		Controlador BC principal o subordinado	Cantidad (onzas/unidad)	Tipo J	53	Tipo JA	106	Tipo KA	166	Tipo KB	15																				
Controlador BC principal o subordinado	Cantidad (onzas/unidad)																																
Tipo J	53																																
Tipo JA	106																																
Tipo KA	166																																
Tipo KB	15																																
	+	<table border="1"> <thead> <tr> <th>Capacidad total de unidades interiores conectadas</th> <th>Cantidad (onzas) (añadir en caso de unidad interior)</th> </tr> </thead> <tbody> <tr> <td>27 o inferior</td> <td>71</td> </tr> <tr> <td>28 a 54</td> <td>89</td> </tr> <tr> <td>55 a 126</td> <td>106</td> </tr> <tr> <td>127 a 144</td> <td>124</td> </tr> <tr> <td>145 a 180</td> <td>159</td> </tr> <tr> <td>181 a 234</td> <td>177</td> </tr> <tr> <td>235 a 273</td> <td>212</td> </tr> <tr> <td>274 a 307</td> <td>283</td> </tr> <tr> <td>308 a 342</td> <td>318</td> </tr> <tr> <td>343 a 411</td> <td>353</td> </tr> <tr> <td>412 a 450</td> <td>424</td> </tr> <tr> <td>451 o superior</td> <td>494</td> </tr> </tbody> </table>		Capacidad total de unidades interiores conectadas	Cantidad (onzas) (añadir en caso de unidad interior)	27 o inferior	71	28 a 54	89	55 a 126	106	127 a 144	124	145 a 180	159	181 a 234	177	235 a 273	212	274 a 307	283	308 a 342	318	343 a 411	353	412 a 450	424	451 o superior	494				
Capacidad total de unidades interiores conectadas	Cantidad (onzas) (añadir en caso de unidad interior)																																
27 o inferior	71																																
28 a 54	89																																
55 a 126	106																																
127 a 144	124																																
145 a 180	159																																
181 a 234	177																																
235 a 273	212																																
274 a 307	283																																
308 a 342	318																																
343 a 411	353																																
412 a 450	424																																
451 o superior	494																																

Capacidad total de las unidades exteriores		Cantidad (onzas) (añadir en caso de unidad exterior)
Sencillo	72	0
	96	0
	120	0
	144	0
	168	0
	192	156
	216	156
Combinación	240	156
	192	0
	216	0
	240	0
	264	0
	288	0
	312	0
	336	0
384	311	
432	311	

ⓑ

Capacidad total de las unidades exteriores		Cantidad (onzas)
Sencillo	72	53
	96	53
	120	106
	144	89
	168	142
	192	124
	216	142
Combinación	240	159
	192	142
	216	159
	240	177
	264	89
	288	53
	312	71
	336	71
384	0	
432	0	

\*En el caso de que todos los modelos de unidades interiores conectados sean del Caso 1 o Caso 2, NO añada el refrigerante que se indica en la tabla ⓑ. En su lugar, añada la siguiente cantidad de refrigerante.

Caso 1 : PLFY-EP06/18/36NEMU-E\*\*

→ Añada 24 onzas por PLFY-EP06/18/36NEMU-E\*\*.

Caso 2 : PEFY-P06/24/36NMAU-E\*\*

→ Añada 20 onzas por PEFY-P06/24/36NMAU-E\*\*.

- Cuando la longitud de los tubos desde la unidad exterior a la unidad interior más lejana sea superior a 30,5 m (100 pies)

Cantidad de carga adicional (onzas)	=	Tubo de alta presión con longitud total de $\varnothing 1-1/8$ × 3,54 (onzas/pies)	+	Tubo de alta presión con longitud total de $\varnothing 7/8$ × 2,26 (onzas/pies)	+	Tubo de alta presión con longitud total de $\varnothing 3/4$ × 1,51 (onzas/pies)	+	Tubo de alta presión con longitud total de $\varnothing 5/8$ × 1,08 (onzas/pies)
	+	Tubo de líquido con longitud total de $\varnothing 5/8$ × 1,94 (onzas/pies)	+	Tubo de líquido con longitud total de $\varnothing 1/2$ × 1,19 (onzas/pies)	+	Tubo de líquido con longitud total de $\varnothing 3/8$ × 0,59 (onzas/pies)	+	Tubo de líquido con longitud total de $\varnothing 1/4$ × 0,23 (onzas/pies)
	+	Controlador BC principal o subordinado		Cantidad (onzas/unidad)		Capacidad total de unidades interiores conectadas		Cantidad (onzas) (añadir en caso de unidad interior)
		Tipo J		53		27 o inferior		71
		Tipo JA		106		28 a 54		89
		Tipo KA		166		55 a 126		106
		Tipo KB		15		127 a 144		124
						145 a 180		159
						181 a 234		177
						235 a 273		212
						274 a 307		283
						308 a 342		318
						343 a 411		353
						412 a 450		424
						451 o superior		494

	Capacidad total de las unidades exteriores	Cantidad (onzas) (añadir en caso de unidad exterior)
Sencillo	72	0
	96	0
	120	0
	144	0
	168	0
	192	156
	216	156
	240	156
Combinación	192	0
	216	0
	240	0
	264	0
	288	0
	312	0
	336	0
	384	311
432	311	

\* Al conectar la unidad PLFY-EP06NEMU-E\*\*, PLFY-EP18NEMU-E\*\* o PLFY-EP36NEMU-E\*\* añada 24 onzas de refrigerante por cada unidad interior.

\* Al conectar la unidad PEFY-P06NMAU-E\*\*, PEFY-P24NMAU-E\*\* o PEFY-P36NMAU-E\*\* añada 20 onzas de refrigerante por cada unidad interior.

<Ejemplo>

Modelo de unidad exterior 1: P120

Modelo de unidad exterior 2: P120

Modelo de controlador BC (principal): CMB-P108NU-JA1

Modelo de controlador BC (subordinado): CMB-P104NU-KB1 × 4 unidades

Capacidad total de unidades interiores conectadas: 206

\* Consulte algunos ejemplos de conexión de tubo en la sección 9-4 de los tubos marcados con las siguientes letras.

- A:  $\varnothing 1-1/8$ ; 131 pies
- B:  $\varnothing 3/8$ ; 32 pies
- C:  $\varnothing 3/8$ ; 16 pies
- D:  $\varnothing 3/8$ ; 16 pies
- E:  $\varnothing 3/8$ ; 16 pies
- F:  $\varnothing 3/8$ ; 16 pies
- G:  $\varnothing 3/8$ ; 16 pies
- H:  $\varnothing 3/8$ ; 16 pies
- I:  $\varnothing 3/8$ ; 16 pies
- A1:  $\varnothing 3/4$ ; 9 pies
- A2:  $\varnothing 3/4$ ; 3 pies
- a:  $\varnothing 3/8$ ; 32 pies
- b:  $\varnothing 3/8$ ; 16 pies
- c:  $\varnothing 1/4$ ; 16 pies
- d:  $\varnothing 1/4$ ; 32 pies
- e:  $\varnothing 1/4$ ; 16 pies
- f:  $\varnothing 3/8$ ; 16 pies
- g:  $\varnothing 3/8$ ; 16 pies
- h:  $\varnothing 3/8$ ; 16 pies

La longitud total de los tubos de alta presión y de los tubos de líquido en cada caso es la siguiente:

Longitud total de  $\varnothing 1\text{-}1/8$ : 131 (A)

Longitud total de  $\varnothing 3/4$ :  $9 (A_1) + 3 (A_2) = 12$

Longitud total de  $\varnothing 3/8$ :  $32 (B) + 16 (C) + 16 (D) + 16 (E) + 16 (F) + 16 (G) + 16 (H) + 16 (I) + 32 (a) + 16 (b) + 16 (f) + 16 (g) + 16 (h) = 240$

Longitud total de  $\varnothing 1/4$ :  $16 (c) + 32 (d) + 16 (e) = 64$

Por tanto, cuando la longitud de los tubos desde la unidad exterior a la unidad interior más lejana sea superior a 30,5 m (100 pies),

Cantidad de carga adicional =  $(131 \times 3,54) + (12 \times 1,51) + (240 \times 0,59) + (64 \times 0,23) + 106 + (15 \times 4) + 177$

= 981,2 onzas (las fracciones se redondean al alza).

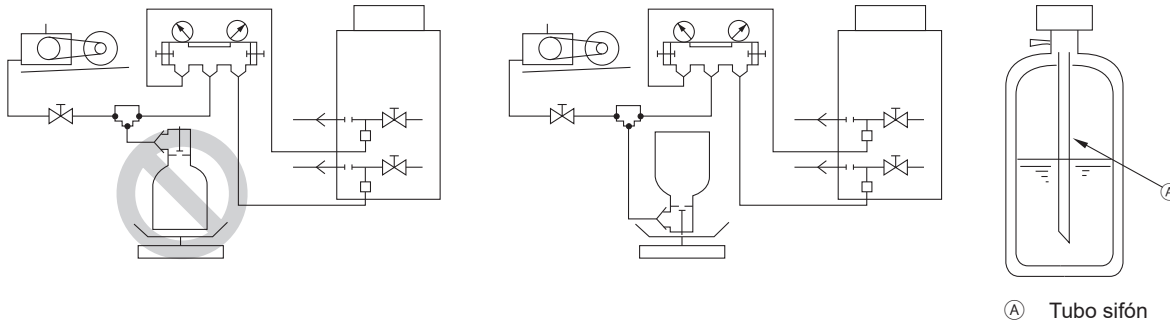
## 9-9-2. Carga de refrigerante adicional

Cargue la cantidad calculada de refrigerante en estado líquido a través del puerto de servicio después de completar el trabajo de conexión de los tubos. Una vez completado todo el trabajo, apriete firmemente todas las tapas de puerto de servicio y las tapas del eje para evitar fugas de refrigerante.

- No permita que el refrigerante salga a la atmósfera.
- Consulte en la tabla siguiente el par de apriete adecuado.

Tamaño de tubo [mm (pulg.)]	Tapa de eje (N·m)	Tapa de puerto de servicio (N·m)
$\varnothing 9,52 (\varnothing 3/8)$	25	14
$\varnothing 12,7 (\varnothing 1/2)$	30	
$\varnothing 15,88 (\varnothing 5/8)$	35	
$\varnothing 19,05 (\varnothing 3/4)$	25	
$\varnothing 25,4 (\varnothing 1)$	25	18
$\varnothing 28,58 (\varnothing 1\text{-}1/8)$	24,5	

- Si el depósito de refrigerante no está equipado con un tubo sifón, cargue el refrigerante líquido con el depósito bocabajo como muestra la siguiente figura.



(A) Tubo sifón

- Después del vaciado y la carga con refrigerante, asegúrese de que las válvulas de servicio estén totalmente abiertas. No ponga en marcha la unidad con las válvulas de servicio cerradas.

# 10. Trabajos eléctricos

## ⚠ ADVERTENCIA

Los trabajos eléctricos deben ser realizados por personal cualificado de acuerdo con las normativas locales y las instrucciones detalladas en este manual. Utilice exclusivamente los cables especificados y circuitos dedicados.

- La capacidad inadecuada de la fuente de alimentación o el trabajo eléctrico inapropiado provocarán descargas eléctricas, averías o incendios.

**El personal cualificado debe proporcionar una conexión a tierra adecuada.**

- Una mala conexión a tierra puede provocar descargas eléctricas, incendios, explosiones o averías como consecuencia del ruido eléctrico. No conecte el cable de tierra a tubos de gas o agua, pararrayos o cables por tierra de líneas telefónicas.

## 10-1. Antes de comenzar los trabajos eléctricos

- Antes de realizar trabajos eléctricos, consulte los manuales de la unidad interior o del controlador.
- Tenga en cuenta las condiciones ambientales (temperatura ambiente, luz solar directa, lluvia, etc.) cuando realice el tendido de cables y las conexiones.
- Al abrir o cerrar el panel frontal de la caja de control, no permita que entre en contacto con ninguno de los componentes internos.
- Los requisitos específicos sobre el cableado deben adaptarse a las normativas del país o región.
- Dé un cierto margen al cableado para la caja de control en las unidades interior y exterior, ya que a veces estas cajas se extraen para realizar trabajos de mantenimiento.

## 10-2. Cables de alimentación y capacidad del dispositivo

## ⚠ ADVERTENCIA

**Permita que los cables de alimentación tengan cierta holgura.**

- De lo contrario, podrían romperse o sobrecalentarse y provocar la aparición de humo o incendios.

**Instale un disyuntor para circuito inversor en la fuente de alimentación de cada unidad.**

- Si no lo hace, podrían producirse descargas eléctricas o incendios.

**Utilice únicamente disyuntores con los valores nominales apropiados (disyuntor de fuga a tierra, interruptor local <interruptor + fusible que cumpla los códigos eléctricos locales> o disyuntor de sobrecorriente).**

- Si no lo hace, podrían producirse descargas eléctricas, averías, humo o incendios.

**Utilice únicamente cables de alimentación estándar de la capacidad suficiente.**

- Si no lo hace, podrían producirse fugas de corriente, sobrecalentamiento, humo o incendios.

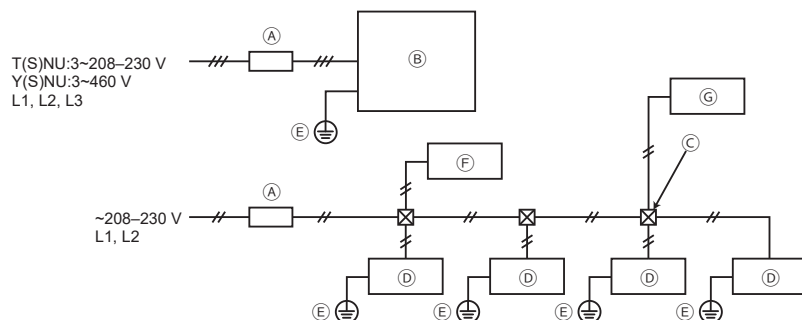
**Apriete los tornillos de todos los terminales al valor dinamométrico especificado.**

- Los tornillos flojos y los fallos de contacto pueden provocar humo o incendios.

## PRECAUCIÓN

**En caso de gran flujo de corriente eléctrica debido a anomalía o cableado defectuoso, pueden funcionar los disyuntores de fugas a tierra en el lado de la unidad y en el lado ascendente del sistema de alimentación. Según la importancia del sistema, separe el sistema de alimentación o adopte medidas para asegurar la coordinación de los disyuntores.**

- Ejemplo de cableado



- Ⓐ Disyuntor de fuga a tierra
- Ⓑ Unidad exterior
- Ⓒ Caja de derivación
- Ⓓ Unidad interior
- Ⓔ Tierra
- Ⓕ Controlador BC estándar o principal
- Ⓖ Controlador sub BC

- Asegúrese de utilizar un disyuntor de sobrecarga adecuado. No olvide que el sobreamperaje generado puede contener pequeñas cantidades de corriente directa.
- Seleccione el tipo de disyuntor para circuito de inversor como disyuntor de fuga a tierra. (Serie NV-C de Mitsubishi Electric o equivalente)
- El disyuntor de fuga a tierra debe utilizarse en combinación con un interruptor local.
- Asegure la correcta secuencia de fases. (L1, L2, y L3)



- Si el cable de alimentación está dañado, para evitar riesgos, la sustitución del mismo debe confiarse al fabricante, su agente de reparaciones o personas igualmente cualificadas.
- Utilice fuentes de alimentación exclusivas para la unidad exterior y la unidad interior. Asegúrese de cablear la OC y la OS de forma individual.
- Tamaño del cable de alimentación, capacidad del dispositivo e impedancia del sistema  
(Si las normativas locales no especifican el tamaño de cable de alimentación y la capacidad del dispositivo mínimos, consulte los valores de la siguiente tabla).
- Tamaño del cable de alimentación, capacidad del dispositivo e impedancia del sistema  
Se utiliza MOP para seleccionar el fusible, el interruptor o el disyuntor para la fuga de corriente.

(1) Modelos TNU (208 V)

Modelo de unidad exterior	Combinación de unidades	Tamaño mínimo [mm <sup>2</sup> (AWG)]		Disyuntor de fuga a tierra	MCA (A)	MOP (A)
		Cable de alimentación	Cable de tierra			
PURY-P72TNU-A(-BS)	–	5,3 (10)	5,3 (10)	30 A 30 mA o 100 mA 0,1 s. o menos	24	40
PURY-P96TNU-A(-BS)	–	8,4 (8)	8,4 (8)	40 A 100 mA 0,1 s. o menos	33	50
PURY-P120TNU-A(-BS)	–	13,3 (6)	13,3 (6)	50 A 100 mA 0,1 s. o menos	43	70
PURY-P144TNU-A(-BS)	–	21,2 (4)	21,2 (4)	60 A 100 mA 0,1 s. o menos	52	80
PURY-P168TNU-A(-BS)	–	21,2 (4)	21,2 (4)	70 A 100 mA 0,1 s. o menos	61	100
PURY-P192TSNU-A(-BS)	PURY-P96TNU-A(-BS)	8,4 (8)	8,4 (8)	40 A 100 mA 0,1 s. o menos	33	50
	PURY-P96TNU-A(-BS)	8,4 (8)	8,4 (8)	40 A 100 mA 0,1 s. o menos	33	50
PURY-P216TSNU-A(-BS)	PURY-P120TNU-A(-BS)	13,3 (6)	13,3 (6)	50 A 100 mA 0,1 s. o menos	43	70
	PURY-P96TNU-A(-BS)	8,4 (8)	8,4 (8)	40 A 100 mA 0,1 s. o menos	33	50
PURY-P240TSNU-A(-BS)	PURY-P120TNU-A(-BS)	13,3 (6)	13,3 (6)	50 A 100 mA 0,1 s. o menos	43	70
	PURY-P120TNU-A(-BS)	13,3 (6)	13,3 (6)	50 A 100 mA 0,1 s. o menos	43	70
PURY-P264TSNU-A(-BS)	PURY-P144TNU-A(-BS)	21,2 (4)	21,2 (4)	60 A 100 mA 0,1 s. o menos	52	80
	PURY-P120TNU-A(-BS)	13,3 (6)	13,3 (6)	50 A 100 mA 0,1 s. o menos	43	70
PURY-P288TSNU-A(-BS)	PURY-P144TNU-A(-BS)	21,2 (4)	21,2 (4)	60 A 100 mA 0,1 s. o menos	52	80
	PURY-P144TNU-A(-BS)	21,2 (4)	21,2 (4)	60 A 100 mA 0,1 s. o menos	52	80
PURY-P312TSNU-A(-BS)	PURY-P168TNU-A(-BS)	21,2 (4)	21,2 (4)	70 A 100 mA 0,1 s. o menos	61	100
	PURY-P144TNU-A(-BS)	21,2 (4)	21,2 (4)	60 A 100 mA 0,1 s. o menos	52	80
PURY-P336TSNU-A(-BS)	PURY-P168TNU-A(-BS)	21,2 (4)	21,2 (4)	70 A 100 mA 0,1 s. o menos	61	100
	PURY-P168TNU-A(-BS)	21,2 (4)	21,2 (4)	70 A 100 mA 0,1 s. o menos	61	100
PURY-EP72TNU-A(-BS)	–	8,4 (8)	8,4 (8)	35 A 30 mA o 100 mA 0,1 s. o menos	23	35
PURY-EP96TNU-A(-BS)	–	13,3 (6)	13,3 (6)	45 A 100 mA 0,1 s. o menos	31	45
PURY-EP120TNU-A(-BS)	–	21,2 (4)	21,4 (4)	60 A 100 mA 0,1 s. o menos	41	60
PURY-EP144TNU-A(-BS)	–	21,2 (4)	21,2 (4)	60 A 100 mA 0,1 s. o menos	49	80
PURY-EP168TNU-A(-BS)	–	21,2 (4)	21,2 (4)	70 A 100 mA 0,1 s. o menos	57	90
PURY-EP192TNU-A(-BS)	–	33,6 (2)	33,6 (2)	80 A 100 mA 0,1 s. o menos	66	110
PURY-EP192TSNU-A(-BS)	PURY-EP96TNU-A(-BS)	13,3 (6)	13,3 (6)	45 A 100 mA 0,1 s. o menos	31	45
	PURY-EP96TNU-A(-BS)	13,3 (6)	13,3 (6)	45 A 100 mA 0,1 s. o menos	31	45
PURY-EP216TNU-A(-BS)	–	33,6 (2)	33,6 (2)	100 A 100 mA 0,1 s. o menos	73	125
PURY-EP216TSNU-A(-BS)	PURY-EP120TNU-A(-BS)	21,2 (4)	21,4 (4)	60 A 100 mA 0,1 s. o menos	41	60
	PURY-EP96TNU-A(-BS)	13,3 (6)	13,3 (6)	45 A 100 mA 0,1 s. o menos	31	45
PURY-EP240TNU-A(-BS)	–	33,6 (2)	33,6 (2)	100 A 100 mA 0,1 s. o menos	82	125
PURY-EP240TSNU-A(-BS)	PURY-EP120TNU-A(-BS)	21,2 (4)	21,2 (4)	60 A 100 mA 0,1 s. o menos	41	60
	PURY-EP120TNU-A(-BS)	21,2 (4)	21,2 (4)	60 A 100 mA 0,1 s. o menos	41	60
PURY-EP264TSNU-A(-BS)	PURY-EP144TNU-A(-BS)	21,2 (4)	21,2 (4)	60 A 100 mA 0,1 s. o menos	49	80
	PURY-EP120TNU-A(-BS)	21,2 (4)	21,2 (4)	60 A 100 mA 0,1 s. o menos	41	60
PURY-EP288TSNU-A(-BS)	PURY-EP144TNU-A(-BS)	21,2 (4)	21,2 (4)	60 A 100 mA 0,1 s. o menos	49	80
	PURY-EP144TNU-A(-BS)	21,2 (4)	21,2 (4)	60 A 100 mA 0,1 s. o menos	49	80
PURY-EP312TSNU-A(-BS)	PURY-EP168TNU-A(-BS)	21,2 (4)	21,2 (4)	70 A 100 mA 0,1 s. o menos	57	90
	PURY-EP144TNU-A(-BS)	21,2 (4)	21,2 (4)	60 A 100 mA 0,1 s. o menos	49	80
PURY-EP336TSNU-A(-BS)	PURY-EP168TNU-A(-BS)	21,2 (4)	21,2 (4)	70 A 100 mA 0,1 s. o menos	57	90
	PURY-EP168TNU-A(-BS)	21,2 (4)	21,2 (4)	70 A 100 mA 0,1 s. o menos	57	90
PURY-EP384TSNU-A(-BS)	PURY-EP192TNU-A(-BS)	33,6 (2)	33,6 (2)	80 A 100 mA 0,1 s. o menos	66	110
	PURY-EP192TNU-A(-BS)	33,6 (2)	33,6 (2)	80 A 100 mA 0,1 s. o menos	66	110
PURY-EP432TSNU-A(-BS)	PURY-EP216TNU-A(-BS)	33,6 (2)	33,6 (2)	100 A 100 mA 0,1 s. o menos	73	125
	PURY-EP216TNU-A(-BS)	33,6 (2)	33,6 (2)	100 A 100 mA 0,1 s. o menos	73	125

(2) Modelos TNU (230 V)

Modelo de unidad exterior	Combinación de unidades	Tamaño mínimo [mm <sup>2</sup> (AWG)]		Disyuntor de fuga a tierra	MCA (A)	MOP (A)
		Cable de alimentación	Cable de tierra			
PURY-P72TNU-A(-BS)	–	5,3 (10)	5,3 (10)	30 A 30 mA o 100 mA 0,1 s. o menos	22	35
PURY-P96TNU-A(-BS)	–	8,4 (8)	8,4 (8)	40 A 100 mA 0,1 s. o menos	30	45
PURY-P120TNU-A(-BS)	–	13,3 (6)	13,3 (6)	50 A 100 mA 0,1 s. o menos	40	60
PURY-P144TNU-A(-BS)	–	21,2 (4)	21,2 (4)	60 A 100 mA 0,1 s. o menos	48	70
PURY-P168TNU-A(-BS)	–	21,2 (4)	21,2 (4)	70 A 100 mA 0,1 s. o menos	57	90
PURY-P192TSNU-A(-BS)	PURY-P96TNU-A(-BS)	8,4 (8)	8,4 (8)	40 A 100 mA 0,1 s. o menos	30	45
	PURY-P96TNU-A(-BS)	8,4 (8)	8,4 (8)	40 A 100 mA 0,1 s. o menos	30	45
PURY-P216TSNU-A(-BS)	PURY-P120TNU-A(-BS)	13,3 (6)	13,3 (6)	50 A 100 mA 0,1 s. o menos	40	60
	PURY-P96TNU-A(-BS)	8,4 (8)	8,4 (8)	40 A 100 mA 0,1 s. o menos	30	45
PURY-P240TSNU-A(-BS)	PURY-P120TNU-A(-BS)	13,3 (6)	13,3 (6)	50 A 100 mA 0,1 s. o menos	40	60
	PURY-P120TNU-A(-BS)	13,3 (6)	13,3 (6)	50 A 100 mA 0,1 s. o menos	40	60
PURY-P264TSNU-A(-BS)	PURY-P144TNU-A(-BS)	21,2 (4)	21,2 (4)	60 A 100 mA 0,1 s. o menos	48	70
	PURY-P120TNU-A(-BS)	13,3 (6)	13,3 (6)	50 A 100 mA 0,1 s. o menos	40	60
PURY-P288TSNU-A(-BS)	PURY-P144TNU-A(-BS)	21,2 (4)	21,2 (4)	60 A 100 mA 0,1 s. o menos	48	70
	PURY-P144TNU-A(-BS)	21,2 (4)	21,2 (4)	60 A 100 mA 0,1 s. o menos	48	70
PURY-P312TSNU-A(-BS)	PURY-P168TNU-A(-BS)	21,2 (4)	21,2 (4)	70 A 100 mA 0,1 s. o menos	57	90
	PURY-P144TNU-A(-BS)	21,2 (4)	21,2 (4)	60 A 100 mA 0,1 s. o menos	48	70
PURY-P336TSNU-A(-BS)	PURY-P168TNU-A(-BS)	21,2 (4)	21,2 (4)	70 A 100 mA 0,1 s. o menos	57	90
	PURY-P168TNU-A(-BS)	21,2 (4)	21,2 (4)	70 A 100 mA 0,1 s. o menos	57	90
PURY-EP72TNU-A(-BS)	–	5,3 (10)	5,3 (10)	30 A 30 mA o 100 mA 0,1 s. o menos	21	30
PURY-EP96TNU-A(-BS)	–	13,3 (6)	13,3 (6)	45 A 100 mA 0,1 s. o menos	29	45
PURY-EP120TNU-A(-BS)	–	21,2 (4)	21,2 (4)	60 A 100 mA 0,1 s. o menos	38	60
PURY-EP144TNU-A(-BS)	–	21,2 (4)	21,2 (4)	60 A 100 mA 0,1 s. o menos	45	70
PURY-EP168TNU-A(-BS)	–	21,2 (4)	21,2 (4)	70 A 100 mA 0,1 s. o menos	53	80
PURY-EP192TNU-A(-BS)	–	33,6 (2)	33,6 (2)	80 A 100 mA 0,1 s. o menos	60	100
PURY-EP192TSNU-A(-BS)	PURY-EP96TNU-A(-BS)	13,3 (6)	13,3 (6)	45 A 100 mA 0,1 s. o menos	29	45
	PURY-EP96TNU-A(-BS)	13,3 (6)	13,3 (6)	45 A 100 mA 0,1 s. o menos	29	45
PURY-EP216TNU-A(-BS)	–	33,6 (2)	33,6 (2)	90 A 100 mA 0,1 s. o menos	67	110
PURY-EP216TSNU-A(-BS)	PURY-EP120TNU-A(-BS)	21,2 (4)	21,2 (4)	60 A 100 mA 0,1 s. o menos	38	60
	PURY-EP96TNU-A(-BS)	13,3 (6)	13,3 (6)	45 A 100 mA 0,1 s. o menos	29	45
PURY-EP240TNU-A(-BS)	–	33,6 (2)	33,6 (2)	90 A 100 mA 0,1 s. o menos	75	125
PURY-EP240TSNU-A(-BS)	PURY-EP120TNU-A(-BS)	21,2 (4)	21,2 (4)	60 A 100 mA 0,1 s. o menos	38	60
	PURY-EP120TNU-A(-BS)	21,2 (4)	21,2 (4)	60 A 100 mA 0,1 s. o menos	38	60
PURY-EP264TSNU-A(-BS)	PURY-EP144TNU-A(-BS)	21,2 (4)	21,2 (4)	60 A 100 mA 0,1 s. o menos	45	70
	PURY-EP120TNU-A(-BS)	21,2 (4)	21,2 (4)	60 A 100 mA 0,1 s. o menos	38	60
PURY-EP288TSNU-A(-BS)	PURY-EP144TNU-A(-BS)	21,2 (4)	21,2 (4)	60 A 100 mA 0,1 s. o menos	45	70
	PURY-EP144TNU-A(-BS)	21,2 (4)	21,2 (4)	60 A 100 mA 0,1 s. o menos	45	70
PURY-EP312TSNU-A(-BS)	PURY-EP168TNU-A(-BS)	21,2 (4)	21,2 (4)	70 A 100 mA 0,1 s. o menos	53	80
	PURY-EP144TNU-A(-BS)	21,2 (4)	21,2 (4)	60 A 100 mA 0,1 s. o menos	45	70
PURY-EP336TSNU-A(-BS)	PURY-EP168TNU-A(-BS)	21,2 (4)	21,2 (4)	70 A 100 mA 0,1 s. o menos	53	80
	PURY-EP168TNU-A(-BS)	21,2 (4)	21,2 (4)	70 A 100 mA 0,1 s. o menos	53	80
PURY-EP384TSNU-A(-BS)	PURY-EP192TNU-A(-BS)	33,6 (2)	33,6 (2)	80 A 100 mA 0,1 s. o menos	60	100
	PURY-EP192TNU-A(-BS)	33,6 (2)	33,6 (2)	80 A 100 mA 0,1 s. o menos	60	100
PURY-EP432TSNU-A(-BS)	PURY-EP216TNU-A(-BS)	33,6 (2)	33,6 (2)	90 A 100 mA 0,1 s. o menos	67	110
	PURY-EP216TNU-A(-BS)	33,6 (2)	33,6 (2)	90 A 100 mA 0,1 s. o menos	67	110

### (3) Modelos YNU

Modelo de unidad exterior	Combinación de unidades	Tamaño mínimo [mm <sup>2</sup> (AWG)]		Disyuntor de fuga a tierra	MCA (A) (460 V)	MOP (A) (460 V)
		Cable de alimentación	Cable de tierra			
PURY-P72YNU-A(-BS)	–	2,1 (14)	2,1 (14)	15 A 30 mA o 100 mA 0,1 s. o menos	11	15
PURY-P96YNU-A(-BS)	–	3,3 (12)	3,3 (12)	20 A 30 mA o 100 mA 0,1 s. o menos	15	20
PURY-P120YNU-A(-BS)	–	5,3 (10)	5,3 (10)	25 A 30 mA o 100 mA 0,1 s. o menos	18	25
PURY-P144YNU-A(-BS)	–	5,3 (10)	5,3 (10)	30 A 30 mA o 100 mA 0,1 s. o menos	20	30
PURY-P168YNU-A(-BS)	–	8,4 (8)	8,4 (8)	40 A 100 mA 0,1 s. o menos	28	40
PURY-P192YSNU-A(-BS)	PURY-P96YNU-A(-BS)	3,3 (12)	3,3 (12)	20 A 30 mA o 100 mA 0,1 s. o menos	15	20
	PURY-P96YNU-A(-BS)	3,3 (12)	3,3 (12)	20 A 30 mA o 100 mA 0,1 s. o menos	15	20
PURY-P216YSNU-A(-BS)	PURY-P120YNU-A(-BS)	5,3 (10)	5,3 (10)	25 A 30 mA o 100 mA 0,1 s. o menos	18	25
	PURY-P96YNU-A(-BS)	3,3 (12)	3,3 (12)	20 A 30 mA o 100 mA 0,1 s. o menos	15	20
PURY-P240YSNU-A(-BS)	PURY-P120YNU-A(-BS)	5,3 (10)	5,3 (10)	25 A 30 mA o 100 mA 0,1 s. o menos	18	25
	PURY-P120YNU-A(-BS)	5,3 (10)	5,3 (10)	25 A 30 mA o 100 mA 0,1 s. o menos	18	25
PURY-P264YSNU-A(-BS)	PURY-P144YNU-A(-BS)	5,3 (10)	5,3 (10)	30 A 30 mA o 100 mA 0,1 s. o menos	20	30
	PURY-P120YNU-A(-BS)	5,3 (10)	5,3 (10)	25 A 30 mA o 100 mA 0,1 s. o menos	18	25
PURY-P288YSNU-A(-BS)	PURY-P144YNU-A(-BS)	5,3 (10)	5,3 (10)	30 A 30 mA o 100 mA 0,1 s. o menos	20	30
	PURY-P144YNU-A(-BS)	5,3 (10)	5,3 (10)	30 A 30 mA o 100 mA 0,1 s. o menos	20	30
PURY-P312YSNU-A(-BS)	PURY-P168YNU-A(-BS)	8,4 (8)	8,4 (8)	40 A 100 mA 0,1 s. o menos	28	40
	PURY-P144YNU-A(-BS)	5,3 (10)	5,3 (10)	30 A 30 mA o 100 mA 0,1 s. o menos	20	30
PURY-P336YSNU-A(-BS)	PURY-P168YNU-A(-BS)	8,4 (8)	8,4 (8)	40 A 100 mA 0,1 s. o menos	28	40
	PURY-P168YNU-A(-BS)	8,4 (8)	8,4 (8)	40 A 100 mA 0,1 s. o menos	28	40
PURY-EP72YNU-A(-BS)	–	2,1 (14)	2,1 (14)	15 A 30 mA o 100 mA 0,1 s. o menos	10	15
PURY-EP96YNU-A(-BS)	–	3,3 (12)	3,3 (12)	20 A 30 mA o 100 mA 0,1 s. o menos	14	20
PURY-EP120YNU-A(-BS)	–	5,3 (10)	5,3 (10)	30 A 30 mA o 100 mA 0,1 s. o menos	19	30
PURY-EP144YNU-A(-BS)	–	8,4 (8)	8,4 (8)	35 A 30 mA o 100 mA 0,1 s. o menos	22	35
PURY-EP168YNU-A(-BS)	–	8,4 (8)	8,4 (8)	40 A 100 mA 0,1 s. o menos	26	40
PURY-EP192YNU-A(-BS)	–	8,4 (8)	8,4 (8)	40 A 100 mA 0,1 s. o menos	30	50
PURY-EP192YSNU-A(-BS)	PURY-EP96YNU-A(-BS)	3,3 (12)	3,3 (12)	20 A 30 mA o 100 mA 0,1 s. o menos	14	20
	PURY-EP96YNU-A(-BS)	3,3 (12)	3,3 (12)	20 A 30 mA o 100 mA 0,1 s. o menos	14	20
PURY-EP216YNU-A(-BS)	–	13,3 (6)	13,3 (6)	50 A 100 mA 0,1 s. o menos	33	50
PURY-EP216YSNU-A(-BS)	PURY-EP120YNU-A(-BS)	5,3 (10)	5,3 (10)	30 A 30 mA o 100 mA 0,1 s. o menos	19	30
	PURY-EP96YNU-A(-BS)	3,3 (12)	3,3 (12)	20 A 30 mA o 100 mA 0,1 s. o menos	14	20
PURY-EP240YNU-A(-BS)	–	13,3 (6)	13,3 (6)	50 A 100 mA 0,1 s. o menos	37	60
PURY-EP240YSNU-A(-BS)	PURY-EP120YNU-A(-BS)	5,3 (10)	5,3 (10)	30 A 30 mA o 100 mA 0,1 s. o menos	19	30
	PURY-EP120YNU-A(-BS)	5,3 (10)	5,3 (10)	30 A 30 mA o 100 mA 0,1 s. o menos	19	30
PURY-EP264YSNU-A(-BS)	PURY-EP144YNU-A(-BS)	8,4 (8)	8,4 (8)	35 A 30 mA o 100 mA 0,1 s. o menos	22	35
	PURY-EP120YNU-A(-BS)	5,3 (10)	5,3 (10)	30 A 30 mA o 100 mA 0,1 s. o menos	19	30
PURY-EP288YSNU-A(-BS)	PURY-EP144YNU-A(-BS)	8,4 (8)	8,4 (8)	35 A 30 mA o 100 mA 0,1 s. o menos	22	35
	PURY-EP144YNU-A(-BS)	8,4 (8)	8,4 (8)	35 A 30 mA o 100 mA 0,1 s. o menos	22	35
PURY-EP312YSNU-A(-BS)	PURY-EP168YNU-A(-BS)	8,4 (8)	8,4 (8)	40 A 100 mA 0,1 s. o menos	26	40
	PURY-EP144YNU-A(-BS)	8,4 (8)	8,4 (8)	35 A 30 mA o 100 mA 0,1 s. o menos	22	35
PURY-EP336YSNU-A(-BS)	PURY-EP168YNU-A(-BS)	8,4 (8)	8,4 (8)	40 A 100 mA 0,1 s. o menos	26	40
	PURY-EP168YNU-A(-BS)	8,4 (8)	8,4 (8)	40 A 100 mA 0,1 s. o menos	26	40
PURY-EP384YSNU-A(-BS)	PURY-EP192YNU-A(-BS)	8,4 (8)	8,4 (8)	40 A 100 mA 0,1 s. o menos	30	50
	PURY-EP192YNU-A(-BS)	8,4 (8)	8,4 (8)	40 A 100 mA 0,1 s. o menos	30	50
PURY-EP432YSNU-A(-BS)	PURY-EP216YNU-A(-BS)	13,3 (6)	13,3 (6)	50 A 100 mA 0,1 s. o menos	33	50
	PURY-EP216YNU-A(-BS)	13,3 (6)	13,3 (6)	50 A 100 mA 0,1 s. o menos	33	50

- El tamaño del cable corresponde al valor mínimo para cables de tubos metálicos. Si la tensión cae, utilice un cable con un diámetro de mayor tamaño. Asegúrese que la tensión de la alimentación principal no baje más del 10%. Asegúrese de que el desajuste de voltaje entre las fases sea del 2% o menos.
- Los cables de alimentación eléctrica de los componentes de aparatos destinados al uso en la intemperie no deben ser más ligeros que el cable flexible con revestimiento de policloropreno (diseño 245 IEC57). Por ejemplo, utilice cables del tipo YZW.

## 10-3. Especificaciones del cable de control

### • Cable de transmisión

Tipo	Cable blindado de dos núcleos CVVS, CPEVS o MVVS
Tamaño	1,25 mm <sup>2</sup> (AWG 16)
Longitud	Máx. 200 m (656 pies)
Observaciones	La longitud máxima permitida de los cables de transmisión a través de unidades exteriores (tanto cables de transmisión de control centralizado como cables de transmisión interior-exterior) es de 500 m (1640 pies). <sup>*1</sup> La longitud máxima permitida de los cables de transmisión desde la fuente de alimentación a cada unidad exterior o al controlador del sistema es de 200 m (656 pies).

\* No utilice un cable de varios núcleos para conectar unidades interiores que pertenezcan a diferentes sistemas refrigerante. El uso de un cable de varios núcleos puede provocar errores o problemas en la transmisión de señal.

\* Garantice la continuidad del blindaje cuando amplíe el cable de transmisión.

\*1 Si prolongará la longitud de los cables de transmisión a 1000 m (3280 pies), consulte a su distribuidor.

### • Cable de controlador remoto

	Cable de controlador remoto ME	Cable de controlador remoto MA
Tipo	Cable de 2 núcleos envainado (no blindado) CVV	
Tamaño	0,3–1,25 mm <sup>2</sup> (AWG 22–16) (0,75–1,25 mm <sup>2</sup> (AWG 18–16) si se conecta un controlador remoto sencillo)	
Longitud	Máx. 10 m (32 pies) * Si la longitud es superior a 10 m (32 pies), use un cable blindado de 1,25 mm <sup>2</sup> (AWG 16).	Máx. 200 m (656 pies)

# 10-4. Configuración del sistema

- Código de unidad y número máximo de unidades conectables

Tipo de unidad		Código	Número de unidades conectables
Unidad exterior	Unidad principal	OC	–
	Unidad subordinada	OS	–
Unidad interior		IC	1 a 50 unidades por OC (dependiendo del modelo de unidad)
Controlador BC	Principal	BC	1 unidad por OC
	Subordinada	BS	0 a 11 unidades por OC
Controlador remoto		RC	0 a 2 unidades por grupo
Unidad de superalimentación		RP	0 a 2 unidades por OC

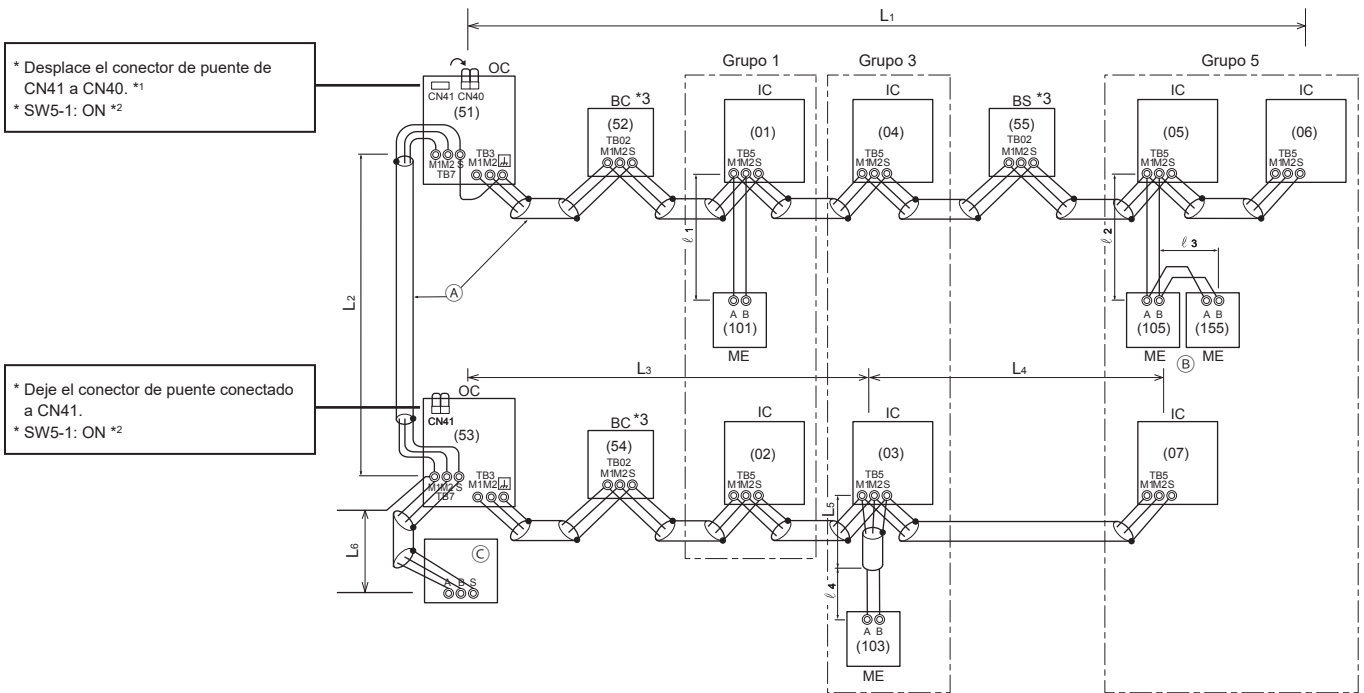
\* Una unidad de superalimentación puede ser necesaria dependiendo del número de unidades interiores conectadas. La unidad exterior no es compatible con PAC-SF46EPA, solo con PAC-SF46EPA-G.

\* Las unidades exteriores de un mismo circuito de refrigerante se designan automáticamente como OC y OS. Las unidades exteriores se designan como OC y OS en orden descendente de capacidad (si dos o más unidades tienen la misma capacidad, en orden ascendente de dirección).

## • Ejemplo de configuración del sistema

\* Los números entre paréntesis de las siguientes figuras indican los números de dirección.

### (1) Cuando se conectan controladores remotos ME



- (A) Cable blindado
- (B) Controlador remoto subordinado
- (C) Controlador del sistema

\*1 Si no existe una fuente de alimentación conectada al cable de transmisión de control centralizado, desplace el conector de puente de CN41 a CN40 en una sola de las unidades exteriores (excepto el modelo TNU). Cuando el controlador del sistema está conectado al lado TB7 y se está utilizando el modelo de unidad exterior TNU, conecte una fuente de alimentación al lado TB7. Si no se puede utilizar una fuente de alimentación, conecte el controlador del sistema al lado TB3. Se pueden conectar hasta tres controladores del sistema al lado TB3.

\*2 Si se usa un controlador del sistema, establezca el SW5-1 de todas las unidades exteriores en ON.

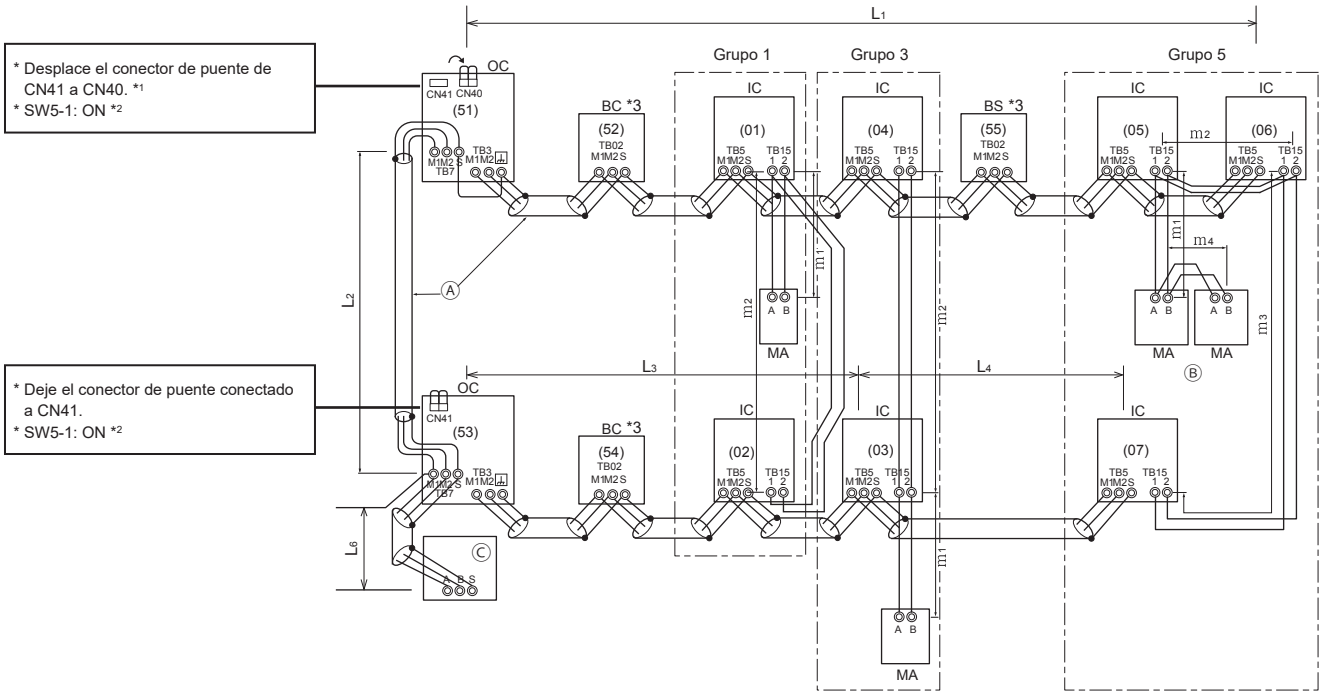
\*3 BC, BS

#### Longitud máxima permitida de los cables de control

Cables de transmisión a través de unidades exteriores	$L_1 + L_2 + L_3 + L_4$ , $L_1 + L_2 + L_3 + L_5$ , $L_1 + L_2 + L_6 \leq 500$ m (1640 pies)
Cables de transmisión	$L_1$ , $L_3 + L_4$ , $L_3 + L_5$ , $L_6$ , $L_2 + L_6 \leq 200$ m (656 pies)
Cables de controlador remoto	$l_1$ , $l_2$ , $l_3$ , $l_4 \leq 10$ m (32 pies) * Si la longitud supera los 10 m (32 pies), deberá incluir el tramo que supere los 10 m (32 pies) en la longitud máxima permitida de los cables de transmisión anteriores.

\*4 Si prolongará la longitud de los cables de transmisión a 1000 m (3280 pies), consulte a su distribuidor.

(2) Cuando se conectan controladores remotos MA



- (A) Cable blindado
- (B) Controlador remoto subordinado
- (C) Controlador del sistema

\*1 Si no existe una fuente de alimentación conectada al cable de transmisión de control centralizado, desplace el conector de puente de CN41 a CN40 en una sola de las unidades exteriores (excepto el modelo TNU). Cuando el controlador del sistema está conectado al lado TB7 y se está utilizando el modelo de unidad exterior TNU, conecte una fuente de alimentación al lado TB7. Si no se puede utilizar una fuente de alimentación, conecte el controlador del sistema al lado TB3. Se pueden conectar hasta tres controladores del sistema al lado TB3.

\*2 Si se usa un controlador del sistema, establezca el SW5-1 de todas las unidades exteriores en ON.

\*3 Cuando se conecta un PAR-31MAA a un grupo, no puede conectarse ningún otro controlador remoto MA al mismo grupo.

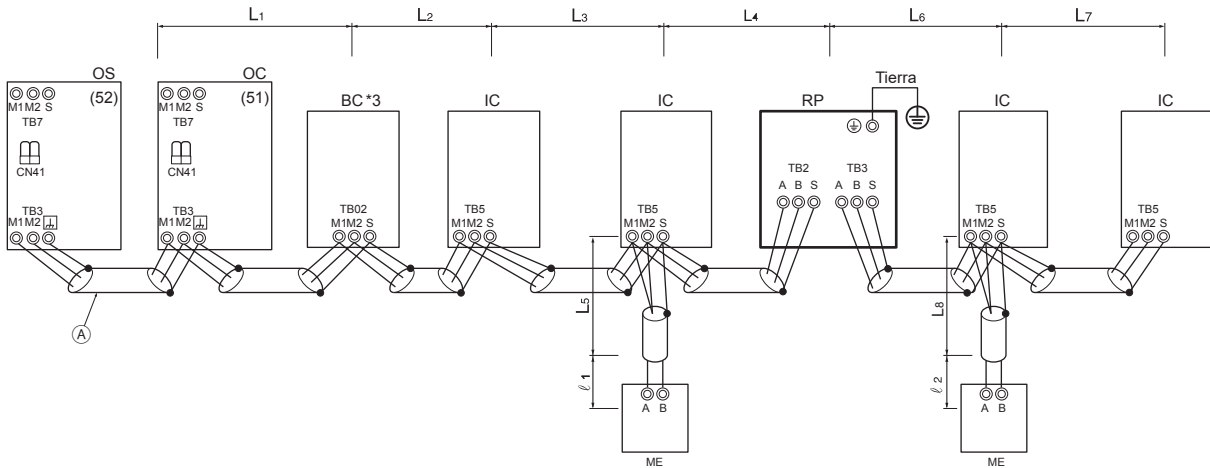
\*4 BC, BS

Longitud máxima permitida de los cables de control

Cables de transmisión a través de unidades exteriores	$L_1 + L_2 + L_3 + L_4, L_1 + L_2 + L_6 \leq 500$ m (1640 pies)
Cables de transmisión	$L_1, L_3 + L_4, L_6, L_2 + L_6 \leq 200$ m (656 pies)
Cables de controlador remoto	$m_1 + m_2, m_1 + m_2 + m_3 + m_4 \leq 200$ m (656 pies)

\*5 Si prolongará la longitud de los cables de transmisión a 1000 m (3280 pies), consulte a su distribuidor.

(3) Cuando se conecta una unidad amplificadora de transmisión



- (A) Cable blindado

\*1 Conecte en estrella los terminales (TB3) de las unidades exteriores todos juntos en el mismo sistema refrigerante.

\*2 Deje el conector de puente conectado a CN41. Para conectar un controlador del sistema a la línea de transmisión (TB7) para un control centralizado, consulte la (1), (2) o el Libro de Datos.

\*3 BC

Longitud máxima permitida de los cables de control

Cables de transmisión	$L_1 + L_2 + L_3 + L_4 + L_6 + L_7, L_1 + L_2 + L_3 + L_4 + L_6 + L_8, L_1 + L_2 + L_3 + L_5, L_7 + L_6 + L_4 + L_5, L_5 + L_4 + L_6 + L_8 \leq 200$ m (656 pies)
Cables de controlador remoto	$l_1, l_2 \leq 10$ m (32 pies) * Si la longitud supera los 10 m (32 pies), deberá incluir el tramo que supere los 10 m (32 pies) en la longitud máxima permitida de los cables de transmisión anteriores.

## 10-5. Conexiones de cables de la caja de control

### **⚠ ADVERTENCIA**

Realice las conexiones de forma segura y sin tensión en los terminales.

- Los cables mal conectados pueden romperse, sobrecalentarse o provocar humo o incendios.

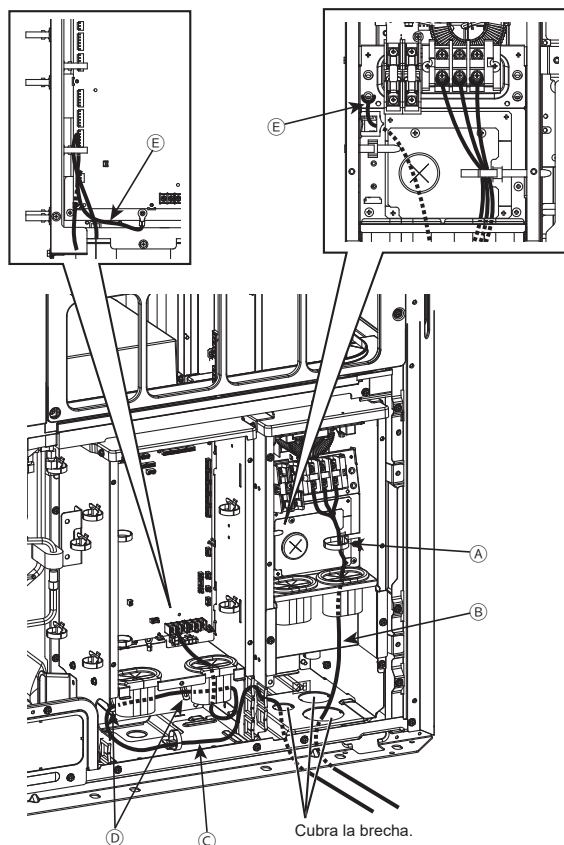
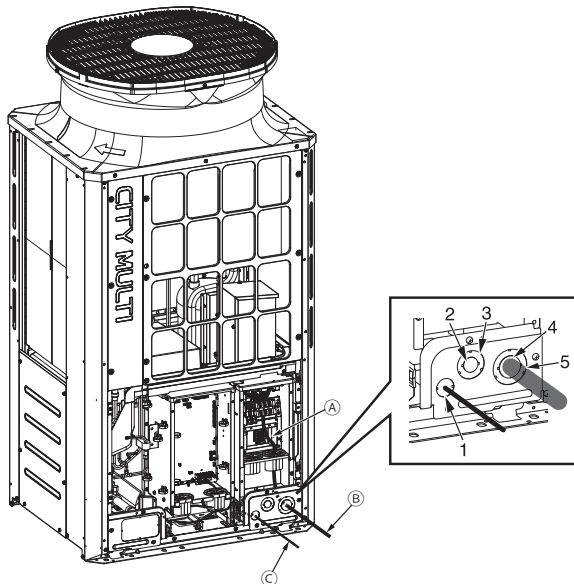
### 10-5-1. Paso del cable de alimentación a través del orificio troquelado

• Abra el panel frontal cuando realice trabajo de cableado.

• Ayúdese de un martillo para perforar los orificios troquelados de la parte inferior del panel frontal o la base. Realice el orificio troquelado oportuno para el tamaño del cable de alimentación, consultando la siguiente tabla.

(1) Cuando pase el cableado por la parte delantera de la unidad

(2) Cuando pase el cableado por la parte inferior de la unidad



Tamaño de cable de alimentación (mm <sup>2</sup> )	Orificio troquelado que debe realizar
2, 3,5, 5,5	Orificio troquelado 2
8, 14	Orificio troquelado 4
21, 26, 33	Orificio troquelado 3
53, 67, 84	Orificio troquelado 5

(A) Cinta de sujeción de cables

(B) Cable de alimentación

(C) Cable de transmisión

La longitud de la sección después del agujero de acceso del cable debe ser de al menos 1100 mm (43 pulg.).

(D) Abrazadera

(E) Cable a tierra que conecta la caja principal y la caja del inversor

<Atención>

• No quite el cable a tierra que conecta la caja principal y la caja del inversor.

• Instale el cable de transmisión como se muestra en la figura anterior de manera que el cable sea lo suficiente largo para que la caja principal se retire para el mantenimiento.

• Si observa huecos alrededor del cable de alimentación y el de transmisión, asegúrese de rellenarlos con el material adecuado para prevenir que entre la nieve, lo cual puede provocar un daño en las piezas eléctricas y para proteger sus manos del contacto directo con los cables.

• Si pasa el cable de alimentación por el orificio troquelado sin utilizar una tubería, desbarbe el orificio y proteja el cable de alimentación con cinta protectora.

• Use una tubería para estrechar la abertura si existe la posibilidad de que entren animales pequeños en la unidad.

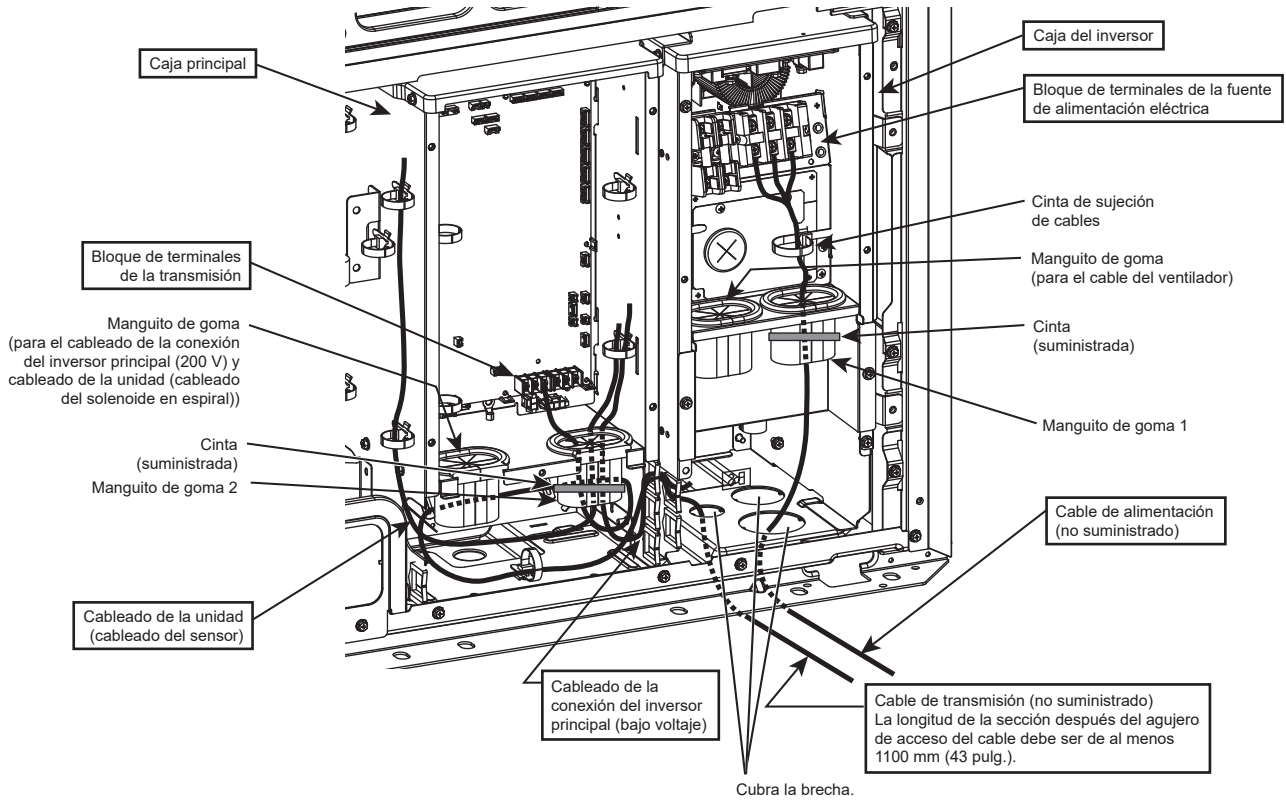
• Cuando saque la tubería de la parte inferior de la unidad, selle con masilla alrededor de la abertura del tubo para impedir la infiltración de agua.



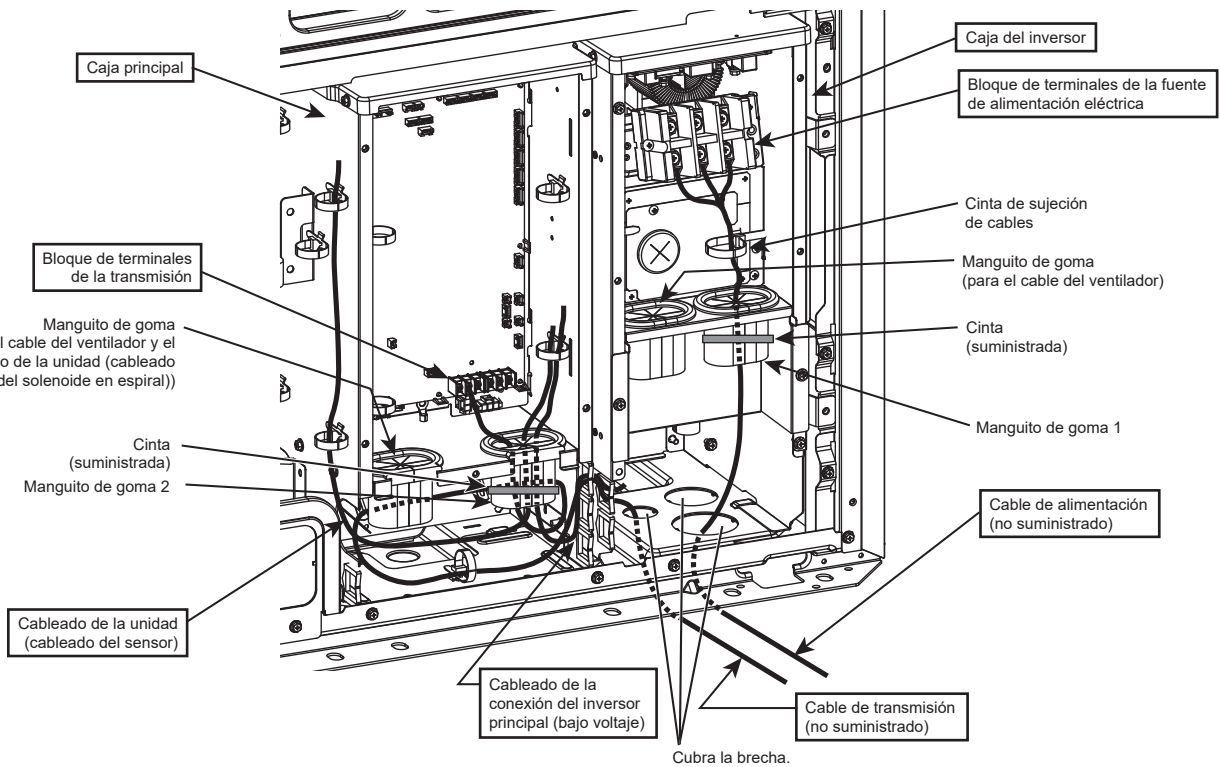
## 10-5-2. Fijación de los cables

Pase los cables como se muestra en las figuras a continuación.

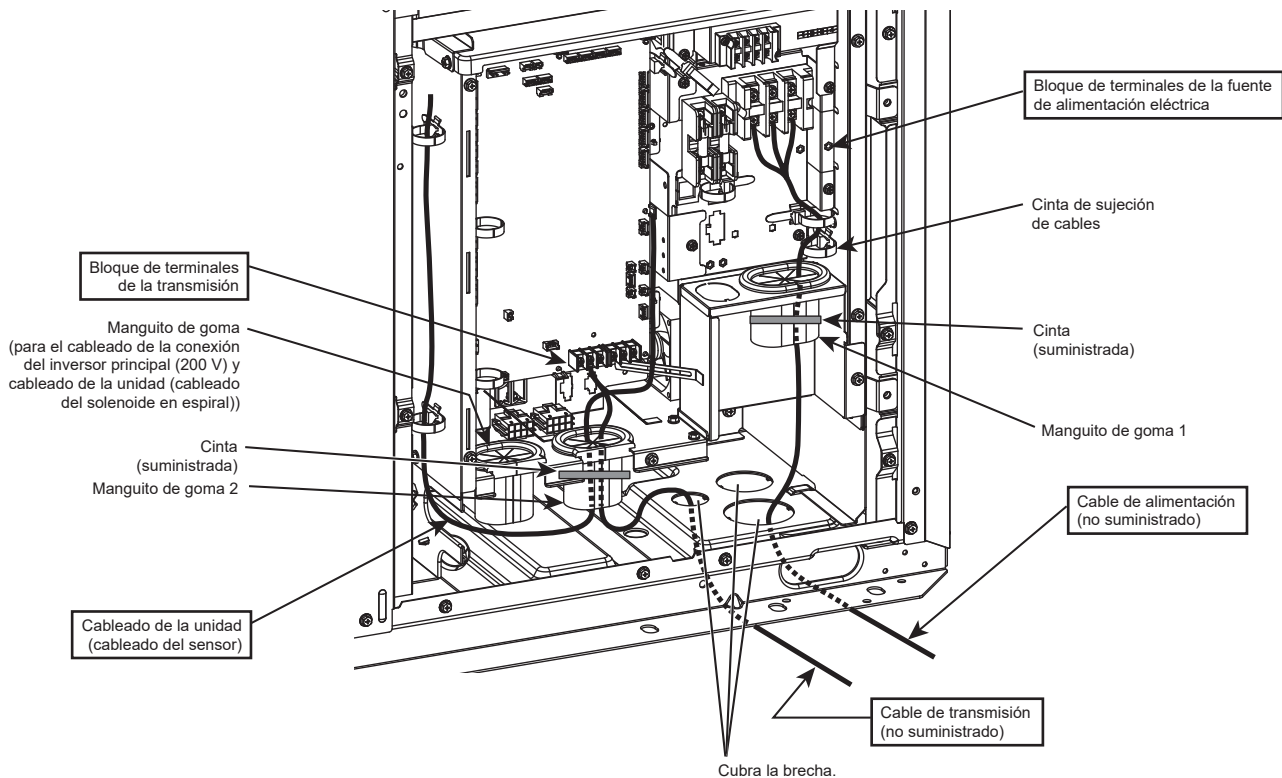
• (E)P72 YNU



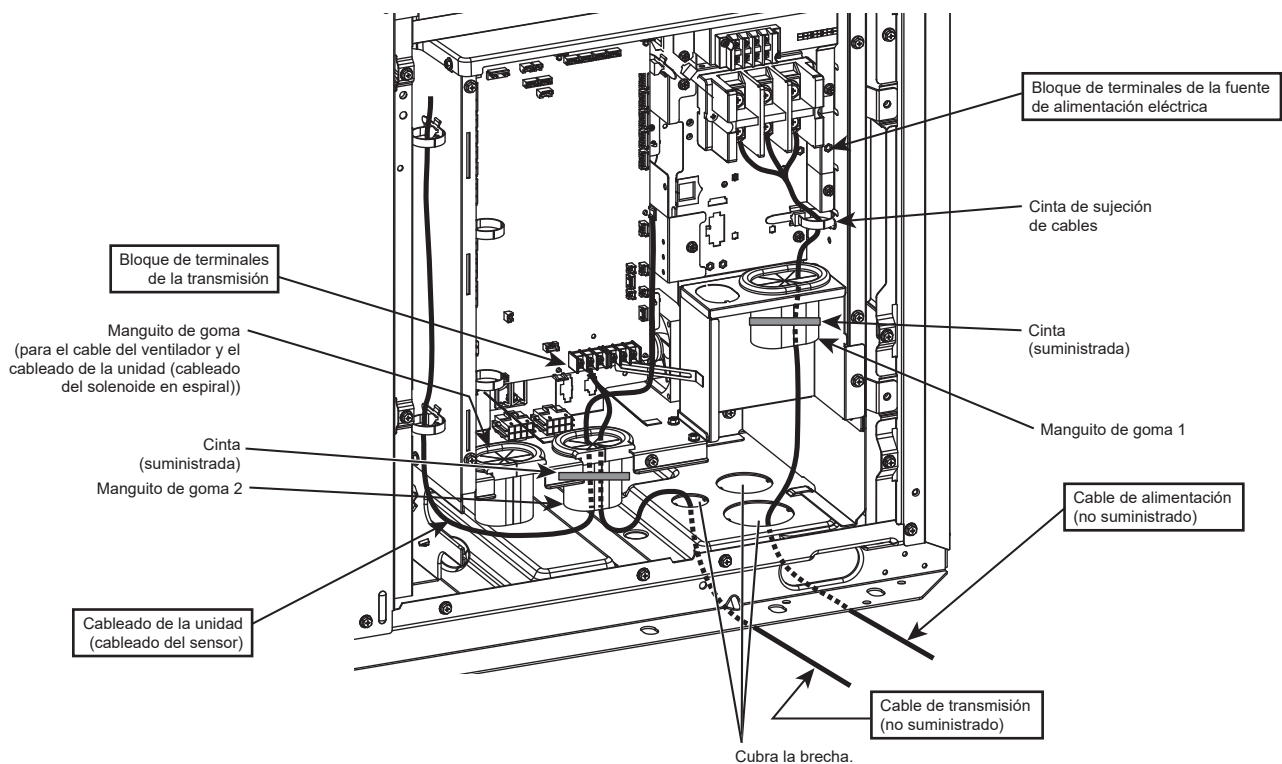
• (E)P72 TNU



• (E)P96 a 240 YNU



• (E)P96 a 240 TNU

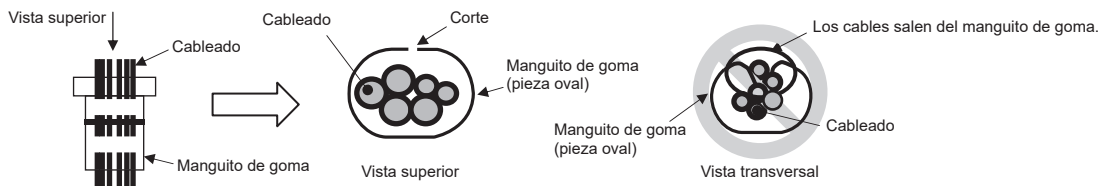




Siga el procedimiento a continuación.

- ① Pase el cable de alimentación a través del manguito de goma 1. (Consulte \*1 y \*2 a continuación).
- ② Pase el cableado de la unidad (cableado del sensor) y el cable de transmisión a través del manguito de goma 2. (Consulte \*1 y \*2 a continuación).
- ③ Con las cintas de sujeción de cables, mantenga en su sitio el cable de la fuente de alimentación y el cable de transmisión, respectivamente.
- ④ Con la cinta suministrada, asegure cada manguito de goma. (Consulte \*3 a continuación).

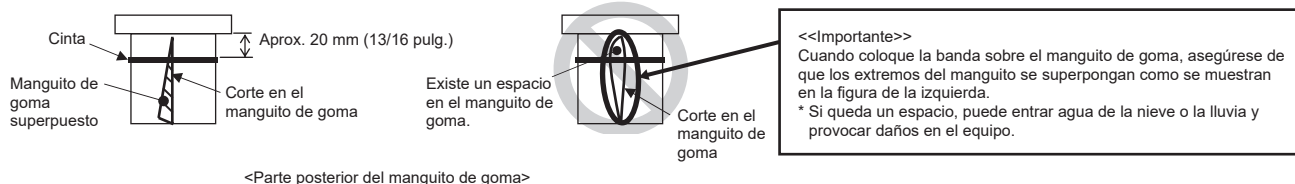
\*1 Asegúrese de que los cables no sobresalgan por la abertura del manguito de goma.



\*2 Cuando pase el cableado a través del manguito de goma, asegúrese de que el manguito no se desprenda de la lámina metálica de la caja de control.



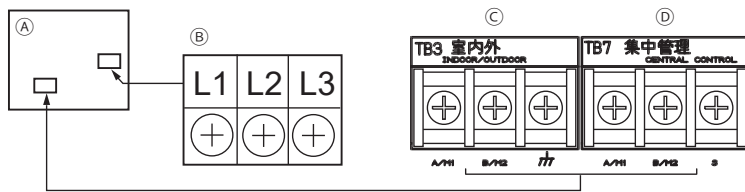
\*3 Cuando coloque la cinta suministrada alrededor del manguito de goma, asegúrese de no dejar ningún espacio entre los extremos.



<Parte posterior del manguito de goma>

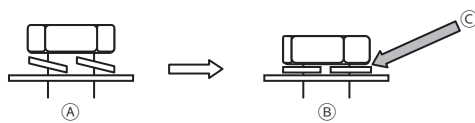
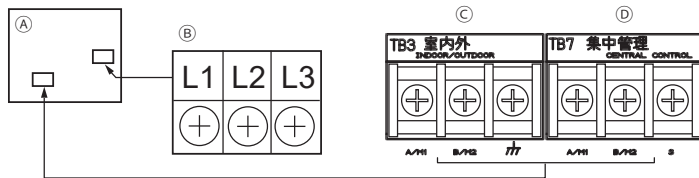
### 10-5-3. Conexión de los cables

(E)P72

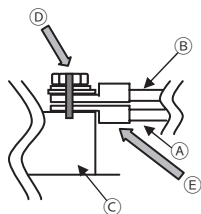


- (A) Caja de control
- (B) Bloque de terminales de la fuente de alimentación eléctrica (TB1)
- (C) Bloque de terminales para la línea de transmisión interior-exterior (TB3)
- (D) Bloque de terminales del cable de transmisión de control centralizado (TB7)

(E)P96 a 240



- (A) Bloque de terminales con tornillos flojos
- (B) Bloque de terminales correctamente instalado
- (C) Instale arandelas de presión en paralelo al bloque de terminales.



- (A) Cables de alimentación, cables de transmisión
- (B) Conexión en estrella (solo cables de transmisión)
- (C) Bloques de terminales (TB1, TB3, TB7)
- (D) Realice una marca de alineación.
- (E) Instale los terminales de anillo uno tras otro.

#### <Atención>

- Conecte los cables al bloque de terminales de la fuente de alimentación y al bloque de terminales de la transmisión, respectivamente. Una conexión errónea no permite que el sistema funcione.
- No conecte nunca el cable de alimentación al bloque de terminales de la transmisión. Si se conecta, los componentes eléctricos resultarán dañados.
- Los cables de transmisión deben separarse (5 cm [2 pulg.] o más) del cable de alimentación para que no se vean afectados por el ruido eléctrico del cable de alimentación. (No coloque los cables de transmisión y el cable de alimentación en la misma tubería).
- Aplique el par de apriete correspondiente a cada tipo de tornillo mostrado a continuación. Procure no aplicar un par de apriete excesivo para no dañar el tornillo.  
 Bloque de terminales (TB1, TNU [tornillo M8]: 10–13,5 [N·m], YNU [tornillo M6]: 2,5–2,9 [N·m]  
 Bloque de terminales (TB3, TB7 [tornillo M3,5]): 0,82–1,0 [N·m]
- Cuando apriete los tornillos, no presione el destornillador con fuerza para evitar dañar el tornillo.
- Una vez apretados los tornillos, realice una marca de alineación con un marcador permanente atravesando la cabeza del tornillo, la arandela y el terminal.

Siga el procedimiento a continuación para conectar los cables.

- ① Conecte el cable de transmisión interior-exterior al TB3.  
 Si se conectan varias unidades exteriores al mismo sistema refrigerante, conecte en estrella el TB3 (M1, M2, terminal de tierra) de las unidades exteriores. Conecte el cable de transmisión interior-exterior de la unidad interior al TB3 (M1, M2, terminal de tierra) de una sola de las unidades exteriores. Conecte el terminal blindado al terminal de tierra.
- ② Conecte los cables de la transmisión de control centralizado (entre el sistema de control centralizado y las unidades exteriores de diferentes sistemas refrigerante) al TB7.  
 Si existen varias unidades exteriores conectadas al mismo sistema refrigerante, conecte en estrella el TB7 (M1, M2, S) en todas las unidades exteriores del mismo sistema refrigerante.\*1 Conecte el terminal blindado al terminal S.  
\*1 Si el TB7 de las unidades exteriores en el mismo sistema refrigerante no está conectado en estrella, conecte el cable de transmisión de control centralizado al TB7 de la OC. Si la OC está fuera de funcionamiento, o si el control centralizado se realiza durante la desconexión de la alimentación eléctrica, conecte en estrella el TB7 en la OC y OS. (En caso de que la unidad exterior cuyo conector de puente CN41 en el tablero de control se sustituyó por CN40 esté fuera de funcionamiento o en caso de que la alimentación esté desconectada, el control centralizado no se efectuará aunque TB7 esté conectado en estrella.)
- ③ Si no existe una fuente de alimentación conectada al cable de transmisión de control centralizado, desplace el conector de puente de CN41 a CN40 en una sola de las unidades exteriores (excepto el modelo TNU). Cuando el controlador del sistema está conectado al lado TB7 y se está utilizando el modelo de unidad exterior TNU, conecte una fuente de alimentación al lado TB7. Si no se puede utilizar una fuente de alimentación, conecte el controlador del sistema al lado TB3. Se pueden conectar hasta tres controladores del sistema al lado TB3.
- ④ En la unidad exterior cuyo conector de puente desplazó de CN41 a CN40, cortocircuite el terminal S y el terminal de tierra.
- ⑤ Conecte los terminales M1 y M2 del bloque de terminales de la transmisión de la unidad interior que tengan las direcciones más bajas del grupo al bloque de terminales del controlador remoto.

- ⑥ Si se conecta un controlador del sistema, establezca el SW5-1 de todas las unidades exteriores en ON.
- ⑦ Fije los cables firmemente con la cinta de sujeción de cables por debajo del bloque de terminales.

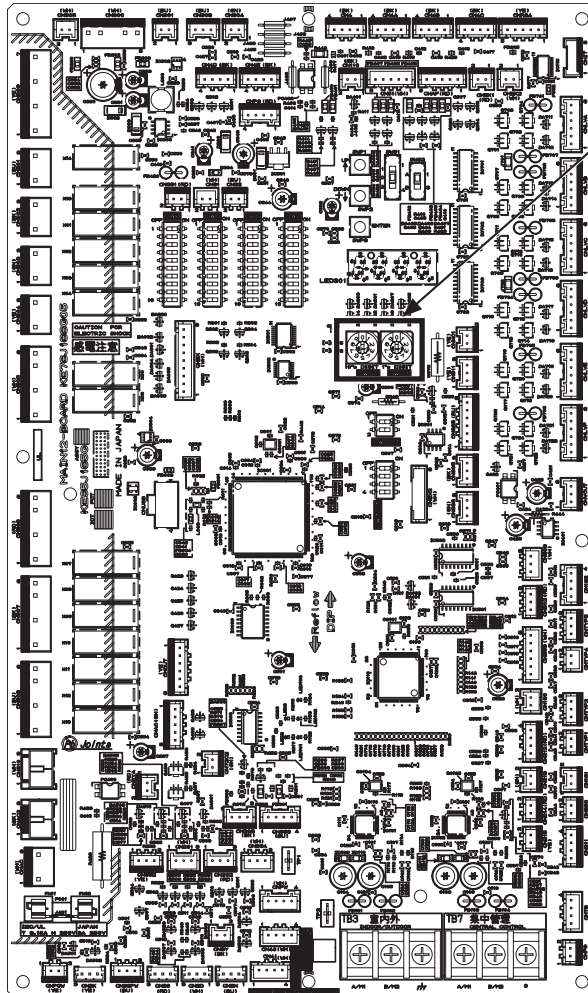
## 10-6. Ajuste de la dirección

• Active el interruptor de ajuste de la dirección tal como se muestra más abajo.

		Método de ajuste de la dirección	Dirección
Unidad interior (principal, subordinada)		Asigne la dirección más baja a la unidad interior principal del grupo y asigne direcciones consecutivas al resto de unidades interiores del mismo grupo. * En un sistema R2 con un controlador sub BC, realice los ajustes de las unidades interiores en el siguiente orden. (Ajuste las direcciones de forma que las direcciones de ① sean inferiores a las de ②, y las direcciones de ② sean inferiores a las de ③). ① Unidades interiores conectadas al controlador BC principal o al controlador HBC principal ② Unidades interiores conectadas al controlador sub BC 1 ③ Unidades interiores conectadas al controlador sub BC 2	01 a 50
Unidad exterior (OC, OS)		Asigne direcciones consecutivas a las unidades exteriores del mismo sistema refrigerante. * Para establecer la dirección en 100, se deberá establecer el interruptor de configuración de dirección en 50.	51 a 100
Controlador BC	Principal	Asigne una dirección igual a la dirección de la unidad exterior más 1. Si la dirección asignada al controlador BC principal coincide con cualquiera de las direcciones asignadas a las unidades exteriores o al controlador sub BC, utilice una dirección diferente no utilizada dentro del rango de ajuste. * Para establecer la dirección en 100, se deberá establecer el interruptor de configuración de dirección en 50.	51 a 100
	Subordinada	Asigne una dirección que sea igual a la dirección más baja de las unidades interiores conectadas al controlador sub BC más 50. * Para establecer la dirección en 100, se deberá establecer el interruptor de configuración de dirección en 50.	51 a 100
Controlador remoto ME	Principal	Asigne una dirección igual a la dirección de la unidad interior principal del grupo más 100.	101 a 150
	Subordinada	Asigne una dirección igual a la dirección de la unidad interior principal del grupo más 150.	151 a 200
Controlador remoto MA		No requiere ajuste de la dirección. (Requiere el ajuste de la unidad principal/subordinada).	-

\* Las unidades exteriores de un mismo circuito de refrigerante se designan automáticamente como OC y OS. Las unidades exteriores se designan como OC y OS en orden descendente de capacidad (si dos o más unidades tienen la misma capacidad, en orden ascendente de dirección).

\* Realice el ajuste del grupo de unidades interiores desde los controladores remotos después de encender todas las unidades.



Interruptor de ajuste de la dirección (unidades exteriores)

# 11. Funcionamiento de prueba

---

## 11-1. Antes de realizar una prueba de funcionamiento

### PRECAUCIÓN

**Una vez completado el trabajo de cableado, mida la resistencia de aislamiento y asegúrese de que la lectura muestre 1 MΩ como mínimo.**

- Si no lo hace, podrían producirse descargas eléctricas, averías o incendios.

**Active la alimentación eléctrica al menos 12 horas antes de iniciar la puesta en funcionamiento. Mantenga la unidad encendida durante toda la temporada de trabajo.**

- Una alimentación insuficiente provocará averías.

- Antes de realizar una prueba de funcionamiento, apague la unidad exterior y desconecte el cable de alimentación del bloque de terminales de la fuente de alimentación para medir la resistencia de aislamiento.
- Mida la resistencia de aislamiento entre el bloque de terminales de la fuente de alimentación y la conexión a tierra con un ohmímetro de 500 V; asegúrese de que sea como mínimo 1 MΩ.
- Si la resistencia de aislamiento es de 1 MΩ o superior, conecte el cable de alimentación del terminal de la fuente de alimentación y encienda la unidad durante al menos 12 horas antes de ponerla en marcha. Si la resistencia de aislamiento está inferior a 1 MΩ, no ponga en marcha la unidad y compruebe si el compresor presenta alguna falta a tierra.
- Mientras la unidad esté encendida, el compresor seguirá energizado incluso cuando esté detenido.
- La resistencia de aislamiento entre el bloque de terminales de la fuente de alimentación y el terminal de tierra puede caer a aproximadamente 1 MΩ inmediatamente después de la instalación o si se ha mantenido apagada la unidad durante un período prolongado de tiempo, debido al estancamiento del refrigerante en el compresor.
- Encienda la unidad y manténgala encendida durante 12 horas o más para que el refrigerante del compresor se evapore y aumente la resistencia de aislamiento.
- No aplique la tensión de un ohmímetro al bloque de terminales de los cables de transmisión. Si hace esto, se dañará el tablero de control.
- No mida la resistencia de aislamiento del bloque de terminales de la transmisión del controlador remoto de la unidad.
- Compruebe si existen fugas de refrigerante y si existen cables de alimentación y de transmisión sueltos.
- Compruebe que las válvulas de servicio del lado de alta y baja presión estén completamente abiertas. Apriete las tapas de las válvulas.
- Compruebe el orden de fases de la fuente de alimentación y la tensión de la interfaz. Si la tensión está fuera del intervalo de  $\pm 10\%$  o si el desequilibrio de tensión supera el 2%, consulte con el cliente las contramedidas que debe tomar.
- Si existe una unidad amplificadora de transmisión conectada, enciéndala antes de encender la unidad exterior. Si enciende primero la unidad exterior, no se verificará correctamente la información de conexión del circuito de refrigerante. Si ha encendido primero la unidad exterior, encienda la unidad amplificadora de transmisión y, a continuación, apague y vuelva a encender la unidad exterior.
- Si hay una fuente de alimentación conectada al cable de transmisión de control centralizado o si utiliza un controlador de sistema con función de fuente de alimentación, realice una prueba de funcionamiento con la fuente de alimentación energizada. Deje el conector de puente conectado a CN41.
- Al encender la unidad o al recuperar la alimentación, el rendimiento de la misma puede disminuir durante aproximadamente 30 minutos.

## 11-2. Ajuste de función

Realice el ajuste de función configurando los interruptores DIP SW4, SW6 y SWP3 del panel principal.

Anote los ajustes de los interruptores en la etiqueta del diagrama del cableado eléctrico en el panel frontal de la caja de control para referencia futura cuando sea necesario sustituir el tablero de control.

- Complete los siguientes pasos para realizar el ajuste de unidad de temperatura (°C o °F).

- ① Establezca el 10º dígito binario de SW6 en ON.
- ② Ajuste SW4 como muestra la siguiente tabla para seleccionar el elemento de ajuste No. 921. (El n.º de elemento de ajuste aparecerá en el LED1).
- ③ Presione SWP3 durante dos segundos o más para cambiar el ajuste. (Los ajustes pueden comprobarse en el LED3).

	No. de elemento de ajuste	SW4 0: OFF, 1: ON *1										Ajuste (visualización de LED3) *2	
		1	2	3	4	5	6	7	8	9	10	Apagado	Encendido
Ajuste de unidad de temperatura	921	1	0	0	1	1	0	0	1	1	1	°C	°F

\*1 Realice el ajuste de SW4 con la unidad energizada.

\*2 Se encenderá de manera intermitente mientras el sistema está poniéndose en funcionamiento.

- Para realizar varios ajustes de función mediante el SW5 y SW6, consulte la siguiente tabla.

	Índice de ajustes	Ajuste		Temporización de ajuste del interruptor
		OFF	ON	
SW5-1	Interruptor de control centralizado	Sin conexión al controlador centralizado	Con conexión al controlador centralizado	Antes de energizar la unidad
SW5-2	Borrado de la información de conexión	Control normal	Borrado	Antes de energizar la unidad
SW5-3	-	Predeterminado antes del envío		-
SW5-4	-			-
SW5-5	-			-
SW5-6	-			-
SW5-7	-			-
SW5-8	-			-

	Índice de ajustes	Ajuste		Temporización de ajuste del interruptor
		OFF	ON	
SW6-1	-	-	-	-
SW6-2	-	-	-	-
SW6-3	-	-	-	-
SW6-4	Ajuste de presión estática alta	Consulte *1.	Consulte *1.	Antes de energizar la unidad
SW6-5				
SW6-6	-	-	-	-
SW6-7	Selección del modo de bajo ruido	Prioridad de rendimiento	Prioridad de bajo ruido	En cualquier momento después de ser energizado
SW6-8	Selección de bajo ruido o demanda	Bajo ruido (Noche)	Demanda	Antes de energizar la unidad
SW6-9	Selección de visualización diagnóstico o ajuste de detalles de funcionamiento	Consulte *2.	Consulte *2.	En cualquier momento después de ser energizado
SW6-10				

\* No cambie los ajustes de fábrica de SW5-3 a SW5-8.

\* A menos que se especifique lo contrario, deje el interruptor en OFF cuando esté indicado por "-", que puede estar ajustado en OFF por algún motivo.

\*1

	SW6-5: ON	SW6-5: OFF
SW6-4: ON	80 Pa	60 Pa
SW6-4: OFF	30 Pa	0 Pa

\*2

	SW6-10: ON	SW6-10: OFF
SW6-9: ON	LED (tipo redondo) n° 0 a 1023	LED (7 segundos) n° 1024 a 2047
SW6-9: OFF	Ajuste de función n° 0 a 1023	LED (7 segundos) n° 0 a 1023

## 11-3. Características de funcionamiento relacionadas con la carga de refrigerante

Antes de intentar ajustar la carga de refrigerante de un sistema determinado, es importante entender claramente las características del refrigerante y las características de funcionamiento de los acondicionadores de aire.

- Durante la operación de refrigeración, la cantidad de refrigerante presente en el acumulador es la mínima con todas las unidades interiores en funcionamiento.
- Durante la operación de calefacción, la cantidad de refrigerante presente en el acumulador es la máxima con todas las unidades interiores en funcionamiento.
- Una carga insuficiente de refrigerante tiende a aumentar la temperatura de descarga.
- Cambiar la cantidad de refrigerante del sistema habiendo refrigerante en el acumulador apenas afecta a la temperatura de descarga.
- Cuanto mayor es el nivel de presión alta, más probable es que aumente la temperatura de descarga.
- Cuanto menor es el nivel de presión baja, más probable es que aumente la temperatura de descarga.
- Cuando la cantidad de refrigerante presente en el sistema es la adecuada, la temperatura de la carcasa del compresor es de 10 a 60 °C (de 50 a 140 °F) más alta que la temperatura de saturación de baja presión. Si la diferencia de temperatura entre la temperatura de la carcasa del compresor y la temperatura de saturación de baja presión es de 5 °C (41 °F) o inferior, puede producirse una sobrecarga de refrigerante.

## 11-4. Comprobación de funcionamiento

Los síntomas citados a continuación son normales y no representan ningún problema.

Situaciones	Aparición en pantalla del controlador remoto	Causa
La paleta automática cambia automáticamente la dirección del flujo de aire.	Visualización normal	La paleta automática puede cambiar el funcionamiento del flujo de aire de vertical a horizontal en el modo refrigeración si el funcionamiento del flujo de aire vertical ha estado en marcha durante 1 hora. En descongelación en el modo calefacción o inmediatamente después de activar/desactivar la calefacción, la paleta automática cambia automáticamente a flujo de aire horizontal durante un breve período de tiempo.
La velocidad del ventilador cambia automáticamente durante el funcionamiento de la calefacción.	Visualización normal	El ventilador funciona a velocidad muy baja cuando el termostato está desactivado y cambia automáticamente a la velocidad preestablecida de acuerdo con el ajuste del temporizador o de la temperatura del refrigerante cuando se enciende el termostato.
El ventilador se para durante el funcionamiento de la calefacción.	"Defrost"	El ventilador permanece detenido durante el ciclo de descongelación.
El ventilador sigue funcionando después de que la unidad se haya detenido.	Ninguna visualización	La unidad se detiene durante la operación de calefacción y, a continuación, el ventilador se pone en marcha durante un minuto para expulsar el calor.
Al principio del modo de funcionamiento calefacción, no es posible ajustar el ventilador manualmente.	"Stand By"	El ventilador funciona a velocidad muy baja durante cinco minutos tras el inicio de la operación de calefacción o hasta que la temperatura alcance los 35°C (95°F). A continuación, el ventilador funciona a baja velocidad durante dos minutos y finalmente se ajusta a la velocidad preestablecida.
Cuando se enciende la unidad, aparece la pantalla de la derecha en el controlador remoto durante alrededor de cinco minutos.	El mensaje "HO" o "PLEASE WAIT" aparece de manera intermitente.	El sistema se inicia. Espere hasta que el mensaje "HO" o "PLEASE WAIT" deje de parpadear y se apague e inténtelo de nuevo.
La bomba de drenaje sigue funcionando después de que la unidad se haya detenido.	Ninguna visualización	La bomba de drenaje sigue en funcionamiento durante tres minutos después de haberse detenido el modo de refrigeración. La bomba de drenaje se pone en marcha cuando detecta agua de drenaje, incluso con la unidad detenida.
La unidad interior emite ruido al cambiar de calefacción a refrigeración y viceversa.	Visualización normal	Se trata de un sonido normal del circuito de refrigeración funcionando correctamente.
Inmediatamente después del encendido, la unidad interior emite el sonido del flujo de líquido.	Visualización normal	Un flujo inestable del medio de calefacción produce sonido. Se trata de algo temporal y no indica un problema.
Un momento después de que la unidad exterior se detiene, la unidad produce un chasquido.	Ninguna visualización	Una vez que la unidad se detiene y antes de realizarse la equalización de presión, la diferencia de presión se vuelve temporalmente pequeña, y la válvula de retención puede vibrar y producir un sonido. Esto es temporario, y no implica un problema.
El agua de drenaje sale de la unidad exterior por la parte inferior del intercambiador de calor.	Ninguna visualización	Esto asegura el drenaje adecuado del agua de drenaje en el caso de que el agua de drenaje se congele y se quede en la unidad exterior durante la operación de calefacción a temperatura ambiente baja.

## 12. Inspección y mantenimiento

### ADVERTENCIA

**Solo personal cualificado debe reubicar o reparar la unidad. No intente desmontar ni alterar la unidad.**

- Si lo hace, podrían producirse fugas de refrigerante, fugas de agua, lesiones graves, descargas eléctricas o incendios.
- Mientras la unidad esté encendida, el compresor seguirá energizado incluso cuando esté detenido. Antes de inspeccionar el interior de la caja de control, apague la unidad, mantenga la unidad apagada durante 10 minutos como mínimo y confirme que la tensión del capacitador (circuito principal del inversor) haya caído a 20 V CC o menos. (Llevará alrededor de 10 minutos descargar la electricidad después de cortar el suministro eléctrico).
- Las cajas de control alojan componentes eléctricos de alta tensión y altas temperaturas. Estos pueden seguir energizados o calientes después de cortar el suministro eléctrico.
- Realice las reparaciones después de haber desconectado los conectores (RYFAN1 y RYFAN2). (Para enchufar o desenchufar los conectores, compruebe que el ventilador de la unidad exterior no esté girando y que la tensión del condensador en el circuito principal sea de 20 V CC o menos. El condensador podría cargarse y provocar una descarga eléctrica cuando el ventilador de la unidad exterior gira por la acción del viento. Para más información, consulte la placa de características del cableado). Después de realizar las reparaciones, vuelva a conectar los conectores (RYFAN1 y RYFAN2).
- Después de un uso prolongado de la unidad, los componentes de la unidad pueden estropearse y provocar una reducción del rendimiento o convertir la unidad en un riesgo para la seguridad. Para utilizar la unidad con seguridad y maximizar su vida útil, se recomienda firmar un contrato de mantenimiento con un distribuidor o técnico cualificado. Si firma un contrato de este tipo, los técnicos de mantenimiento inspeccionarán periódicamente la unidad para identificar cualquier daño de forma oportuna y tomar las medidas correspondientes.
- Para más información sobre los intervalos de mantenimiento y recomendaciones operativas, póngase en contacto con su oficina local de ventas de MITSUBISHI ELECTRIC.
- Cuando la unidad exterior está instalada en la chapa impermeable, esta puede ensuciarse debido al componente de cobre que filtra de la unidad. En este caso, se recomienda instalar una bandeja de drenaje para el drenaje centralizado.

# 13. Información en la placa de datos técnicos

## (1) Modelos TNU

Modelo	PURY-P72TNU-A(-BS)	PURY-P96TNU-A(-BS)	PURY-P120TNU-A(-BS)	PURY-P144TNU-A(-BS)	PURY-P168TNU-A(-BS)
Combinación de unidades	–	–	–	–	–
Refrigerante (R410A)	5,2 kg [11 lb 7 oz]	8,0 kg [17 lb 10 oz]	8,0 kg [17 lb 10 oz]	10,8 kg [23 lb 12 oz]	10,8 kg [23 lb 12 oz]
Presión admisible (Ps)	AP: 4,15 MPa [601 psi], BP: 2,21 MPa [320 psi]				
Peso neto	219 kg [483 lb]	261 kg [576 lb]	271 kg [598 lb]	293 kg [646 lb]	335 kg [739 lb]

Modelo	PURY-P192TSNU-A(-BS)		PURY-P216TSNU-A(-BS)	
Combinación de unidades	PURY-P96TNU-A(-BS)	PURY-P96TNU-A(-BS)	PURY-P120TNU-A(-BS)	PURY-P96TNU-A(-BS)
Refrigerante (R410A)	8,0 kg [17 lb 10 oz]	8,0 kg [17 lb 10 oz]	8,0 kg [17 lb 10 oz]	8,0 kg [17 lb 10 oz]
Presión admisible (Ps)	AP: 4,15 MPa [601 psi], BP: 2,21 MPa [320 psi]			
Peso neto	261 kg [576 lb]	261 kg [576 lb]	271 kg [598 lb]	261 kg [576 lb]

Modelo	PURY-P240TSNU-A(-BS)		PURY-P264TSNU-A(-BS)	
Combinación de unidades	PURY-P120TNU-A(-BS)	PURY-P120TNU-A(-BS)	PURY-P144TNU-A(-BS)	PURY-P120TNU-A(-BS)
Refrigerante (R410A)	8,0 kg [17 lb 10 oz]	8,0 kg [17 lb 10 oz]	10,8 kg [23 lb 12 oz]	8,0 kg [17 lb 10 oz]
Presión admisible (Ps)	AP: 4,15 MPa [601 psi], BP: 2,21 MPa [320 psi]			
Peso neto	271 kg [598 lb]	271 kg [598 lb]	293 kg [646 lb]	271 kg [598 lb]

Modelo	PURY-P288TSNU-A(-BS)		PURY-P312TSNU-A(-BS)	
Combinación de unidades	PURY-P144TNU-A(-BS)	PURY-P144TNU-A(-BS)	PURY-P168TNU-A(-BS)	PURY-P144TNU-A(-BS)
Refrigerante (R410A)	10,8 kg [23 lb 12 oz]	10,8 kg [23 lb 12 oz]	10,8 kg [23 lb 12 oz]	10,8 kg [23 lb 12 oz]
Presión admisible (Ps)	AP: 4,15 MPa [601 psi], BP: 2,21 MPa [320 psi]			
Peso neto	293 kg [646 lb]	293 kg [646 lb]	335 kg [739 lb]	293 kg [646 lb]

Modelo	PURY-P336TSNU-A(-BS)	
Combinación de unidades	PURY-P168TNU-A(-BS)	PURY-P168TNU-A(-BS)
Refrigerante (R410A)	10,8 kg [23 lb 12 oz]	10,8 kg [23 lb 12 oz]
Presión admisible (Ps)	AP: 4,15 MPa [601 psi], BP: 2,21 MPa [320 psi]	
Peso neto	335 kg [739 lb]	335 kg [739 lb]

Modelo	PURY-EP72TNU-A(-BS)	PURY-EP96TNU-A(-BS)	PURY-EP120TNU-A(-BS)	PURY-EP144TNU-A(-BS)	PURY-EP168TNU-A(-BS)
Combinación de unidades	–	–	–	–	–
Refrigerante (R410A)	5,2 kg [11 lb 7 oz]	8,0 kg [17 lb 10 oz]	8,0 kg [17 lb 10 oz]	10,8 kg [23 lb 12 oz]	10,8 kg [23 lb 12 oz]
Presión admisible (Ps)	AP: 4,15 MPa [601 psi], BP: 2,21 MPa [320 psi]				
Peso neto	235 kg [519 lb]	278 kg [613 lb]	282 kg [622 lb]	308 kg [680 lb]	352 kg [777 lb]

Modelo	PURY-EP192TNU-A(-BS)	PURY-EP192TSNU-A(-BS)		PURY-EP216TNU-A(-BS)
Combinación de unidades	–	PURY-EP96TNU-A(-BS)	PURY-EP96TNU-A(-BS)	–
Refrigerante (R410A)	11,8 kg [26 lb 1 oz]	8,0 kg [17 lb 10 oz]	8,0 kg [17 lb 10 oz]	11,8 kg [26 lb 1 oz]
Presión admisible (Ps)	AP: 4,15 MPa [601 psi], BP: 2,21 MPa [320 psi]			
Peso neto	402 kg [887 lb]	278 kg [613 lb]	278 kg [613 lb]	402 kg [887 lb]

Modelo	PURY-EP216TSNU-A(-BS)		PURY-EP240TNU-A(-BS)	PURY-EP240TSNU-A(-BS)	
Combinación de unidades	PURY-EP120TNU-A(-BS)	PURY-EP96TNU-A(-BS)	–	PURY-EP120TNU-A(-BS)	PURY-EP120TNU-A(-BS)
Refrigerante (R410A)	8,0 kg [17 lb 10 oz]	8,0 kg [17 lb 10 oz]	11,8 kg [26 lb 1 oz]	8,0 kg [17 lb 10 oz]	8,0 kg [17 lb 10 oz]
Presión admisible (Ps)	AP: 4,15 MPa [601 psi], BP: 2,21 MPa [320 psi]				
Peso neto	282 kg [622 lb]	278 kg [613 lb]	402 kg [887 lb]	282 kg [622 lb]	282 kg [622 lb]

Modelo	PURY-EP264TSNU-A(-BS)		PURY-EP288TSNU-A(-BS)	
Combinación de unidades	PURY-EP144TNU-A(-BS)	PURY-EP120TNU-A(-BS)	PURY-EP144TNU-A(-BS)	PURY-EP144TNU-A(-BS)
Refrigerante (R410A)	10,8 kg [23 lb 12 oz]	8,0 kg [17 lb 10 oz]	10,8 kg [23 lb 12 oz]	10,8 kg [23 lb 12 oz]
Presión admisible (Ps)	AP: 4,15 MPa [601 psi], BP: 2,21 MPa [320 psi]			
Peso neto	308 kg [680 lb]	282 kg [622 lb]	308 kg [680 lb]	308 kg [680 lb]

Modelo	PURY-EP312TSNU-A(-BS)		PURY-EP336TSNU-A(-BS)	
Combinación de unidades	PURY-EP168TNU-A(-BS)	PURY-EP144TNU-A(-BS)	PURY-EP168TNU-A(-BS)	PURY-EP168TNU-A(-BS)
Refrigerante (R410A)	10,8 kg [23 lb 12 oz]	10,8 kg [23 lb 12 oz]	10,8 kg [23 lb 12 oz]	10,8 kg [23 lb 12 oz]
Presión admisible (Ps)	AP: 4,15 MPa [601 psi], BP: 2,21 MPa [320 psi]			
Peso neto	352 kg [777 lb]	308 kg [680 lb]	352 kg [777 lb]	352 kg [777 lb]

Modelo	PURY-EP384TSNU-A(-BS)		PURY-EP432TSNU-A(-BS)	
Combinación de unidades	PURY-EP192TNU-A(-BS)	PURY-EP192TNU-A(-BS)	PURY-EP216TNU-A(-BS)	PURY-EP216TNU-A(-BS)
Refrigerante (R410A)	11,8 kg [26 lb 1 oz]	11,8 kg [26 lb 1 oz]	11,8 kg [26 lb 1 oz]	11,8 kg [26 lb 1 oz]
Presión admisible (Ps)	AP: 4,15 MPa [601 psi], BP: 2,21 MPa [320 psi]			
Peso neto	402 kg [887 lb]	402 kg [887 lb]	402 kg [887 lb]	402 kg [887 lb]



(2) Modelos YNU

Modelo	PURY-P72YNU-A(-BS)	PURY-P96YNU-A(-BS)	PURY-P120YNU-A(-BS)	PURY-P144YNU-A(-BS)	PURY-P168YNU-A(-BS)
Combinación de unidades	–	–	–	–	–
Refrigerante (R410A)	5,2 kg [11 lb 7 oz]	8,0 kg [17 lb 10 oz]	8,0 kg [17 lb 10 oz]	10,8 kg [23 lb 12 oz]	10,8 kg [23 lb 12 oz]
Presión admisible (Ps)	AP: 4,15 MPa [601 psi], BP: 2,21 MPa [320 psi]				
Peso neto	234 kg [516 lb]	277 kg [611 lb]	287 kg [633 lb]	309 kg [682 lb]	351 kg [774 lb]

Modelo	PURY-P192YSNU-A(-BS)		PURY-P216YSNU-A(-BS)	
Combinación de unidades	PURY-P96YNU-A(-BS)	PURY-P96YNU-A(-BS)	PURY-P120YNU-A(-BS)	PURY-P96YNU-A(-BS)
Refrigerante (R410A)	8,0 kg [17 lb 10 oz]	8,0 kg [17 lb 10 oz]	8,0 kg [17 lb 10 oz]	8,0 kg [17 lb 10 oz]
Presión admisible (Ps)	AP: 4,15 MPa [601 psi], BP: 2,21 MPa [320 psi]			
Peso neto	277 kg [611 lb]	277 kg [611 lb]	287 kg [633 lb]	277 kg [611 lb]

Modelo	PURY-P240YSNU-A(-BS)		PURY-P264YSNU-A(-BS)	
Combinación de unidades	PURY-P120YNU-A(-BS)	PURY-P120YNU-A(-BS)	PURY-P144YNU-A(-BS)	PURY-P120YNU-A(-BS)
Refrigerante (R410A)	8,0 kg [17 lb 10 oz]	8,0 kg [17 lb 10 oz]	10,8 kg [23 lb 12 oz]	8,0 kg [17 lb 10 oz]
Presión admisible (Ps)	AP: 4,15 MPa [601 psi], BP: 2,21 MPa [320 psi]			
Peso neto	287 kg [633 lb]	287 kg [633 lb]	309 kg [682 lb]	287 kg [633 lb]

Modelo	PURY-P288YSNU-A(-BS)		PURY-P312YSNU-A(-BS)	
Combinación de unidades	PURY-P144YNU-A(-BS)	PURY-P144YNU-A(-BS)	PURY-P168YNU-A(-BS)	PURY-P144YNU-A(-BS)
Refrigerante (R410A)	10,8 kg [23 lb 12 oz]	10,8 kg [23 lb 12 oz]	10,8 kg [23 lb 12 oz]	10,8 kg [23 lb 12 oz]
Presión admisible (Ps)	AP: 4,15 MPa [601 psi], BP: 2,21 MPa [320 psi]			
Peso neto	309 kg [682 lb]	309 kg [682 lb]	351 kg [774 lb]	309 kg [682 lb]

Modelo	PURY-P336YSNU-A(-BS)	
Combinación de unidades	PURY-P168YNU-A(-BS)	PURY-P168YNU-A(-BS)
Refrigerante (R410A)	10,8 kg [23 lb 12 oz]	10,8 kg [23 lb 12 oz]
Presión admisible (Ps)	AP: 4,15 MPa [601 psi], BP: 2,21 MPa [320 psi]	
Peso neto	351 kg [774 lb]	351 kg [774 lb]

Modelo	PURY-EP72YNU-A(-BS)	PURY-EP96YNU-A(-BS)	PURY-EP120YNU-A(-BS)	PURY-EP144YNU-A(-BS)	PURY-EP168YNU-A(-BS)
Combinación de unidades	–	–	–	–	–
Refrigerante (R410A)	5,2 kg [11 lb 7 oz]	8,0 kg [17 lb 10 oz]	8,0 kg [17 lb 10 oz]	10,8 kg [23 lb 12 oz]	10,8 kg [23 lb 12 oz]
Presión admisible (Ps)	AP: 4,15 MPa [601 psi], BP: 2,21 MPa [320 psi]				
Peso neto	250 kg [552 lb]	294 kg [649 lb]	298 kg [657 lb]	324 kg [715 lb]	366 kg [807 lb]

Modelo	PURY-EP192YNU-A(-BS)	PURY-EP192YSNU-A(-BS)		PURY-EP216YNU-A(-BS)
Combinación de unidades	–	PURY-EP96YNU-A(-BS)	PURY-EP96YNU-A(-BS)	–
Refrigerante (R410A)	11,8 kg [26 lb 1 oz]	8,0 kg [17 lb 10 oz]	8,0 kg [17 lb 10 oz]	11,8 kg [26 lb 1 oz]
Presión admisible (Ps)	AP: 4,15 MPa [601 psi], BP: 2,21 MPa [320 psi]			
Peso neto	416 kg [918 lb]	294 kg [649 lb]	294 kg [649 lb]	416 kg [918 lb]

Modelo	PURY-EP216YSNU-A(-BS)		PURY-EP240YNU-A(-BS)	PURY-EP240YSNU-A(-BS)	
Combinación de unidades	PURY-EP120YNU-A(-BS)	PURY-EP96YNU-A(-BS)	–	PURY-EP120YNU-A(-BS)	PURY-EP120YNU-A(-BS)
Refrigerante (R410A)	8,0 kg [17 lb 10 oz]	8,0 kg [17 lb 10 oz]	11,8 kg [26 lb 1 oz]	8,0 kg [17 lb 10 oz]	8,0 kg [17 lb 10 oz]
Presión admisible (Ps)	AP: 4,15 MPa [601 psi], BP: 2,21 MPa [320 psi]				
Peso neto	298 kg [657 lb]	294 kg [649 lb]	416 kg [918 lb]	298 kg [657 lb]	298 kg [657 lb]

Modelo	PURY-EP264YSNU-A(-BS)		PURY-EP288YSNU-A(-BS)	
Combinación de unidades	PURY-EP144YNU-A(-BS)	PURY-EP120YNU-A(-BS)	PURY-EP144YNU-A(-BS)	PURY-EP144YNU-A(-BS)
Refrigerante (R410A)	10,8 kg [23 lb 12 oz]	8,0 kg [17 lb 10 oz]	10,8 kg [23 lb 12 oz]	10,8 kg [23 lb 12 oz]
Presión admisible (Ps)	AP: 4,15 MPa [601 psi], BP: 2,21 MPa [320 psi]			
Peso neto	324 kg [715 lb]	298 kg [657 lb]	324 kg [715 lb]	324 kg [715 lb]

Modelo	PURY-EP312YSNU-A(-BS)		PURY-EP336YSNU-A(-BS)	
Combinación de unidades	PURY-EP168YNU-A(-BS)	PURY-EP144YNU-A(-BS)	PURY-EP168YNU-A(-BS)	PURY-EP168YNU-A(-BS)
Refrigerante (R410A)	10,8 kg [23 lb 12 oz]	10,8 kg [23 lb 12 oz]	10,8 kg [23 lb 12 oz]	10,8 kg [23 lb 12 oz]
Presión admisible (Ps)	AP: 4,15 MPa [601 psi], BP: 2,21 MPa [320 psi]			
Peso neto	366 kg [807 lb]	324 kg [715 lb]	366 kg [807 lb]	366 kg [807 lb]

Modelo	PURY-EP384YSNU-A(-BS)		PURY-EP432YSNU-A(-BS)	
Combinación de unidades	PURY-EP192YNU-A(-BS)	PURY-EP192YNU-A(-BS)	PURY-EP216YNU-A(-BS)	PURY-EP216YNU-A(-BS)
Refrigerante (R410A)	11,8 kg [26 lb 1 oz]	11,8 kg [26 lb 1 oz]	11,8 kg [26 lb 1 oz]	11,8 kg [26 lb 1 oz]
Presión admisible (Ps)	AP: 4,15 MPa [601 psi], BP: 2,21 MPa [320 psi]			
Peso neto	416 kg [918 lb]	416 kg [918 lb]	416 kg [918 lb]	416 kg [918 lb]









---

This product is designed and intended for use in the residential,  
commercial and light-industrial environment.

Please be sure to put the contact address/telephone number  
on this manual before handing it to the customer.

**MITSUBISHI ELECTRIC CORPORATION**

HEAD OFFICE: TOKYO BLDG., 2-7-3, MARUNOUCHI, CHIYODA-KU, TOKYO 100-8310, JAPAN