

Job Name:

System Reference:

Date:

Indoor Unit:



Wireless Remote Controller



GENERAL FEATURES

- Available sizes: 9, 12, 18 kBTu/h
- Fits between 16" joists spacing
- Stylish, square design panel
- Built-in condensate lift mechanism (19.6")
- Serviceable from the bottom (electrical and flare connections)
- Adjustable fan speeds and vane directions
- Washable antibacterial and deodorizing filter
- Multiple control options available:
 - Hand-held Remote Controller (provided with unit)
 - kumo cloud® smart device app for remote access
 - Third-party interface options
 - Wired or wireless controllers
- Pocket inside the access panel for kumo cloud® Wireless Interface

SPECIFICATIONS: MLZ-KP09NA

Cooling Capacity ^{1, 3}		BTUH	9,000
Heating Capacity ^{2, 3}		BTUH	12,000
Electrical	Voltage, Phase, Frequency		208 / 230V, 1-phase, 60 Hz
	Guaranteed Voltage Range		V AC 198 – 253
	Voltage: Indoor - Outdoor, S1-S2		V AC 208 / 230
	Voltage: Indoor - Outdoor, S2-S3		V DC 24
	Voltage: Indoor - Remote Controller		Wireless Type
MCA		A	1
Fan Motor Full Load Amperage		A	0.68
Fan Motor Output		W	30
Airflow Rate, Dry, Cooling		CFM	212-254-282-311
Airflow Rate, Dry, Heating		CFM	212-247-290-325
External Static Pressure		in. WG	-
Sound Pressure Level Cooling		dB(A)	27-31-34-38
Sound Pressure Level Heating		dB(A)	26-29-34-37
Drain Pipe Size		In. (mm)	Ø1 (26mm)
Condensate Lift Mechanism, Max. Distance		In. (mm)	19-11/16 (500)
Heat Exchanger Type		Plate fin coil	
Unit // Grille External Finish Color		White // No. 4.0GY 9.1/0.2	
Unit Dimensions // Grille Dimensions		W: In. (mm)	43-3/8 (1,102) // 47-1/4 (1,200)
		D: In. (mm)	14-3/16 (360) // 16-11/16 (424)
		H: In. (mm)	7-5/16 (185) // 15/16 + 1/2 (24 + 12.7)
Package Unit Dimensions // Package Grille Dimensions		W: In. (mm)	46 - 5/16 (1,177) // 50 (1,270)
		D: In. (mm)	15-3/4 (400) // 18-14/16 (479)
		H: In. (mm)	11 (279) // 4-3/4 (121)
Unit Weight // Grille Weight		Lbs. (kg)	34 (15) // 8 (3.5)
Package Unit Weight // Package Grille Weight		Lbs. (kg)	41 (18) // 10.8 (5)
Refrigerant Type		R410A	
Piping	Gas Pipe Size O.D. (Flared)	In. (mm)	3/8 (9.52)
	Liquid Pipe Size O.D. (Flared)	In. (mm)	1/4 (6.35)

Notes:

Nominal Conditions	¹ Cooling (Indoor // Outdoor)	°F	80 DB, 67 WB // 95 DB, 75 WB
	² Heating at 47°F (Indoor // Outdoor)	°F	70 DB, 60 WB // 47 DB, 43 WB

³Capacity varies based on the number of indoor units operating and the model of the Multi-zone Outdoor Unit. For reference to connected capacity charts, please refer Multi-zone Outdoor Unit Operational Performance.

ACCESSORIES: MLZ-KP09NA

Grille (required)	□ MLP-444WU
Anti-allergy Enzyme Filter	□ MAC-408FT-E
kumo touch™ RedLINK™ Wireless Controller	□ MHK2
Deluxe MA Remote Controller ¹	□ PAR-40MAAU
Simple MA Controller ¹	□ PAC-YT53CRAU-J
Touch MA Controller ¹	□ PAR-CT01MAU-SB
Wired Remote Sensor	□ M21EAA307
Wireless Temperature and Humidity Sensor	□ PAC-USWHS003-TH-1
System Control Interface ²	□ MAC-334IF-E
External Fan / Heater Control Relay Adapter	□ CN24RELAY-KIT-CM3
Wireless Interface 2	□ PAC-USWHS002-WF-2
Thermostat Interface	□ PAC-US444CN-1
kumo station®	□ PAC-WHS01HC-E
USNAP Interface	□ PAC-WHS01UP-E
IT Extender	□ PAC-WHS01IE-E
BACnet® and MODBUS® Interface	□ PAC-UKPRC001-CN-1
External Fan / Heater Control Relay Adapter	□ CN24RELAY-KIT-CM3
Lockdown Bracket for Hand-held Remote Controllers	□ RCMKP1CB
Advanced Blue Diamond Mini Condensate Pump w/ Reservoir & Sensor (208/230V) [recommended]	□ X87-721 - 208/230V
MicroBlue Blue Diamond Mini Condensate Pump (110/208/230V) up to 18,000 BTU/H	□ X85-003
(30A/600V/UL) [fits 2" X 4" utility box] - Black	□ TAZ-MS303
(30A/600V/UL) [fits 2" X 4" utility box] - White	□ TAZ-MS303W

¹ Requires MAC-334IF-E

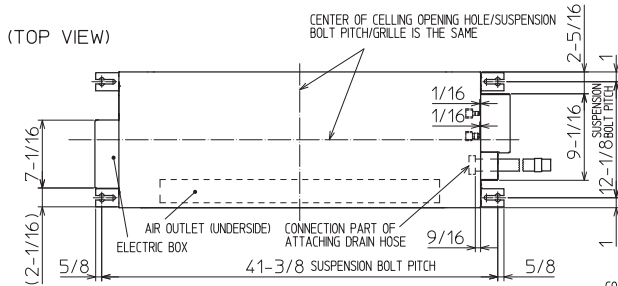
² Allows indoor units to connect to an MA Controller

DIMENSIONS: MLZ-KP09NA

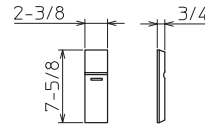
Unit: inch

INDOOR UNIT OUTLINE DRAWING

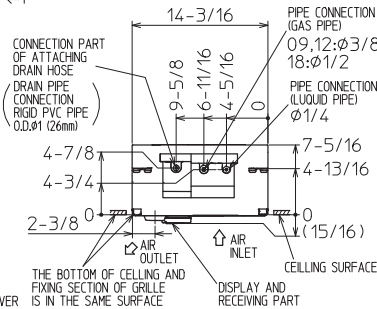
(TOP VIEW)



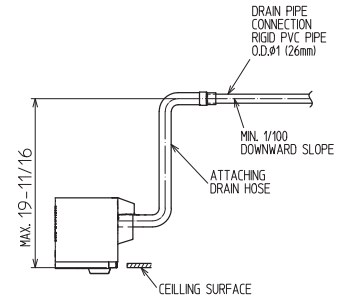
REMOTE CONTROLLER OUTLINE DRAWING



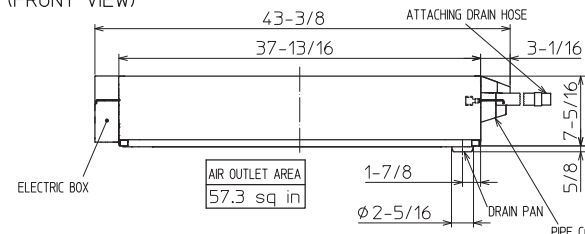
(RIGHT SIDE VIEW)



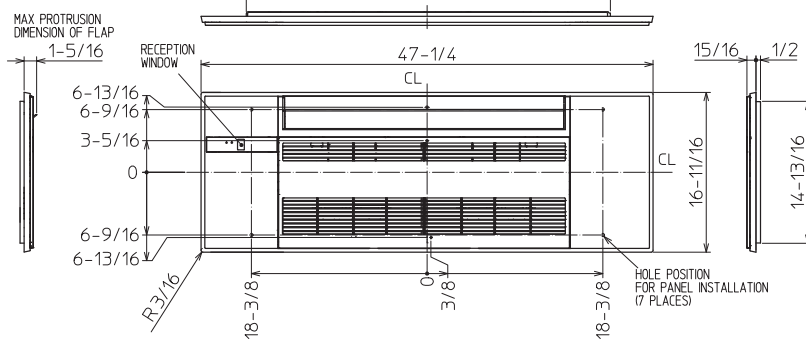
THE METHOD FOR STANDING DRAIN FROM INDOOR UNIT
 ※ CUT THE DRAIN HOSE (ACCESSORY) FOR USE, IF NECESSARY.



(FRONT VIEW)



GRILLE OUTLINE DRAWING (MLP-444W)

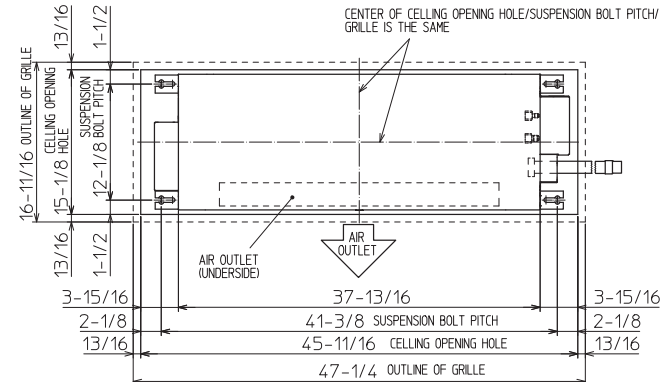


		09/12 KBTU/H	18 KBTU/H
EXTENSION PIPE	LIQUID PIPE O.D.	Ø1/4	
	GAS PIPE O.D.	Ø3/8	Ø1/2
CONNECTION OF PIPE	LIQUID PIPE	FLARED CONNECTION Ø1/4	
	GAS PIPE	FLARED CONNECTION Ø3/8	FLARED CONNECTION Ø1/2
DRAIN HOSE	HEAT INSULATOR O.D.	CONNECTION I.D.	EFFECTIVE LENGTH
DRAIN PIPE CONNECTION	RIGID PVC PIPE O.D. Ø1 (26mm)		

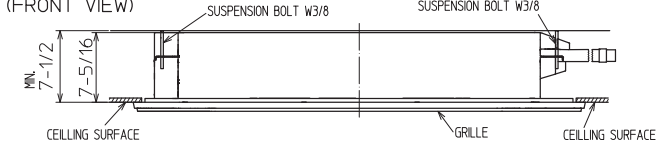
NOTE1. CUT THE DRAIN HOSE (ACCESSORY) FOR USE, IF NECESSARY.

INDOOR UNIT DETAIL VIEW

(TOP VIEW)



(FRONT VIEW)



1340 Satellite Boulevard, Suwanee, GA 30024
 Toll Free: 800-433-4822 www.mehvac.com

