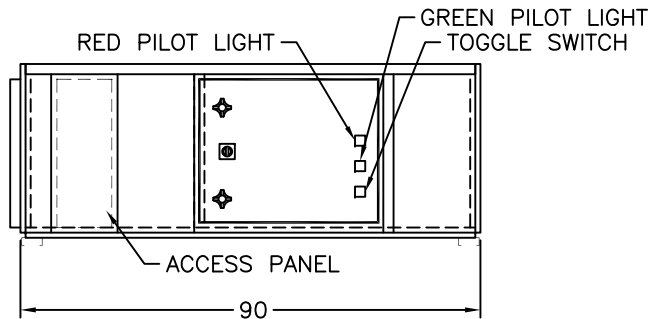


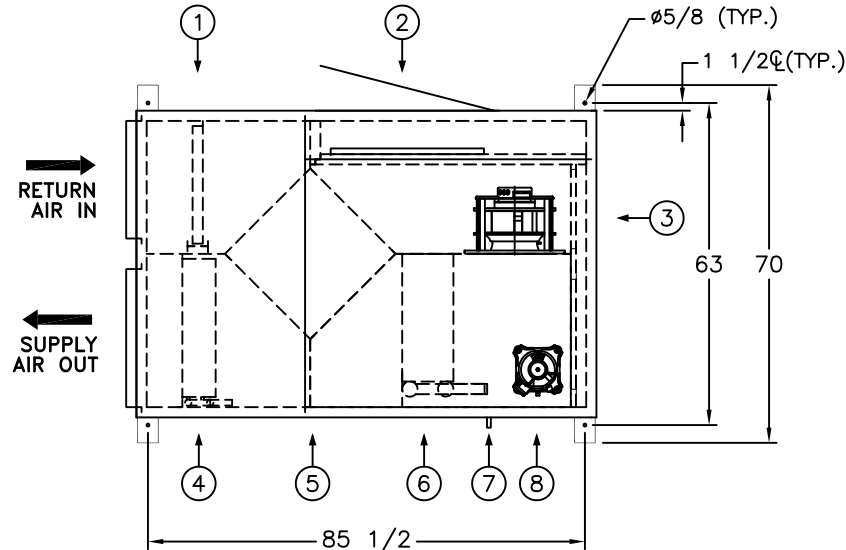
COMPONENTS:

- 1.) 2" MERV 8 RETURN AIR FILTER
- 2.) CONTROL PANEL/MAIN DISCONNECT
- 3.) SUPPLY BLOWER/MOTOR ASSEMBLY
- 4.) CONDENSER COIL
- 5.) INNOVENT HEAT EXCHANGER
- 6.) DX COIL
- 7.) CONDENSATE DRAIN (3/4" MPT)
- 8.) COMPRESSOR

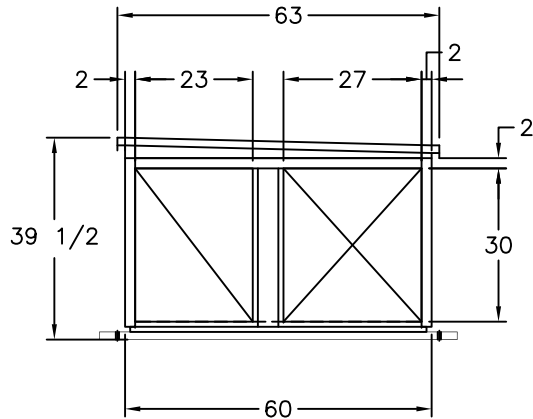
WEIGHT:
800 LBS.



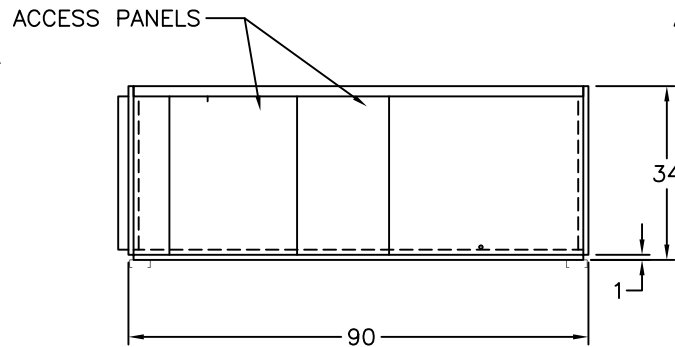
BACK VIEW



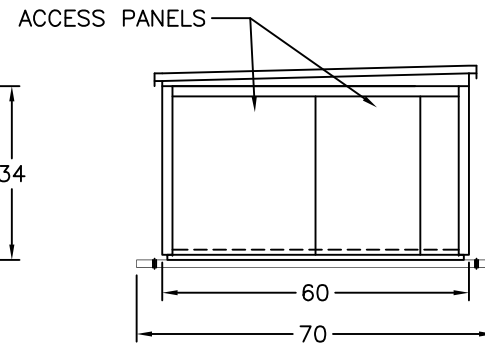
PLAN VIEW



LEFT END VIEW



FRONT VIEW



RIGHT END VIEW



ENGINEER: L. VANDERHOFF		DESCRIPTION: UNIT DRAWING	
DRAWN BY: MMS		PROJECT: Q4 DRY COMFORT	
JOB #		TAG #	
FILE NAME:		MODEL #	
DATE: 6/18/21		LASER-1-2000-SM	
			REV #: