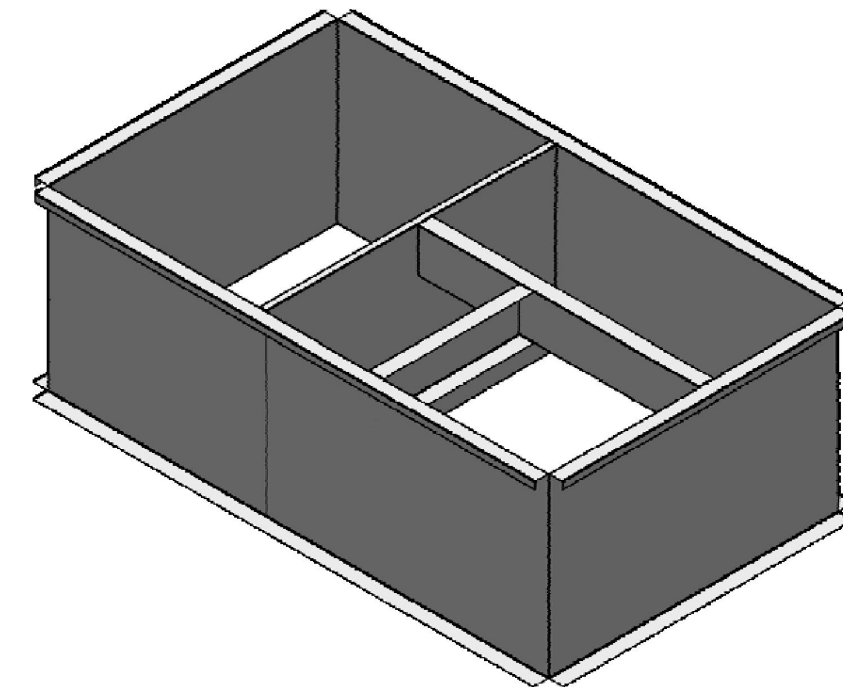
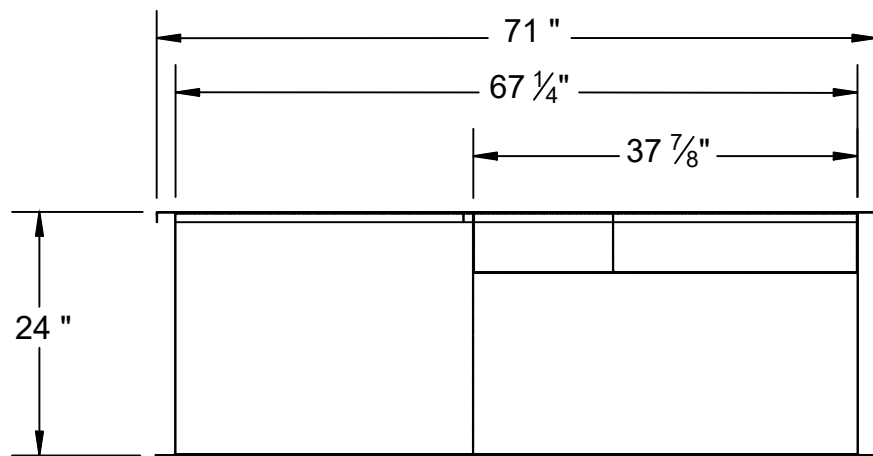
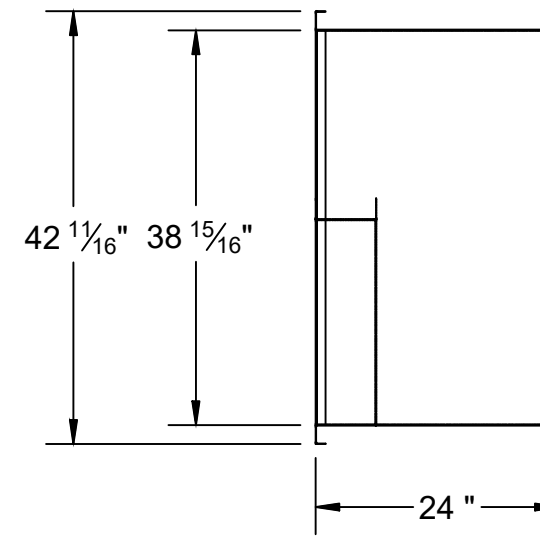
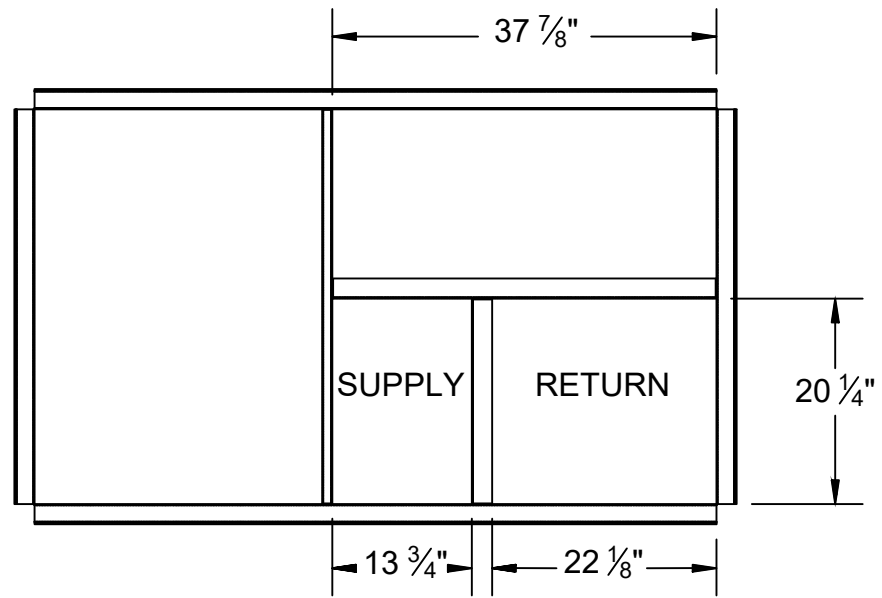


- 3T
- 4T
- 5T



QTY:

TAG:

FEATURES:

- 16 GA WALLS
- 18 GA GALVANIZED INTERNALS
- 1X1 ANGLE AT CORNERS
- PT 1X4 WOOD NAILER
- 24 " HIGH - - FLAT
- 1 " NEOPRENE GASKET

PROJECT #:	DRAWN BY:
JOB NAME:	DWG DATE:
LOCATION:	SHEET: OF