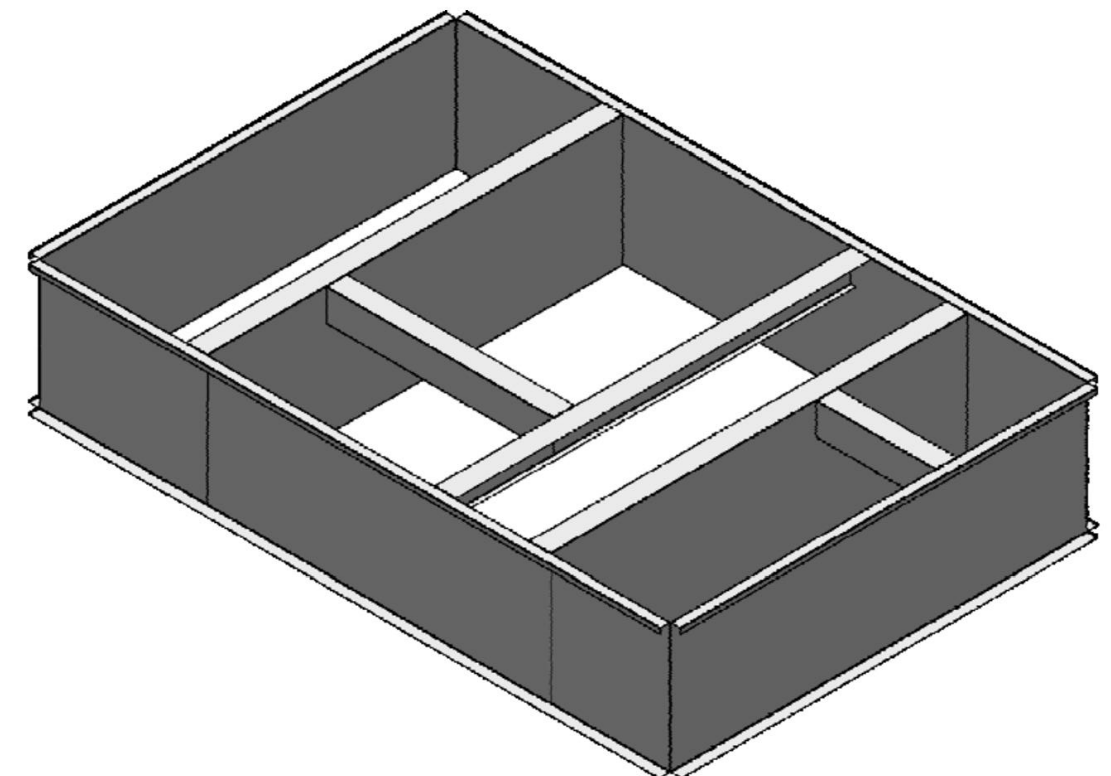
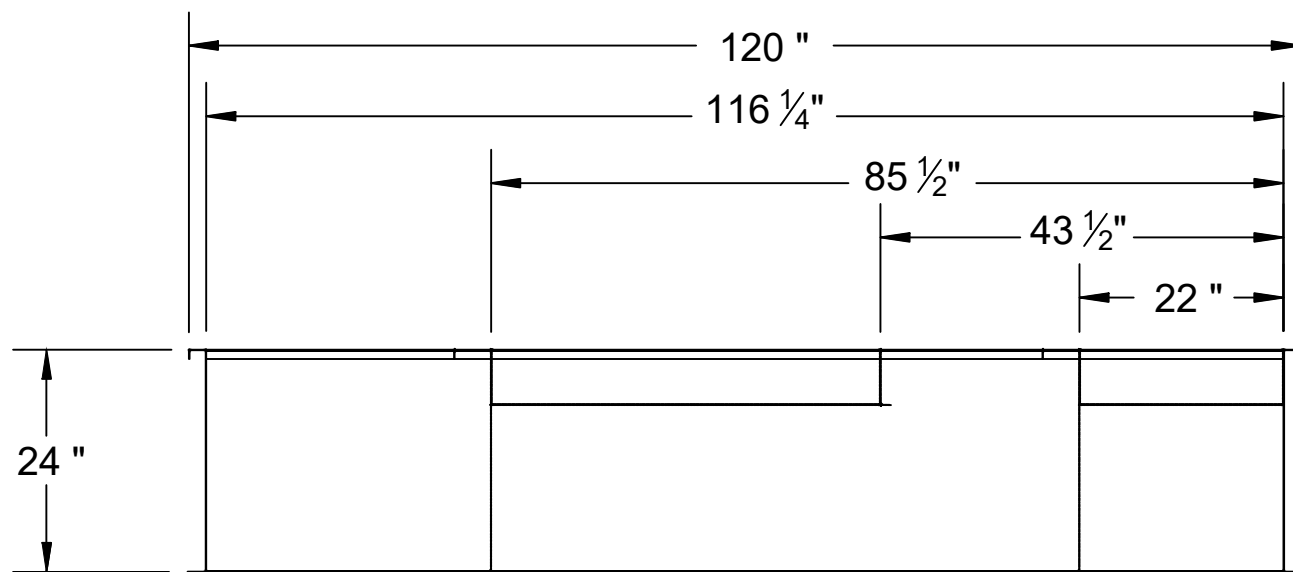
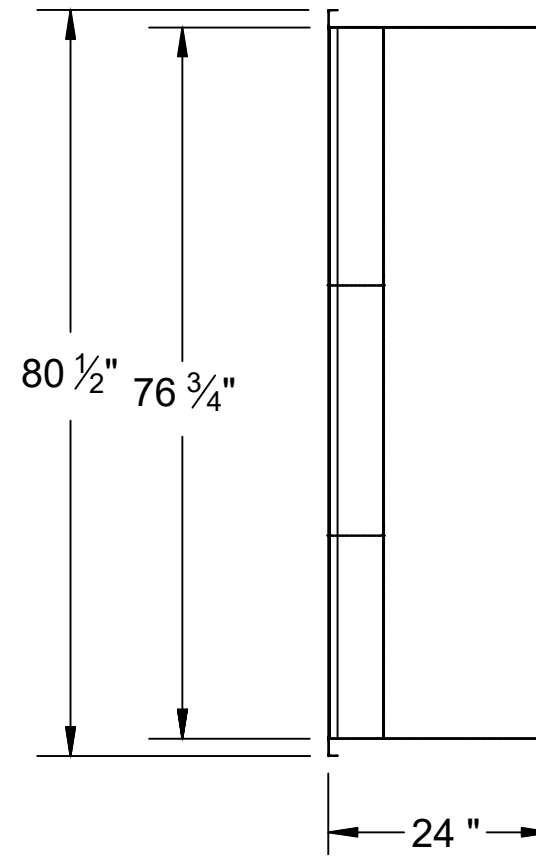
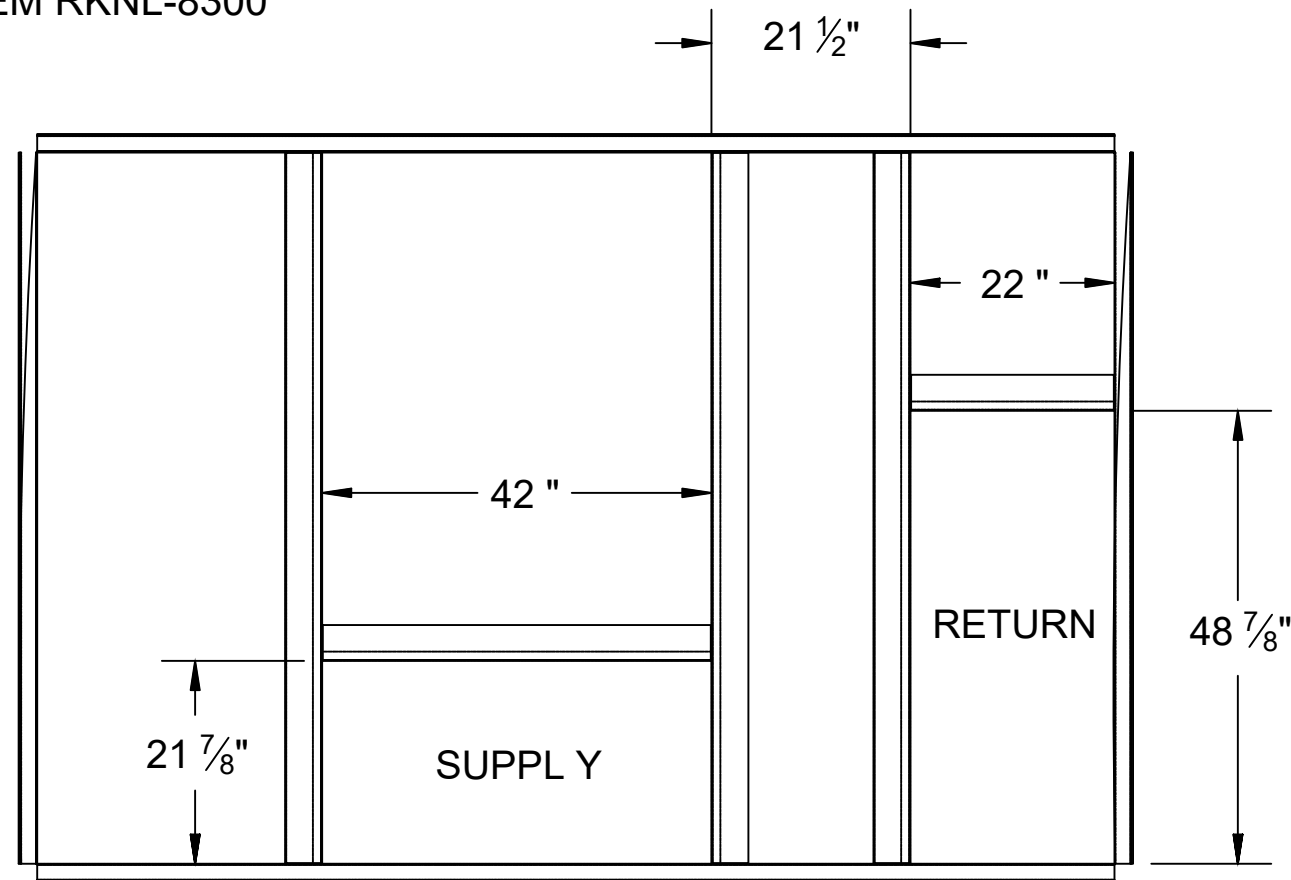


ARC- 6 / RHEEM RKNL-8300

THIS CURB FITS THE FOLLOWING UNITS:

15T
20T
25T




QTY:

TAG:

FEATURES:

- 16 GA WALLS
- 18 GA GALVANIZED INTERNALS
- 1X1 ANGLE AT CORNERS
- PT 1X4 WOOD NAILER
- 24 " HIGH - - FLAT
- 1 " NEOPRENE GASKET

PROJECT #:	DRAWN BY:	
JOB NAME:	DWG DATE:	
LOCATION:	SHEET: OF	